

**PRODUCT SPECIFICATIONS**

Dayton Stainless Steel 23-1/2" x 18-1/4" x 8", Single Bowl Undermount Sink. Sink is manufactured from 18 gauge 300 series Stainless Steel with a Soft Satin finish, Center drain placement, and Bottom only pads.

|                              |                                     |
|------------------------------|-------------------------------------|
| <b>Installation Type:</b>    | Undermount                          |
| <b>Material:</b>             | 300 series Stainless Steel          |
| <b>Finish:</b>               | Soft Satin                          |
| <b>Gauge:</b>                | 18                                  |
| <b>Sound Deadening:</b>      | Bottom only pads                    |
| <b>Number of Bowls:</b>      | 1                                   |
| <b>Sink Dimensions:</b>      | 23-1/2" x 18-1/4" x 8"              |
| <b>Bowl 1 Dimensions:</b>    | 21" x 15-3/4" x 8"                  |
| <b>Drain Size:</b>           | 3-1/2" (89mm)                       |
| <b>Drain Location:</b>       | Center                              |
| <b>Minimum Cabinet Size:</b> | 27"                                 |
| <b>Mounting Hardware:</b>    | Undermount brackets sold separately |
| <b>Cutout Template #:</b>    | <a href="#">1000000784</a>          |

Template is available for download at [elkay.com](#). CAD software will be required to open the template.

|   |  |
|---|--|
| <b>Custom Options</b>                             |  |
| <input type="checkbox"/> Type 316 Stainless Steel |  |
| <b>Drain Location</b>                             |  |
| <input type="checkbox"/> Right Rear               | <input type="checkbox"/> Left Rear         |
| <input type="checkbox"/> Center                   | <input type="checkbox"/> Center Rear       |
| <b>Overflow Location</b>                          |  |
| <input type="checkbox"/> Front                    | <input type="checkbox"/> Rear              |
| <b>Alternate Punching</b>                         |  |
| <input type="checkbox"/> Faucet Model:            | <input type="checkbox"/> Punch Required:   |
| <b>Sink Size</b>                                  |  |
| <input type="checkbox"/> Bowl Depth:              | <input type="checkbox"/> Drainboard Width: |



**AMERICAN PRIDE. A LIFETIME TRADITION.**

Like your family, the Elkay family has values and traditions that endure. For almost a century, Elkay has been a family-owned and operated company, providing thousands of jobs that support our families and communities.

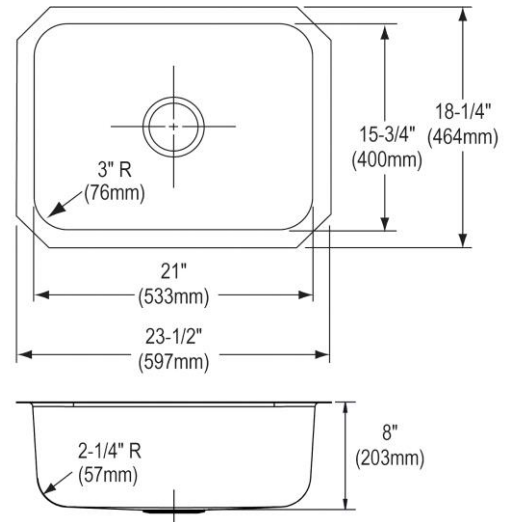


**Product Compliance:** ASME A112.19.3/CSA B45.4  
BUY AMERICAN ACT



Sinks are listed by IAPMO® as meeting the applicable requirements of the Uniform Plumbing Code®, International Plumbing Code®, and National Plumbing Code of Canada.

- [Clean and Care Manual \(PDF\)](#)
- [Installation Instructions \(PDF\)](#)
- [Warranty \(PDF\)](#)



PART: \_\_\_\_\_ QTY: \_\_\_\_\_

PROJECT: \_\_\_\_\_

CONTACT: \_\_\_\_\_

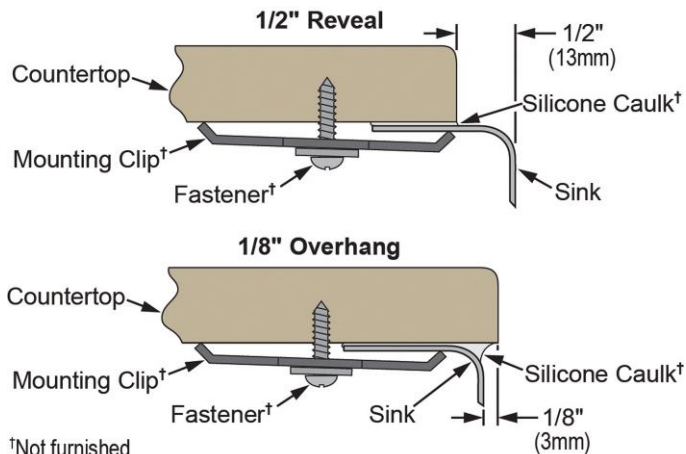
DATE: \_\_\_\_\_

NOTES: \_\_\_\_\_

APPROVAL: \_\_\_\_\_

*In keeping with our policy of continuing product improvement, Elkay reserves the right to change product specifications without notice. Please visit [elkay.com](#) for the most current version of Elkay product specification sheets. This specification describes an Elkay product with design, quality, and functional benefits to the user. When making a comparison of other producers' offerings, be certain these features are not overlooked.*

**Installation Profile:**



†Not furnished  
Designed to affix to the underside of any solid surface countertop.

**OPTIONAL ACCESSORIES**

|                     |           |
|---------------------|-----------|
| <b>Bottom Grid:</b> | GBG2115SS |
| <b>Drain:</b>       | D1125     |
| <b>Hardware:</b>    | LKUCLIP8  |

*In keeping with our policy of continuing product improvement, Elkay reserves the right to change product specifications without notice. Please visit [elkay.com](http://elkay.com) for the most current version of Elkay product specification sheets. This specification describes an Elkay product with design, quality, and functional benefits to the user. When making a comparison of other producers' offerings, be certain these features are not overlooked.*