



DEWALT

**IMPACT SOCKETS
& ACCESSORIES**

IMPACT SOCKETS



IMPACT SOCKETS

1/4" Drive Impact Socket Sets..... 46
 1/4" Drive Impact Sockets 47
 3/8" Drive Impact Socket Sets..... 49
 3/8" Drive Impact Sockets 50
 1/2" Drive Impact Socket Sets..... 52
 1/2" Drive Impact Sockets 55
 3/4" Drive Impact Sockets 58
 Impact Accessories 60

1/4" DRIVE IMPACT SOCKET SETS

- Heat treated CR-440 steel
- DirectTorque™ Technology
- Laser etched markings
- Black oxide coating
- O-ring and retaining pin compatible
- Light-weight carrying case with metal latches
- IP65 rated water seal

48 PIECE 1/4" DRIVE COMBINATION IMPACT SOCKET SET - 6 POINT

PRODUCT #	CONTENTS	DESCRIPTION	CONTENTS	DESCRIPTION
DWMT19251			DWMT17240	1/4" Drive Deep Impact Socket 6PT 1/2"
	DWMT17313	1/4" Drive Deep Impact Socket 6PT 4 mm	DWMT17322	1/4" Drive Deep Impact Socket 6PT 9/16"
	DWMT17312	1/4" Drive Deep Impact Socket 6PT 4.5 mm	DWMT17347	1/4" Drive Impact Socket 6PT 4 mm
	DWMT17316	1/4" Drive Deep Impact Socket 6PT 5 mm	DWMT17346	1/4" Drive Impact Socket 6PT 4.5 mm
	DWMT17314	1/4" Drive Deep Impact Socket 6PT 5.5 mm	DWMT19000	1/4" Drive Impact Socket 6PT 5 mm
	DWMT17317	1/4" Drive Deep Impact Socket 6PT 6 mm	DWMT17348	1/4" Drive Impact Socket 6PT 5.5 mm
	DWMT17320	1/4" Drive Deep Impact Socket 6PT 7 mm	DWMT19002	1/4" Drive Impact Socket 6PT 6 mm
	DWMT17321	1/4" Drive Deep Impact Socket 6PT 8 mm	DWMT19006	1/4" Drive Impact Socket 6PT 7 mm
	DWMT17324	1/4" Drive Deep Impact Socket 6PT 9 mm	DWMT19007	1/4" Drive Impact Socket 6PT 8 mm
	DWMT17242	1/4" Drive Deep Impact Socket 6PT 10 mm	DWMT19010	1/4" Drive Impact Socket 6PT 9 mm
	DWMT17244	1/4" Drive Deep Impact Socket 6PT 11 mm	DWMT17327	1/4" Drive Impact Socket 6PT 10 mm
	DWMT17245	1/4" Drive Deep Impact Socket 6PT 12 mm	DWMT17329	1/4" Drive Impact Socket 6PT 11 mm
	DWMT17246	1/4" Drive Deep Impact Socket 6PT 13 mm	DWMT17340	1/4" Drive Impact Socket 6PT 12 mm
	DWMT17247	1/4" Drive Deep Impact Socket 6PT 14 mm	DWMT17341	1/4" Drive Impact Socket 6PT 13 mm
	DWMT17248	1/4" Drive Deep Impact Socket 6PT 15 mm	DWMT17342	1/4" Drive Impact Socket 6PT 14 mm
	DWMT17249	1/4" Drive Deep Impact Socket 6PT 3/16"	DWMT17343	1/4" Drive Impact Socket 6PT 15 mm
	DWMT17319	1/4" Drive Deep Impact Socket 6PT 7/32"	DWMT17344	1/4" Drive Impact Socket 6PT 3/16"
	DWMT17241	1/4" Drive Deep Impact Socket 6PT 1/4"	DWMT19004	1/4" Drive Impact Socket 6PT 7/32"
	DWMT17323	1/4" Drive Deep Impact Socket 6PT 9/32"	DWMT17326	1/4" Drive Impact Socket 6PT 1/4"
	DWMT17315	1/4" Drive Deep Impact Socket 6PT 5/16"	DWMT19009	1/4" Drive Impact Socket 6PT 9/32"
	DWMT17243	1/4" Drive Deep Impact Socket 6PT 11/32"	DWMT17349	1/4" Drive Impact Socket 6PT 5/16"
	DWMT17311	1/4" Drive Deep Impact Socket 6PT 3/8"	DWMT17328	1/4" Drive Impact Socket 6PT 11/32"
	DWMT17318	1/4" Drive Deep Impact Socket 6PT 7/16"	DWMT17345	1/4" Drive Impact Socket 6PT 3/8"



CONTENTS	DESCRIPTION
DWMT19003	1/4" Drive Impact Socket 6PT 7/16"
DWMT17325	1/4" Drive Impact Socket 6PT 1/2"
DWMT19008	1/4" Drive Impact Socket 6PT 9/16"

1/4" DRIVE IMPACT SOCKETS

- Heat treated CR-440 steel
- DirectTorque™ Technology
- Laser etched markings
- Black oxide coating
- O-ring and retaining pin compatible



1/4" DRIVE IMPACT SOCKETS - 6 POINT

BULK PRODUCT #	SIZE	NUT END OUTSIDE DIA (B)	DRIVE END OUTSIDE DIA (C)	NUT DEPTH (D)	BOLT CLEARANCE DEPTH (E)	OVERALL LENGTH (L)	WEIGHT
DWMT17344B	3/16"	11/32"	1/2"	13/32"	5/16"	29/32"	0.03 lbs
DWMT19004B	7/32"	3/8"	1/2"	13/32"	5/16"	29/32"	0.04 lbs
DWMT17326B	1/4"	13/32"	1/2"	7/16"	5/16"	29/32"	0.03 lbs
DWMT19009B	9/32"	7/16"	1/2"	7/16"	5/16"	29/32"	0.03 lbs
DWMT17349B	5/16"	15/32"	1/2"	7/16"	5/16"	29/32"	0.03 lbs
DWMT17328B	11/32"	1/2"	1/2"	7/16"	5/16"	29/32"	0.03 lbs
DWMT17345B	3/8"	9/16"	1/2"	7/16"	5/16"	29/32"	0.03 lbs
DWMT19003B	7/16"	5/8"	1/2"	7/16"	5/16"	29/32"	0.04 lbs
DWMT17325B	1/2"	23/32"	1/2"	7/16"	5/16"	29/32"	0.04 lbs
DWMT19008B	9/16"	25/32"	1/2"	7/16"	5/16"	29/32"	0.05 lbs

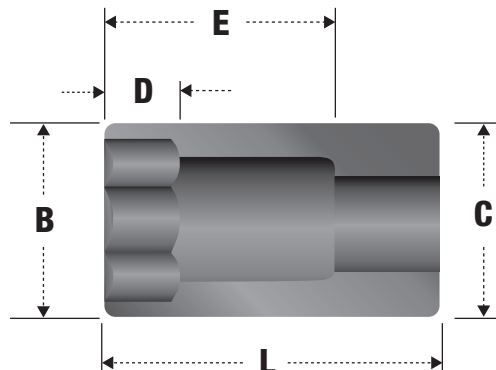
ASME B107.110

1/4" DRIVE METRIC IMPACT SOCKETS - 6 POINT



BULK PRODUCT #	SIZE	NUT END OUTSIDE DIA (B)	DRIVE END OUTSIDE DIA (C)	NUT DEPTH (D)	BOLT CLEARANCE DEPTH (E)	OVERALL LENGTH (L)	WEIGHT
DWMT17347B	4 mm	9/32"	1/2"	3/16"	11/32"	29/32"	0.04 lbs
DWMT17346B	4.5 mm	5/16"	1/2"	3/16"	11/32"	29/32"	0.04 lbs
DWMT19000B	5 mm	11/32"	1/2"	1/4"	11/32"	29/32"	0.04 lbs
DWMT17348B	5.5 mm	3/8"	1/2"	1/4"	11/32"	29/32"	0.03 lbs
DWMT19002B	6 mm	3/8"	1/2"	5/16"	11/32"	29/32"	0.03 lbs
DWMT19006B	7 mm	7/16"	1/2"	5/16"	11/32"	29/32"	0.03 lbs
DWMT19007B	8 mm	15/32"	1/2"	5/16"	11/32"	29/32"	0.03 lbs
DWMT19010B	9 mm	17/32"	1/2"	5/16"	11/32"	29/32"	0.03 lbs
DWMT17327B	10 mm	9/16"	1/2"	5/16"	11/32"	29/32"	0.03 lbs
DWMT17329B	11 mm	5/8"	1/2"	11/32"	11/32"	29/32"	0.04 lbs
DWMT17340B	12 mm	21/32"	1/2"	11/32"	11/32"	29/32"	0.04 lbs
DWMT17341B	13 mm	3/4"	1/2"	11/32"	7/16"	29/32"	0.04 lbs
DWMT17342B	14 mm	25/32"	1/2"	11/32"	7/16"	29/32"	0.05 lbs
DWMT17343B	15 mm	13/16"	1/2"	11/32"	7/16"	29/32"	0.05 lbs

ASME B107.110



1/4" DRIVE IMPACT SOCKETS

- Heat treated CR-440 steel
- DirectTorque™ Technology
- Laser etched markings
- Black oxide coating
- O-ring and retaining pin compatible



1/4" DRIVE DEEP IMPACT SOCKETS - 6 POINT

BULK PRODUCT #	SIZE	NUT END OUTSIDE DIA (B)	DRIVE END OUTSIDE DIA (C)	NUT DEPTH (D)	BOLT CLEARANCE DEPTH (E)	OVERALL LENGTH (L)	WEIGHT
DWMT17249B	3/16"	11/32"	1/2"	11/32"	1-3/16"	1-31/32"	0.06 lbs
DWMT17319B	7/32"	3/8"	1/2"	11/32"	1-3/16"	1-31/32"	0.07 lbs
DWMT17241B	1/4"	13/32"	1/2"	7/16"	1-3/16"	1-31/32"	0.07 lbs
DWMT17323B	9/32"	7/16"	1/2"	7/16"	1-3/16"	1-31/32"	0.07 lbs
DWMT17315B	5/16"	15/32"	1/2"	1/2"	1-3/16"	1-31/32"	0.07 lbs
DWMT17243B	11/32"	17/32"	1/2"	1/2"	1-5/16"	1-31/32"	0.08 lbs
DWMT17311B	3/8"	9/16"	1/2"	1/2"	1-5/16"	1-31/32"	0.09 lbs
DWMT17318B	7/16"	5/8"	1/2"	1/2"	1-5/16"	1-31/32"	0.09 lbs
DWMT17240B	1/2"	3/4"	1/2"	1/2"	1-5/16"	1-31/32"	0.12 lbs
DWMT17322B	9/16"	25/32"	1/2"	1/2"	1-5/16"	1-31/32"	0.13 lbs

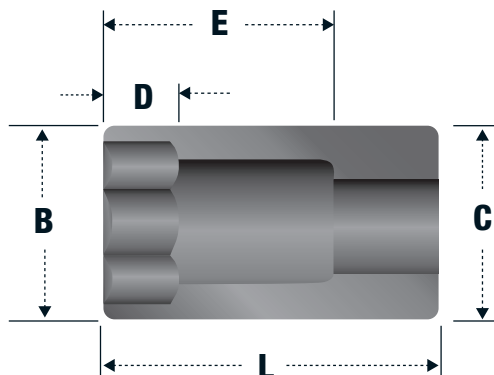
ASME B107.110

1/4" DRIVE DEEP METRIC IMPACT SOCKETS - 6 POINT



BULK PRODUCT #	SIZE	NUT END OUTSIDE DIA (B)	DRIVE END OUTSIDE DIA (C)	NUT DEPTH (D)	BOLT CLEARANCE DEPTH (E)	OVERALL LENGTH (L)	WEIGHT
DWMT17313B	4 mm	9/32"	1/2"	9/32"	1-3/16"	1-31/32"	0.06 lbs
DWMT17312B	4.5 mm	5/16"	1/2"	5/16"	1-3/16"	1-31/32"	0.06 lbs
DWMT17316B	5 mm	11/32"	1/2"	11/32"	1-3/16"	1-31/32"	0.06 lbs
DWMT17314B	5.5 mm	3/8"	1/2"	11/32"	1-3/16"	1-31/32"	0.07 lbs
DWMT17317B	6 mm	3/8"	1/2"	7/16"	1-3/16"	1-31/32"	0.07 lbs
DWMT17320B	7 mm	7/16"	1/2"	7/16"	1-3/16"	1-31/32"	0.07 lbs
DWMT17321B	8 mm	15/32"	1/2"	1/2"	1-3/16"	1-31/32"	0.07 lbs
DWMT17324B	9 mm	17/32"	1/2"	1/2"	1-5/16"	1-31/32"	0.08 lbs
DWMT17242B	10 mm	9/16"	1/2"	1/2"	1-5/16"	1-31/32"	0.08 lbs
DWMT17244B	11 mm	5/8"	1/2"	1/2"	1-5/16"	1-31/32"	0.10 lbs
DWMT17245B	12 mm	21/32"	1/2"	1/2"	1-5/16"	1-31/32"	0.10 lbs
DWMT17246B	13 mm	3/4"	1/2"	1/2"	1-5/16"	1-31/32"	0.13 lbs
DWMT17247B	14 mm	25/32"	1/2"	1/2"	1-5/16"	1-31/32"	0.13 lbs
DWMT17248B	15 mm	13/16"	1/2"	1/2"	1-5/16"	1-31/32"	0.15 lbs

ASME B107.110



3/8" DRIVE IMPACT SOCKET SETS

- Heat treated CR-440 steel
- DirectTorque™ Technology
- Laser etched markings
- Black oxide coating
- O-ring and retaining pin compatible

42 PIECE 3/8" DRIVE COMBINATION IMPACT SOCKET SET - 6 POINT

- Light-weight carrying case with metal latches
- IP65 rated water seal

PRODUCT #	CONTENTS	DESCRIPTION	CONTENTS	DESCRIPTION
DWMT19248			DWMT19211	3/8" Drive Impact Socket 6PT 9 mm
DWMT19224	3/8" Deep Impact Socket 6PT 8 mm		DWMT19197	3/8" Drive Impact Socket 6PT 10 mm
DWMT19225	3/8" Deep Impact Socket 6PT 9 mm		DWMT19198	3/8" Drive Impact Socket 6PT 11 mm
DWMT19213	3/8" Deep Impact Socket 6PT 10 mm		DWMT74491	3/8" Drive Impact Socket 6PT 12 mm
DWMT19214	3/8" Deep Impact Socket 6PT 11 mm		DWMT74492	3/8" Drive Impact Socket 6PT 13 mm
DWMT19215	3/8" Deep Impact Socket 6PT 12 mm		DWMT74493	3/8" Drive Impact Socket 6PT 14 mm
DWMT19216	3/8" Deep Impact Socket 6PT 13 mm		DWMT74494	3/8" Drive Impact Socket 6PT 15 mm
DWMT19217	3/8" Deep Impact Socket 6PT 14 mm		DWMT74495	3/8" Drive Impact Socket 6PT 16 mm
DWMT19218	3/8" Deep Impact Socket 6PT 15 mm		DWMT74496	3/8" Drive Impact Socket 6PT 17 mm
DWMT19219	3/8" Deep Impact Socket 6PT 16 mm		DWMT74497	3/8" Drive Impact Socket 6PT 18 mm
DWMT19220	3/8" Deep Impact Socket 6PT 17 mm		DWMT74498	3/8" Drive Impact Socket 6PT 19 mm
DWMT19221	3/8" Deep Impact Socket 6PT 18 mm		DWMT19208	3/8" Drive Impact Socket 6PT 5/16
DWMT19222	3/8" Deep Impact Socket 6PT 19 mm		DWMT74478	3/8" Drive Impact Socket 6PT 3/8"
DWMT19055	3/8" Drive Deep Impact Socket 6PT 5/16"		DWMT74479	3/8" Drive Impact Socket 6PT 7/16"
DWMT19163	3/8" Drive Deep Impact Socket 6PT 3/8"		DWMT74481	3/8" Drive Impact Socket 6PT 1/2"
DWMT19223	3/8" Drive Deep Impact Socket 6PT 7/16"		DWMT74482	3/8" Drive Impact Socket 6PT 9/16"
DWMT19052	3/8" Drive Deep Impact Socket 6PT 1/2"		DWMT74483	3/8" Drive Impact Socket 6PT 5/8"
DWMT19162	3/8" Drive Deep Impact Socket 6PT 9/16"		DWMT74484	3/8" Drive Impact Socket 6PT 11/16"
DWMT19056	3/8" Drive Deep Impact Socket 6PT 5/8"		DWMT74486	3/8" Drive Impact Socket 6PT 3/4"
DWMT19053	3/8" Drive Deep Impact Socket 6PT 11/16"		DWMT17162	3/8" Drive Impact Extension 3"
DWMT19054	3/8" Drive Deep Impact Socket 6PT 3/4"		DWMT17165	3/8" Drive Impact Universal Joint
DWMT19209	3/8" Drive Impact Socket 6PT 8 mm			



12 PIECE 3/8" DRIVE IMPACT UNIVERSAL SOCKET SET

- Light-weight aluminum rail
- Easy slide clips

PRODUCT #	CONTENTS	DESCRIPTION	CONTENTS	DESCRIPTION
DWMT19228			DWMT19171	3/8" Drive Impact Universal Socket 11/16"
DWMT19185	3/8" Drive Impact Universal Socket 5/16"		DWMT19184	3/8" Drive Impact Universal Socket 3/4"
DWMT19051	3/8" Drive Impact Universal Socket 3/8		DWMT19174	3/8" Drive Impact Universal Socket 13/16"
DWMT19187	3/8" Drive Impact Universal Socket 7/16"		DWMT19195	3/8" Drive Impact Universal Socket 7/8"
DWMT19169	3/8" Drive Impact Universal Socket 1/2"		DWMT19177	3/8" Drive Impact Universal Socket 15/16"
DWMT19196	3/8" Drive Impact Universal Socket 9/16"		DWMT19168	3/8" Drive Impact Universal Socket 1"
DWMT19186	3/8" Drive Impact Universal Socket 5/8"			



10 PIECE 3/8" DRIVE METRIC IMPACT UNIVERSAL SOCKET SET

- Light-weight aluminum rail
- Easy slide clips

PRODUCT #	CONTENTS	DESCRIPTION	CONTENTS	DESCRIPTION
DWMT19226			DWMT19178	3/8" Drive Impact Universal Socket 15 mm
DWMT19170	3/8" Drive Impact Universal Socket 10 mm		DWMT19179	3/8" Drive Impact Universal Socket 16 mm
DWMT19172	3/8" Drive Impact Universal Socket 11 mm		DWMT19181	3/8" Drive Impact Universal Socket 17 mm
DWMT19173	3/8" Drive Impact Universal Socket 12 mm		DWMT19182	3/8" Drive Impact Universal Socket 18 mm
DWMT19175	3/8" Drive Impact Universal Socket 13 mm		DWMT19183	3/8" Drive Impact Universal Socket 19 mm
DWMT19176	3/8" Drive Impact Universal Socket 14 mm			



3/8" DRIVE IMPACT SOCKETS

- Heat treated CR-440 steel
- DirectTorque™ Technology
- Laser etched markings
- Black oxide coating
- O-ring and retaining pin compatible



3/8" DRIVE IMPACT SOCKETS - 6 POINT

BULK PRODUCT #	SIZE	NUT END OUTSIDE DIA (B)	DRIVE END OUTSIDE DIA (C)	NUT DEPTH (D)	BOLT CLEARANCE DEPTH (E)	OVERALL LENGTH (L)	WEIGHT
DWMT19208B	5/16"	1/2"	3/4"	9/32"	1/2"	1-5/32"	0.07 lbs
DWMT74478B	3/8"	9/16"	3/4"	5/16"	1/2"	1-5/32"	0.07 lbs
DWMT74479B	7/16"	11/16"	3/4"	11/32"	1/2"	1-5/32"	0.08 lbs
DWMT74481B	1/2"	3/4"	3/4"	11/32"	1/2"	1-5/32"	0.08 lbs
DWMT74482B	9/16"	25/32"	3/4"	11/32"	1/2"	1-5/32"	0.09 lbs
DWMT74483B	5/8"	15/16"	7/8"	7/16"	1/2"	1-3/16"	0.16 lbs
DWMT74484B	11/16"	31/32"	7/8"	7/16"	1/2"	1-3/16"	0.14 lbs
DWMT74486B	3/4"	1-1/16"	7/8"	1/2"	9/16"	1-3/16"	0.16 lbs
DWMT74487B	13/16"	1-3/16"	7/8"	1/2"	9/16"	1-3/16"	0.19 lbs
DWMT74488B	7/8"	1-1/4"	7/8"	1/2"	9/16"	1-3/16"	0.22 lbs
DWMT19049B	15/16"	1-11/32"	7/8"	1/2"	9/16"	1-3/16"	0.24 lbs
DWMT74489B	1"	1-13/32"	7/8"	1/2"	9/16"	1-3/16"	0.34 lbs

ASME B107.110



3/8" DRIVE METRIC IMPACT SOCKETS - 6 POINT

BULK PRODUCT #	SIZE	NUT END OUTSIDE DIA (B)	DRIVE END OUTSIDE DIA (C)	NUT DEPTH (D)	BOLT CLEARANCE DEPTH (E)	OVERALL LENGTH (L)	WEIGHT
DWMT19050B	7 mm	7/16"	3/4"	9/32"	1/2"	1-5/32"	0.07 lbs
DWMT19209B	8 mm	1/2"	3/4"	9/32"	1/2"	1-5/32"	0.07 lbs
DWMT19211B	9 mm	9/16"	3/4"	5/16"	1/2"	1-5/32"	0.07 lbs
DWMT19197B	10 mm	19/32"	3/4"	5/16"	1/2"	1-5/32"	0.07 lbs
DWMT19198B	11 mm	21/32"	3/4"	11/32"	1/2"	1-5/32"	0.08 lbs
DWMT74491B	12 mm	23/32"	3/4"	11/32"	1/2"	1-5/32"	0.09 lbs
DWMT74492B	13 mm	3/4"	3/4"	11/32"	1/2"	1-5/32"	0.08 lbs
DWMT74493B	14 mm	25/32"	3/4"	11/32"	1/2"	1-5/32"	0.09 lbs
DWMT74494B	15 mm	7/8"	3/4"	7/16"	1/2"	1-5/32"	0.12 lbs
DWMT74495B	16 mm	15/16"	7/8"	7/16"	9/16"	1-3/16"	0.15 lbs
DWMT74496B	17 mm	31/32"	7/8"	7/16"	9/16"	1-3/16"	0.14 lbs
DWMT74497B	18 mm	1-1/32"	7/8"	7/16"	5/8"	1-3/16"	0.16 lbs
DWMT74498B	19 mm	1-1/16"	7/8"	1/2"	21/32"	1-3/16"	0.16 lbs

ASME B107.110



3/8" DRIVE DEEP IMPACT SOCKETS - 6 POINT

BULK PRODUCT #	SIZE	NUT END OUTSIDE DIA (B)	DRIVE END OUTSIDE DIA (C)	NUT DEPTH (D)	BOLT CLEARANCE DEPTH (E)	OVERALL LENGTH (L)	WEIGHT
DWMT19055B	5/16"	1/2"	3/4"	15/32"	1-3/16"	2-15/32"	0.21 lbs
DWMT19163B	3/8"	9/16"	3/4"	23/32"	1-3/16"	2-15/32"	0.21 lbs
DWMT19223B	7/16"	11/16"	3/4"	23/32"	1-3/16"	2-15/32"	0.20 lbs
DWMT19052B	1/2"	3/4"	3/4"	7/8"	1-3/16"	2-15/32"	0.18 lbs
DWMT19162B	9/16"	25/32"	3/4"	15/16"	1-3/16"	2-15/32"	0.19 lbs
DWMT19056B	5/8"	15/16"	7/8"	31/32"	1-3/16"	2-15/32"	0.28 lbs
DWMT19053B	11/16"	31/32"	7/8"	31/32"	1-5/16"	2-15/32"	0.27 lbs
DWMT19054B	3/4"	1-1/16"	7/8"	31/32"	1-5/16"	2-15/32"	0.32 lbs
DWMT19165B	13/16"	1-3/16"	7/8"	31/32"	1-5/16"	2-15/32"	0.36 lbs
DWMT19167B	7/8"	1-1/4"	7/8"	31/32"	1-5/16"	2-15/32"	0.43 lbs
DWMT19166B	15/16"	1-11/32"	7/8"	31/32"	1-5/16"	2-15/32"	0.47 lbs
DWMT19164B	1"	1-13/32"	7/8"	31/32"	1-5/16"	2-15/32"	0.55 lbs

ASME B107.110

3/8" DRIVE IMPACT SOCKETS

- Heat treated CR-440 steel
- DirectTorque™ Technology
- Laser etched markings
- Black oxide coating
- O-ring and retaining pin compatible

3/8" DRIVE DEEP METRIC IMPACT SOCKETS - 6 POINT



BULK PRODUCT #	SIZE	NUT END OUTSIDE DIA (B)	DRIVE END OUTSIDE DIA (C)	NUT DEPTH (D)	BOLT CLEARANCE DEPTH (E)	OVERALL LENGTH (L)	WEIGHT
DWMT19224B	8 mm	1/2"	3/4"	15/32"	1-3/16"	2-15/32"	0.21 lbs
DWMT19225B	9 mm	9/16"	3/4"	15/32"	1-3/16"	2-15/32"	0.21 lbs
DWMT19213B	10 mm	19/32"	3/4"	23/32"	1-3/16"	2-15/32"	0.20 lbs
DWMT19214B	11 mm	21/32"	3/4"	23/32"	1-3/16"	2-15/32"	0.20 lbs
DWMT19215B	12 mm	23/32"	3/4"	25/32"	1-3/16"	2-15/32"	0.19 lbs
DWMT19216B	13 mm	3/4"	3/4"	7/8"	1-3/16"	2-15/32"	0.18 lbs
DWMT19217B	14 mm	25/32"	3/4"	15/16"	1-3/16"	2-15/32"	0.19 lbs
DWMT19218B	15 mm	7/8"	3/4"	31/32"	1-3/16"	2-15/32"	0.25 lbs
DWMT19219B	16 mm	15/16"	7/8"	31/32"	1-3/16"	2-15/32"	0.29 lbs
DWMT19220B	17 mm	31/32"	7/8"	31/32"	1-5/16"	2-15/32"	0.28 lbs
DWMT19221B	18 mm	1-1/32"	7/8"	31/32"	1-5/16"	2-15/32"	0.30 lbs
DWMT19222B	19 mm	1-1/16"	7/8"	31/32"	1-5/16"	2-15/32"	0.31 lbs

ASME B107.110

3/8" DRIVE UNIVERSAL IMPACT SOCKETS - 6 POINT



BULK PRODUCT #	SIZE	NUT END OUTSIDE DIA (B)	DRIVE END OUTSIDE DIA (C)	NUT DEPTH (D)	BOLT CLEARANCE DEPTH (E)	OVERALL LENGTH (L)	WEIGHT
DWMT19185B	5/16"	11/32"	7/8"	9/16"	9/16"	2-5/32"	0.20 lbs
DWMT19051B	3/8"	11/32"	7/8"	19/32"	19/32"	2-5/32"	0.24 lbs
DWMT19187B	7/16"	11/32"	7/8"	21/32"	21/32"	2-5/32"	0.25 lbs
DWMT19169B	1/2"	15/32"	7/8"	3/4"	3/4"	2-5/32"	0.25 lbs
DWMT19196B	9/16"	1/2"	7/8"	13/16"	13/16"	2-5/32"	0.26 lbs
DWMT19186B	5/8"	1/2"	7/8"	29/32"	29/32"	2-5/32"	0.27 lbs
DWMT19171B	11/16"	1/2"	7/8"	31/32"	31/32"	2-5/32"	0.28 lbs
DWMT19184B	3/4"	1/2"	7/8"	1-1/16"	1-1/16"	2-5/32"	0.29 lbs
DWMT19174B	13/16"	1/2"	7/8"	1-3/16"	1-3/16"	2-5/32"	0.32 lbs
DWMT19195B	7/8"	1/2"	7/8"	1-1/4"	1-1/4"	2-5/32"	0.32 lbs
DWMT19177B	15/16"	1/2"	7/8"	1-11/32"	1-11/32"	2-5/32"	0.37 lbs
DWMT19168B	1"	1/2"	7/8"	1-13/32"	1-13/32"	2-5/32"	0.40 lbs

ASME B107.110

3/8" DRIVE UNIVERSAL METRIC IMPACT SOCKETS - 6 POINT



BULK PRODUCT #	SIZE	NUT END OUTSIDE DIA (B)	DRIVE END OUTSIDE DIA (C)	NUT DEPTH (D)	BOLT CLEARANCE DEPTH (E)	OVERALL LENGTH (L)	WEIGHT
DWMT19170B	10 mm	11/32"	7/8"	19/32"	19/32"	2-5/32"	0.24 lbs
DWMT19172B	11 mm	11/32"	7/8"	21/32"	21/32"	2-5/32"	0.21 lbs
DWMT19173B	12 mm	15/32"	7/8"	3/4"	3/4"	2-5/32"	0.21 lbs
DWMT19175B	13 mm	1/2"	7/8"	3/4"	3/4"	2-5/32"	0.21 lbs
DWMT19176B	14 mm	1/2"	7/8"	13/16"	13/16"	2-5/32"	0.26 lbs
DWMT19178B	15 mm	1/2"	7/8"	7/8"	7/8"	2-5/32"	0.33 lbs
DWMT19179B	16 mm	1/2"	7/8"	29/32"	29/32"	2-5/32"	0.27 lbs
DWMT19181B	17 mm	1/2"	7/8"	31/32"	31/32"	2-5/32"	0.28 lbs
DWMT19182B	18 mm	1/2"	7/8"	31/32"	31/32"	2-5/32"	0.27 lbs
DWMT19183B	19 mm	1/2"	7/8"	1-1/16"	1-1/16"	2-5/32"	0.37 lbs

ASME B107.110

1/2" DRIVE IMPACT SOCKET SETS

- Heat treated CR-440 steel
- DirectTorque™ Technology
- Laser etched markings
- Black oxide coating
- O-ring and retaining pin compatible
- Light-weight carrying case with metal latches
- IP65 rated water seal

30 PIECE 1/2" DRIVE COMBINATION IMPACT SOCKET SET - 6 POINT

PRODUCT #	CONTENTS	DESCRIPTION	CONTENTS	DESCRIPTION
DWMT19249			DWMT73944	1/2" Drive Impact Deep Socket 6PT 11 mm
	DWMT17157	1/2" Drive Impact Socket 6PT 10 mm	DWMT73945	1/2" Drive Impact Deep Socket 6PT 12 mm
	DWMT19203	1/2" Drive Impact Socket 6PT 11 mm	DWMT17213	1/2" Drive Impact Deep Socket 6PT 13 mm
	DWMT17186	1/2" Drive Impact Socket 6PT 12 mm	DWMT73947	1/2" Drive Impact Deep Socket 6PT 14 mm
	DWMT74660	1/2" Drive Impact Socket 6PT 13 mm	DWMT75126	1/2" Drive Impact Deep Socket 6PT 15 mm
	DWMT75102	1/2" Drive Impact Socket 6PT 14 mm	DWMT73948	1/2" Drive Impact Deep Socket 6PT 16 mm
	DWMT75103	1/2" Drive Impact Socket 6PT 15 mm	DWMT73949	1/2" Drive Impact Deep Socket 6PT 17 mm
	DWMT75105	1/2" Drive Impact Socket 6PT 16 mm	DWMT17214	1/2" Drive Impact Deep Socket 6PT 18 mm
	DWMT75106	1/2" Drive Impact Socket 6PT 17 mm	DWMT73950	1/2" Drive Impact Deep Socket 6PT 19 mm
	DWMT75108	1/2" Drive Impact Socket 6PT 18 mm	DWMT75128	1/2" Drive Impact Deep Socket 6PT 20 mm
	DWMT75109	1/2" Drive Impact Socket 6PT 19 mm	DWMT73951	1/2" Drive Impact Deep Socket 6PT 21 mm
	DWMT75110	1/2" Drive Impact Socket 6PT 20 mm	DWMT73952	1/2" Drive Impact Deep Socket 6PT 22 mm
	DWMT75111	1/2" Drive Impact Socket 6PT 21 mm	DWMT17215	1/2" Drive Impact Deep Socket 6PT 24 mm
	DWMT75112	1/2" Drive Impact Socket 6PT 22 mm	DWMT19200	1/2" Impact Socket Extension 2"
	DWMT17190	1/2" Drive Impact Socket 6PT 24 mm	DWMT75366	1/2" Drive Impact Universal Joint
	DWMT73943	1/2" Drive Impact Deep Socket 6PT 10 mm		



28 PIECE 1/2" DRIVE STANDARD & DEEP IMPACT SOCKET SET - 6 POINT

PRODUCT #	CONTENTS	DESCRIPTION	CONTENTS	DESCRIPTION
DWMT19244			DWMT73935	1/2" Drive Impact Deep Socket 6PT 9/16"
	DWMT75120	1/2" Drive Impact Socket 6PT 7/16"	DWMT73936	1/2" Drive Impact Deep Socket 6PT 5/8"
	DWMT74654	1/2" Drive Impact Socket 6PT 1/2"	DWMT73940	1/2" Drive Impact Deep Socket 6PT 7/8"
	DWMT75122	1/2" Drive Impact Socket 6PT 9/16"	DWMT73937	1/2" Drive Impact Deep Socket 6PT 11/16"
	DWMT75118	1/2" Drive Impact Socket 6PT 5/8"	DWMT73938	1/2" Drive Impact Deep Socket 6PT 3/4"
	DWMT74655	1/2" Drive Impact Socket 6PT 11/16"	DWMT17232	1/2" Drive Impact Deep Socket 6PT 13/16"
	DWMT75113	1/2" Drive Impact Socket 6PT 3/4"	DWMT73941	1/2" Drive Impact Deep Socket 6PT 15/16"
	DWMT74661	1/2" Drive Impact Socket 6PT 13/16"	DWMT73942	1/2" Drive Impact Deep Socket 6PT 1"
	DWMT75121	1/2" Drive Impact Socket 6PT 7/8"	DWMT74656	1/2" Drive Impact Deep Socket 6PT 1-1/16"
	DWMT75104	1/2" Drive Impact Socket 6PT 15/16"	DWMT74659	1/2" Drive Impact Deep Socket 6PT 1-1/8"
	DWMT75119	1/2" Drive Impact Socket 6PT 1"	DWMT17228	1/2" Drive Impact Deep Socket 6PT 1-3/16"
	DWMT17233	1/2" Drive Impact Socket 6PT 1-1/16"	DWMT74658	1/2" Drive Impact Deep Socket 6PT 1-1/4"
	DWMT75125	1/2" Drive Impact Socket 6PT 1-1/8"	DWMT19200	1/2" Impact Socket Extension 2"
	DWMT73933	1/2" Drive Impact Deep Socket 6PT 7/16"	DWMT75366	1/2" Drive Impact Universal Joint
	DWMT73934	1/2" Drive Impact Deep Socket 6PT 1/2"		



1/2" DRIVE IMPACT SOCKET SETS

- Heat treated CR-440 steel
- DirectTorque™ Technology
- Laser etched markings
- Black oxide coating
- O-ring and retaining pin compatible
- Light-weight aluminum rail
- Easy slide clips

26 PIECE 1/2" DRIVE METRIC IMPACT SOCKET SET - 6 POINT



PRODUCT #	CONTENTS	DESCRIPTION
DWMT19243		
	DWMT17157	1/2" Drive Impact Socket 6PT 10 mm
	DWMT19203	1/2" Drive Impact Socket 6PT 11 mm
	DWMT17186	1/2" Drive Impact Socket 6PT 12 mm
	DWMT74660	1/2" Drive Impact Socket 6PT 13 mm
	DWMT75102	1/2" Drive Impact Socket 6PT 14 mm
	DWMT75103	1/2" Drive Impact Socket 6PT 15 mm
	DWMT75105	1/2" Drive Impact Socket 6PT 16 mm
	DWMT75106	1/2" Drive Impact Socket 6PT 17 mm

CONTENTS	DESCRIPTION
DWMT75108	1/2" Drive Impact Socket 6PT 18 mm
DWMT75109	1/2" Drive Impact Socket 6PT 19 mm
DWMT75110	1/2" Drive Impact Socket 6PT 20 mm
DWMT75111	1/2" Drive Impact Socket 6PT 21 mm
DWMT75112	1/2" Drive Impact Socket 6PT 22 mm
DWMT17187	1/2" Drive Impact Socket 6PT 23 mm
DWMT17190	1/2" Drive Impact Socket 6PT 24 mm
DWMT17191	1/2" Drive Impact Socket 6PT 25 mm
DWMT17192	1/2" Drive Impact Socket 6PT 26 mm

CONTENTS	DESCRIPTION
DWMT17193	1/2" Drive Impact Socket 6PT 27 mm
DWMT17194	1/2" Drive Impact Socket 6PT 28 mm
DWMT17195	1/2" Drive Impact Socket 6PT 29 mm
DWMT17196	1/2" Drive Impact Socket 6PT 30 mm
DWMT17198	1/2" Drive Impact Socket 6PT 32 mm
DWMT17207	1/2" Drive Impact Socket 6PT 33 mm
DWMT17208	1/2" Drive Impact Socket 6PT 34 mm
DWMT17209	1/2" Drive Impact Socket 6PT 35 mm
DWMT17210	1/2" Drive Impact Socket 6PT 36 mm

26 PIECE 1/2" DRIVE DEEP METRIC IMPACT SOCKET SET - 6 POINT



PRODUCT #	CONTENTS	DESCRIPTION
DWMT19242		
	DWMT73943	1/2" Drive Impact Deep Socket 6PT 10 mm
	DWMT73944	1/2" Drive Impact Deep Socket 6PT 11 mm
	DWMT73945	1/2" Drive Impact Deep Socket 6PT 12 mm
	DWMT17213	1/2" Drive Impact Deep Socket 6PT 13 mm
	DWMT73947	1/2" Drive Impact Deep Socket 6PT 14 mm
	DWMT75126	1/2" Drive Impact Deep Socket 6PT 15 mm
	DWMT73948	1/2" Drive Impact Deep Socket 6PT 16 mm
	DWMT73949	1/2" Drive Impact Deep Socket 6PT 17 mm

CONTENTS	DESCRIPTION
DWMT17214	1/2" Drive Impact Deep Socket 6PT 18 mm
DWMT73950	1/2" Drive Impact Deep Socket 6PT 19 mm
DWMT75128	1/2" Drive Impact Deep Socket 6PT 20 mm
DWMT73951	1/2" Drive Impact Deep Socket 6PT 21 mm
DWMT73952	1/2" Drive Impact Deep Socket 6PT 22 mm
DWMT17185	1/2" Drive Impact Deep Socket 6PT 23 mm
DWMT17215	1/2" Drive Impact Deep Socket 6PT 24 mm
DWMT17216	1/2" Drive Impact Deep Socket 6PT 25 mm
DWMT17217	1/2" Drive Impact Deep Socket 6PT 26 mm

CONTENTS	DESCRIPTION
DWMT17218	1/2" Drive Impact Deep Socket 6PT 27 mm
DWMT17219	1/2" Drive Impact Deep Socket 6PT 28 mm
DWMT17220	1/2" Drive Impact Deep Socket 6PT 29 mm
DWMT17221	1/2" Drive Impact Deep Socket 6PT 30 mm
DWMT17222	1/2" Drive Impact Deep Socket 6PT 32 mm
DWMT17223	1/2" Drive Impact Deep Socket 6PT 33 mm
DWMT17224	1/2" Drive Impact Deep Socket 6PT 34 mm
DWMT17225	1/2" Drive Impact Deep Socket 6PT 35 mm
DWMT75150	1/2" Drive Impact Deep Socket 6PT 36 mm

19 PIECE 1/2" DRIVE IMPACT SOCKET SET - 6 POINT



PRODUCT #	CONTENTS	DESCRIPTION
DWMT19240		
	DWMT75114	1/2" Drive Impact Socket 6PT 3/8"
	DWMT75120	1/2" Drive Impact Socket 6PT 7/16"
	DWMT74654	1/2" Drive Impact Socket 6PT 1/2"
	DWMT75122	1/2" Drive Impact Socket 6PT 9/16"
	DWMT75118	1/2" Drive Impact Socket 6PT 5/8"
	DWMT74655	1/2" Drive Impact Socket 6PT 11/16"

CONTENTS	DESCRIPTION
DWMT75113	1/2" Drive Impact Socket 6PT 3/4"
DWMT74661	1/2" Drive Impact Socket 6PT 13/16"
DWMT75121	1/2" Drive Impact Socket 6PT 7/8"
DWMT75104	1/2" Drive Impact Socket 6PT 15/16"
DWMT75119	1/2" Drive Impact Socket 6PT 1"
DWMT17233	1/2" Drive Impact Socket 6PT 1-1/16"
DWMT75125	1/2" Drive Impact Socket 6PT 1-1/8"

CONTENTS	DESCRIPTION
DWMT17235	1/2" Drive Impact Socket 6PT 1-3/16"
DWMT19202	1/2" Drive Impact Socket 6PT 1-1/4"
DWMT17237	1/2" Drive Impact Socket 6PT 1-5/16"
DWMT17236	1/2" Drive Impact Socket 6PT 1-3/8"
DWMT17238	1/2" Drive Impact Socket 6PT 1-7/16"
DWMT17234	1/2" Drive Impact Socket 6PT 1-1/2"

1/2" DRIVE IMPACT SOCKET SETS

- Heat treated CR-440 steel
- DirectTorque™ Technology
- Laser etched markings
- Black oxide coating
- O-ring and retaining pin compatible



- Light-weight aluminum rail
- Easy slide clips

19 PIECE 1/2" DRIVE DEEP IMPACT SOCKET SET - 6 POINT

PRODUCT #	CONTENTS	DESCRIPTION
DWMT19239		
	DWMT73932	1/2" Drive Impact Deep Socket 6PT 3/8"
	DWMT73933	1/2" Drive Impact Deep Socket 6PT 7/16"
	DWMT73934	1/2" Drive Impact Deep Socket 6PT 1/2"
	DWMT73935	1/2" Drive Impact Deep Socket 6PT 9/16"
	DWMT73936	1/2" Drive Impact Deep Socket 6PT 5/8"
	DWMT73940	1/2" Drive Impact Deep Socket 6PT 7/8"

CONTENTS	DESCRIPTION
DWMT73937	1/2" Drive Impact Deep Socket 6PT 11/16"
DWMT73938	1/2" Drive Impact Deep Socket 6PT 3/4"
DWMT17232	1/2" Drive Impact Deep Socket 6PT 13/16"
DWMT73941	1/2" Drive Impact Deep Socket 6PT 15/16"
DWMT73942	1/2" Drive Impact Deep Socket 6PT 1"
DWMT74656	1/2" Drive Impact Deep Socket 6PT 1-1/16"
DWMT74659	1/2" Drive Impact Deep Socket 6PT 1-1/8"

CONTENTS	DESCRIPTION
DWMT17228	1/2" Drive Impact Deep Socket 6PT 1-3/16"
DWMT74658	1/2" Drive Impact Deep Socket 6PT 1-1/4"
DWMT17230	1/2" Drive Impact Deep Socket 6PT 1-5/16"
DWMT17229	1/2" Drive Impact Deep Socket 6PT 1-3/8"
DWMT17231	1/2" Drive Impact Deep Socket 6PT 1-7/16"
DWMT17227	1/2" Drive Impact Deep Socket 6PT 1-1/2"

15 PIECE 1/2" DRIVE COMBINATION IMPACT HEX BIT SOCKET SET

- Light-weight carrying case with metal latches
- IP65 rated water seal



PRODUCT #	CONTENTS	DESCRIPTION
DWMT19239		
	DWMT17175	1/2" Drive Impact Hex Bit Socket 5/16"
	DWMT17174	1/2" Drive Impact Hex Bit Socket 3/8"
	DWMT17179	1/2" Drive Impact Hex Bit Socket 7/16"
	DWMT17166	1/2" Drive Impact Hex Bit Socket 1/2"
	DWMT17181	1/2" Drive Impact Hex Bit Socket 9/16"
	DWMT17176	1/2" Drive Impact Hex Bit Socket 5/8"
	DWMT17173	1/2" Drive Impact Hex Bit Socket 3/4"

CONTENTS	DESCRIPTION
DWMT17167	1/2" Drive Impact Hex Bit Socket 10 mm
DWMT17169	1/2" Drive Impact Hex Bit Socket 12 mm
DWMT17170	1/2" Drive Impact Hex Bit Socket 14 mm
DWMT17171	1/2" Drive Impact Hex Bit Socket 17 mm
DWMT17172	1/2" Drive Impact Hex Bit Socket 19 mm
DWMT17177	1/2" Drive Impact Hex Bit Socket 5 mm
DWMT17178	1/2" Drive Impact Hex Bit Socket 6 mm
DWMT17180	1/2" Drive Impact Hex Bit Socket 8 mm

7 PIECE 1/2" DRIVE EXTERNAL TORX® IMPACT SOCKET SET

- Light-weight aluminum rail
- Easy slide clips



PRODUCT #	CONTENTS	DESCRIPTION
DWMT19260		
	DWMT79243	1/2" External Torx® Impact Socket - E10
	DWMT79244	1/2" External Torx® Impact Socket - E12
	DWMT79245	1/2" External Torx® Impact Socket - E14

CONTENTS	DESCRIPTION
DWMT79246	1/2" External Torx® Impact Socket - E16
DWMT79247	1/2" External Torx® Impact Socket - E18
DWMT79248	1/2" External Torx® Impact Socket - E20
DWMT79249	1/2" External Torx® Impact Socket - E24

Is not O-Ring compatible

Torx® is a trademark of Acument Intellectual Properties, LLC

1/2" DRIVE IMPACT SOCKETS

- Heat treated CR-440 steel
- DirectTorque™ Technology
- Laser etched markings
- Black oxide coating
- O-ring and retaining pin compatible



1/2" DRIVE IMPACT SOCKETS - 6 POINT

BULK PRODUCT #	SIZE	NUT END OUTSIDE DIA (B)	DRIVE END OUTSIDE DIA (C)	NUT DEPTH (D)	BOLT CLEARANCE DEPTH (E)	OVERALL LENGTH (L)	WEIGHT
DWMT75114B	3/8"	5/8"	31/32"	5/16"	21/32"	1-1/2"	0.14 lbs
DWMT75120B	7/16"	23/32"	31/32"	11/32"	21/32"	1-1/2"	0.14 lbs
DWMT74654B	1/2"	25/32"	31/32"	7/16"	21/32"	1-1/2"	0.14 lbs
DWMT75122B	9/16"	7/8"	31/32"	7/16"	21/32"	1-1/2"	0.17 lbs
DWMT75118B	5/8"	31/32"	31/32"	15/32"	21/32"	1-1/2"	0.19 lbs
DWMT74655B	11/16"	1-1/32"	31/32"	15/32"	21/32"	1-1/2"	0.21 lbs
DWMT75113B	3/4"	1-3/32"	31/32"	15/32"	21/32"	1-1/2"	0.23 lbs
DWMT74661B	13/16"	1-3/16"	31/32"	1/2"	21/32"	1-1/2"	0.27 lbs
DWMT75121B	7/8"	1-1/4"	1-3/16"	1/2"	3/4"	1-1/2"	0.32 lbs
DWMT75104B	15/16"	1-11/32"	1-3/16"	19/32"	3/4"	1-1/2"	0.36 lbs
DWMT75119B	1"	1-13/32"	1-3/16"	19/32"	3/4"	1-1/2"	0.41 lbs
DWMT17233B	1-1/16"	1-1/2"	1-3/16"	21/32"	3/4"	1-9/16"	0.47 lbs
DWMT75125B	1-1/8"	1-9/16"	1-3/16"	23/32"	31/32"	1-9/16"	0.49 lbs
DWMT17235B	1-3/16"	1-21/32"	1-3/16"	23/32"	31/32"	1-9/16"	0.52 lbs
DWMT19202B	1-1/4"	1-23/32"	1-3/16"	23/32"	31/32"	1-9/16"	0.56 lbs
DWMT17237B	1-5/16"	1-13/16"	1-3/8"	13/16"	1-5/32"	1-11/16"	0.59 lbs
DWMT17236B	1-3/8"	1-7/8"	1-3/8"	13/16"	1-5/32"	1-11/16"	0.63 lbs
DWMT17238B	1-7/16"	1-31/32"	1-23/32"	13/16"	1-5/32"	1-11/16"	0.66 lbs
DWMT17234B	1-1/2"	2-1/16"	1-23/32"	15/16"	1-9/32"	1-11/16"	0.72 lbs

ASME B107.110



1/2" DRIVE METRIC IMPACT SOCKETS - 6 POINT

BULK PRODUCT #	SIZE	NUT END OUTSIDE DIA (B)	DRIVE END OUTSIDE DIA (C)	NUT DEPTH (D)	BOLT CLEARANCE DEPTH (E)	OVERALL LENGTH (L)	WEIGHT
DWMT17239B	9 mm	5/8"	31/32"	13/32"	9/16"	1-1/2"	0.15 lbs
DWMT17157B	10 mm	21/32"	31/32"	13/32"	9/16"	1-1/2"	0.14 lbs
DWMT19203B	11 mm	23/32"	31/32"	13/32"	9/16"	1-1/2"	0.16 lbs
DWMT17186B	12 mm	3/4"	31/32"	7/16"	9/16"	1-1/2"	0.16 lbs
DWMT74660B	13 mm	25/32"	31/32"	7/16"	9/16"	1-1/2"	0.16 lbs
DWMT75102B	14 mm	27/32"	31/32"	7/16"	9/16"	1-1/2"	0.16 lbs
DWMT75103B	15 mm	29/32"	31/32"	15/32"	9/16"	1-1/2"	0.17 lbs
DWMT75105B	16 mm	31/32"	31/32"	15/32"	19/32"	1-1/2"	0.18 lbs
DWMT75106B	17 mm	1-1/32"	31/32"	1/2"	19/32"	1-1/2"	0.19 lbs
DWMT75108B	18 mm	1-1/16"	31/32"	1/2"	5/8"	1-1/2"	0.19 lbs
DWMT75109B	19 mm	1-3/16"	31/32"	1/2"	23/32"	1-1/2"	0.19 lbs
DWMT75110B	20 mm	1-3/16"	31/32"	1/2"	23/32"	1-1/2"	0.22 lbs
DWMT75111B	21 mm	1-1/4"	1-3/16"	9/16"	23/32"	1-1/2"	0.20 lbs
DWMT75112B	22 mm	1-1/4"	1-3/16"	9/16"	23/32"	1-1/2"	0.28 lbs
DWMT17187B	23 mm	1-11/32"	1-3/16"	5/8"	23/32"	1-21/32"	0.34 lbs
DWMT17190B	24 mm	1-13/32"	1-3/16"	21/32"	13/16"	1-21/32"	0.33 lbs
DWMT17191B	25 mm	1-13/32"	1-3/16"	21/32"	13/16"	1-21/32"	0.35 lbs
DWMT17192B	26 mm	1-1/2"	1-3/16"	21/32"	13/16"	1-21/32"	0.34 lbs
DWMT17193B	27 mm	1-9/16"	1-3/16"	3/4"	31/32"	1-13/16"	0.42 lbs
DWMT17194B	28 mm	1-9/16"	1-3/16"	3/4"	31/32"	1-13/16"	0.47 lbs
DWMT17195B	29 mm	1-21/32"	1-3/16"	3/4"	31/32"	1-13/16"	0.47 lbs
DWMT17196B	30 mm	1-21/32"	1-3/16"	3/4"	1-3/32"	1-13/16"	0.48 lbs
DWMT17197B	31 mm	1-23/32"	1-3/16"	13/16"	1-3/32"	1-13/16"	0.51 lbs
DWMT17198B	32 mm	1-23/32"	1-3/16"	13/16"	1-3/32"	1-13/16"	0.53 lbs
DWMT17207B	33 mm	1-13/16"	1-3/8"	7/8"	1-3/32"	1-13/16"	0.60 lbs
DWMT17208B	34 mm	1-13/16"	1-3/8"	7/8"	1-3/16"	1-13/16"	0.63 lbs
DWMT17209B	35 mm	1-31/32"	1-3/8"	7/8"	1-3/16"	1-31/32"	0.75 lbs
DWMT17210B	36 mm	1-31/32"	1-3/8"	7/8"	1-3/16"	1-31/32"	0.80 lbs

ASME B107.110

1/2" DRIVE IMPACT SOCKETS

- Heat treated CR-440 steel
- DirectTorque™ Technology
- Laser etched markings
- Black oxide coating
- O-ring and retaining pin compatible



1/2" DRIVE DEEP IMPACT SOCKETS - 6 POINT

BULK PRODUCT #	SIZE	NUT END OUTSIDE DIA (B)	DRIVE END OUTSIDE DIA (C)	NUT DEPTH (D)	BOLT CLEARANCE DEPTH (E)	OVERALL LENGTH (L)	WEIGHT
DWMT73932B	3/8"	5/8"	31/32"	19/32"	1-25/32"	3-7/32"	0.36 lbs
DWMT73933B	7/16"	23/32"	31/32"	19/32"	1-25/32"	3-7/32"	0.37 lbs
DWMT73934B	1/2"	25/32"	31/32"	19/32"	1-25/32"	3-7/32"	0.39 lbs
DWMT73935B	9/16"	7/8"	31/32"	21/32"	1-25/32"	3-7/32"	0.39 lbs
DWMT73936B	5/8"	31/32"	31/32"	23/32"	1-25/32"	3-7/32"	0.43 lbs
DWMT73937B	11/16"	1-3/32"	31/32"	23/32"	1-25/32"	3-7/32"	0.41 lbs
DWMT73938B	3/4"	1-3/16"	31/32"	1-1/32"	1-25/32"	3-7/32"	0.49 lbs
DWMT17232B	13/16"	1-1/4"	1-3/16"	1-1/32"	1-25/32"	3-7/32"	0.53 lbs
DWMT73940B	7/8"	1-1/32"	31/32"	23/32"	1-25/32"	3-7/32"	0.66 lbs
DWMT73941B	15/16"	1-11/32"	1-3/16"	1-1/32"	1-25/32"	3-7/32"	0.72 lbs
DWMT73942B	1"	1-13/32"	1-3/16"	1-1/32"	1-25/32"	3-7/32"	0.78 lbs
DWMT74656B	1-1/16"	1-1/2"	1-3/16"	1-1/32"	1-25/32"	3-7/32"	0.85 lbs
DWMT74659B	1-1/8"	1-9/16"	1-3/16"	1-1/32"	1-25/32"	3-7/32"	0.94 lbs
DWMT17228B	1-3/16"	1-21/32"	1-3/16"	1-1/32"	1-25/32"	3-7/32"	0.95 lbs
DWMT74658B	1-1/4"	1-23/32"	1-3/16"	1-1/32"	1-31/32"	3-7/32"	1.10 lbs
DWMT17230B	1-5/16"	1-13/16"	1-3/8"	1-11/32"	1-31/32"	3-17/32"	1.19 lbs
DWMT17229B	1-3/8"	1-7/8"	1-3/8"	1-11/32"	2-5/32"	3-17/32"	1.28 lbs
DWMT17231B	1-7/16"	1-31/32"	1-23/32"	1-11/32"	2-5/32"	3-17/32"	1.37 lbs
DWMT17227B	1-1/2"	2-1/32"	1-23/32"	1-11/32"	2-5/32"	3-17/32"	1.50 lbs
DWMT17212B	1-5/8"	2-3/16"	1-23/32"	1-1/4"	2-5/32"	3-17/32"	1.54 lbs
DWMT17211B	1-15/16"	2-11/16"	2-11/16"	2-3/8"	2-5/32"	3-21/32"	2.98 lbs

ASME B107.110



1/2" DRIVE DEEP METRIC IMPACT SOCKETS - 6 POINT

BULK PRODUCT #	SIZE	NUT END OUTSIDE DIA (B)	DRIVE END OUTSIDE DIA (C)	NUT DEPTH (D)	BOLT CLEARANCE DEPTH (E)	OVERALL LENGTH (L)	WEIGHT
DWMT17226B	9 mm	5/8"	31/32"	19/32"	1-25/32"	3-7/32"	0.35 lbs
DWMT73943B	10 mm	21/32"	31/32"	19/32"	1-25/32"	3-7/32"	0.37 lbs
DWMT73944B	11 mm	23/32"	31/32"	19/32"	1-25/32"	3-7/32"	0.38 lbs
DWMT73945B	12 mm	3/4"	31/32"	19/32"	1-25/32"	3-7/32"	0.38 lbs
DWMT17213B	13 mm	25/32"	31/32"	19/32"	1-25/32"	3-7/32"	0.38 lbs
DWMT73947B	14 mm	27/32"	31/32"	23/32"	1-25/32"	3-7/32"	0.38 lbs
DWMT75126B	15 mm	29/32"	31/32"	23/32"	1-25/32"	3-7/32"	0.40 lbs
DWMT73948B	16 mm	31/32"	31/32"	23/32"	1-25/32"	3-7/32"	0.42 lbs
DWMT73949B	17 mm	1-1/32"	31/32"	3/4"	1-25/32"	3-7/32"	0.42 lbs
DWMT17214B	18 mm	1-1/16"	31/32"	3/4"	1-25/32"	3-7/32"	0.46 lbs
DWMT73950B	19 mm	1-3/16"	31/32"	3/4"	1-25/32"	3-7/32"	0.47 lbs
DWMT75128B	20 mm	1-3/16"	31/32"	1-1/32"	1-25/32"	3-7/32"	0.53 lbs
DWMT73951B	21 mm	1-1/4"	1-3/16"	1-1/32"	1-25/32"	3-7/32"	0.49 lbs
DWMT73952B	22 mm	1-1/4"	1-3/16"	1-1/32"	1-25/32"	3-7/32"	0.64 lbs
DWMT17185B	23 mm	1-11/32"	1-3/16"	1-1/32"	1-25/32"	3-7/32"	0.74 lbs
DWMT17215B	24 mm	1-13/32"	1-3/16"	1-1/32"	1-25/32"	3-7/32"	0.67 lbs
DWMT17216B	25 mm	1-13/32"	1-3/16"	1-1/32"	1-25/32"	3-7/32"	0.78 lbs
DWMT17217B	26 mm	1-1/2"	1-3/16"	1-1/32"	1-25/32"	3-7/32"	0.86 lbs
DWMT17218B	27 mm	1-9/16"	1-3/16"	1-1/32"	1-31/32"	3-7/32"	0.82 lbs
DWMT17219B	28 mm	1-9/16"	1-3/16"	1-1/32"	1-31/32"	3-7/32"	0.95 lbs
DWMT17220B	29 mm	1-21/32"	1-3/16"	1-1/32"	1-31/32"	3-7/32"	0.95 lbs
DWMT17221B	30 mm	1-21/32"	1-3/16"	1-1/32"	1-31/32"	3-7/32"	0.93 lbs
DWMT17222B	32 mm	1-23/32"	1-3/16"	1-1/32"	1-31/32"	3-7/32"	1.04 lbs
DWMT17223B	33 mm	1-13/16"	1-3/8"	1-1/2"	2-5/32"	3-17/32"	1.26 lbs
DWMT17224B	34 mm	1-13/16"	1-3/8"	1-1/2"	2-5/32"	3-17/32"	1.21 lbs
DWMT17225B	35 mm	1-31/32"	1-3/8"	1-1/2"	2-5/32"	3-17/32"	1.48 lbs
DWMT75117OSP	36 mm	1-31/32"	1-3/8"	1-1/2"	2-5/32"	3-17/32"	1.24 lbs

ASME B107.110

1/2" DRIVE IMPACT SOCKETS

- Heat treated CR-440 steel
- Laser etched markings
- Black oxide coating
- O-ring and retaining pin compatible

1/2" DRIVE IMPACT HEX BIT SOCKETS

BULK PRODUCT #	SIZE	BIT LENGTH	OVERALL LENGTH (L)	WEIGHT
DWMT17175B	5/16"	9/16"	3-1/16"	0.20 lbs
DWMT17174B	3/8"	19/32"	3-1/16"	0.23 lbs
DWMT17179B	7/16"	5/8"	3-1/16"	0.26 lbs
DWMT17166B	1/2"	5/8"	3-1/16"	0.29 lbs
DWMT17181B	9/16"	5/8"	3-1/16"	0.33 lbs
DWMT17176B	5/8"	21/32"	3-1/16"	0.38 lbs
DWMT17173B	3/4"	23/32"	3-1/16"	0.47 lbs

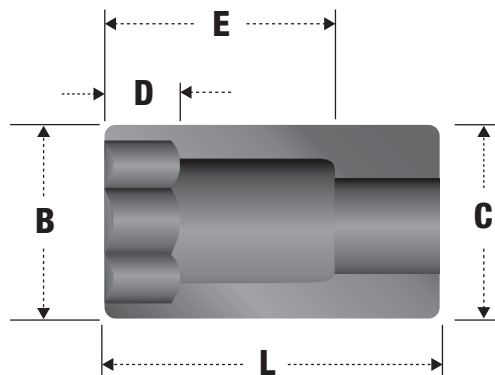
ASME B107.110



1/2" DRIVE METRIC IMPACT HEX BIT SOCKETS

BULK PRODUCT #	SIZE	BIT LENGTH	OVERALL LENGTH (L)	WEIGHT
DWMT17177B	5 mm	15/32	3-1/16"	0.17 lbs
DWMT17178B	6 mm	1/2	3-1/16"	0.18 lbs
DWMT17180B	8 mm	9/16	3-1/16"	0.19 lbs
DWMT17167B	10 mm	19/32	3-1/16"	0.23 lbs
DWMT17169B	12 mm	5/8	3-1/16"	0.28 lbs
DWMT17170B	14 mm	5/8	3-1/16"	0.33 lbs
DWMT17171B	17 mm	21/32	3-1/16"	0.40 lbs
DWMT17172B	19 mm	23/32	3-1/16"	0.47 lbs

ASME B107.110



3/4" DRIVE IMPACT SOCKETS

- Heat treated CR-440 steel
- DirectTorque™ Technology
- Laser etched markings
- Black oxide coating
- O-ring and retaining pin compatible



3/4" DRIVE IMPACT SOCKETS - 6 POINT

BULK PRODUCT #	SIZE	NUT END OUTSIDE DIA (B)	DRIVE END OUTSIDE DIA (C)	NUT DEPTH (D)	BOLT CLEARANCE DEPTH (E)	OVERALL LENGTH (L)	WEIGHT
DWMT19019B	1/2"	7/8"	1-9/16"	5/8"	25/32"	1-31/32"	0.46 lbs
DWMT19037B	9/16"	1"	1-9/16"	5/8"	25/32"	1-31/32"	0.51 lbs
DWMT19036B	5/8"	1-3/32"	1-9/16"	5/8"	25/32"	1-31/32"	0.51 lbs
DWMT19021B	11/16"	1-5/32"	1-9/16"	5/8"	25/32"	1-31/32"	0.53 lbs
DWMT75170B	3/4"	1-3/16"	1-9/16"	5/8"	25/32"	1-31/32"	0.55 lbs
DWMT75159B	13/16"	1-1/4"	1-9/16"	23/32"	25/32"	2-1/16"	0.58 lbs
DWMT75178B	7/8"	1-11/32"	1-9/16"	23/32"	25/32"	2-1/16"	0.60 lbs
DWMT75163B	15/16"	1-13/32"	1-9/16"	23/32"	25/32"	2-1/16"	0.64 lbs
DWMT75154B	1"	1-9/16"	1-9/16"	23/32"	25/32"	2-1/16"	0.67 lbs
DWMT75155B	1-1/16"	1-9/16"	1-9/16"	23/32"	25/32"	2-1/16"	0.65 lbs
DWMT75158B	1-1/8"	1-21/32"	1-21/32"	3/4"	31/32"	2-1/16"	0.72 lbs
DWMT75160B	1-3/16"	1-23/32"	1-23/32"	3/4"	31/32"	2-1/16"	0.81 lbs
DWMT75157B	1-1/4"	1-13/16"	1-23/32"	23/32"	31/32"	2-1/16"	0.85 lbs
DWMT75162B	1-5/16"	1-27/32"	1-23/32"	7/8"	1-5/32"	2-7/32"	0.86 lbs
DWMT75161B	1-3/8"	1-31/32"	1-23/32"	7/8"	1-5/32"	2-7/32"	0.99 lbs
DWMT75164B	1-7/16"	2"	1-25/32"	7/8"	1-5/32"	2-7/32"	1.03 lbs
DWMT75156B	1-1/2"	2-3/32"	1-25/32"	15/16"	1-1/4"	2-7/32"	1.06 lbs
DWMT19018B	1-9/16"	2-7/32"	1-25/32"	31/32"	1-1/4"	2-7/16"	1.28 lbs
DWMT19016B	1-5/8"	2-9/32"	1-25/32"	31/32"	1-1/4"	2-7/16"	1.30 lbs
DWMT19011B	1-11/16"	2-1/2"	1-25/32"	1-1/16"	1-1/2"	2-7/16"	1.61 lbs
DWMT19015B	1-3/4"	2-17/32"	1-25/32"	1-1/16"	1-1/2"	2-7/16"	1.61 lbs
DWMT19012B	1-13/16"	2-19/32"	1-25/32"	1-3/32"	1-1/2"	2-11/16"	1.91 lbs
DWMT19017B	1-7/8"	2-11/16"	1-25/32"	1-5/32"	1-5/8"	2-11/16"	1.94 lbs
DWMT19013B	1-15/16"	2-3/4"	1-25/32"	1-5/16"	1-5/8"	2-3/4"	2.07 lbs
DWMT19024B	2"	2-25/32"	2-1/8"	1-5/16"	1-5/8"	2-27/32"	2.36 lbs

ASME B107.110



3/4" DRIVE METRIC IMPACT SOCKETS - 6 POINT

BULK PRODUCT #	SIZE	NUT END OUTSIDE DIA (B)	DRIVE END OUTSIDE DIA (C)	NUT DEPTH (D)	BOLT CLEARANCE DEPTH (E)	OVERALL LENGTH (L)	WEIGHT
DWMT19022B	17 mm	1-1/4"	1-23/32"	5/8"	25/32"	1-31/32"	0.51 lbs
DWMT19023B	19 mm	1-1/4"	1-23/32"	5/8"	25/32"	1-31/32"	0.51 lbs
DWMT17158B	20 mm	1-5/16"	1-23/32"	5/8"	25/32"	1-31/32"	0.51 lbs
DWMT19025B	21 mm	1-11/32"	1-23/32"	5/8"	25/32"	1-31/32"	0.53 lbs
DWMT75165B	22 mm	1-13/32"	1-23/32"	5/8"	25/32"	1-31/32"	0.55 lbs
DWMT19026B	23 mm	1-7/16"	1-23/32"	5/8"	25/32"	1-31/32"	0.55 lbs
DWMT75166B	24 mm	1-1/2"	1-23/32"	5/8"	7/8"	1-31/32"	0.54 lbs
DWMT75167B	25 mm	1-17/32"	1-23/32"	5/8"	7/8"	1-31/32"	0.59 lbs
DWMT75168B	26 mm	1-19/32"	1-23/32"	5/8"	7/8"	1-31/32"	0.66 lbs
DWMT75169B	27 mm	1-21/32"	1-23/32"	3/4"	31/32"	2-3/32"	0.63 lbs
DWMT19027B	28 mm	1-23/32"	1-23/32"	3/4"	31/32"	2-3/32"	0.73 lbs
DWMT19030B	29 mm	1-13/16"	1-23/32"	3/4"	31/32"	2-3/32"	0.71 lbs
DWMT75171B	30 mm	1-13/16"	1-23/32"	3/4"	31/32"	2-3/32"	0.81 lbs
DWMT19031B	31 mm	1-13/16"	1-23/32"	3/4"	1-3/32"	2-3/32"	0.82 lbs
DWMT75172B	32 mm	1-7/8"	1-23/32"	7/8"	1-3/32"	2-7/32"	0.81 lbs
DWMT75173B	33 mm	1-31/32"	1-23/32"	7/8"	1-3/16"	2-7/32"	0.91 lbs
DWMT19201B	34 mm	2"	1-23/32"	7/8"	1-3/16"	2-7/32"	0.96 lbs
DWMT75174B	35 mm	2-1/16"	1-23/32"	7/8"	1-3/16"	2-7/32"	1.01 lbs
DWMT75175B	36 mm	2-3/32"	1-23/32"	7/8"	1-1/4"	2-7/32"	1.04 lbs
DWMT75176B	38 mm	2-7/32"	1-23/32"	7/8"	1-11/32"	2-7/32"	1.10 lbs
DWMT19032B	40 mm	2-3/8"	1-23/32"	7/8"	1-11/32"	2-7/32"	1.25 lbs
DWMT75177B	41 mm	2-3/8"	1-23/32"	7/8"	1-1/2"	2-7/32"	1.36 lbs
DWMT19033B	42 mm	2-7/16"	1-23/32"	1-1/32"	1-1/2"	2-7/16"	1.50 lbs
DWMT19034B	46 mm	2-5/8"	1-23/32"	1-1/32"	1-11/16"	2-15/32"	1.80 lbs

ASME B107.110

3/4" DRIVE IMPACT SOCKETS

- Heat treated CR-440 steel
- DirectTorque™ Technology
- High visibility laser etched markings
- Black oxide coating
- O-ring and retaining pin compatible



3/4" DRIVE DEEP IMPACT SOCKETS - 6 POINT

BULK PRODUCT #	SIZE	NUT END OUTSIDE DIA (B)	DRIVE END OUTSIDE DIA (C)	NUT DEPTH (D)	BOLT CLEARANCE DEPTH (E)	OVERALL LENGTH (L)	WEIGHT
DWMT75145B	3/4"	1-3/16"	1-9/16"	13/16"	1-25/32"	3-11/32"	0.80 lbs
DWMT75134B	13/16"	1-1/4"	1-9/16"	1-1/32"	1-25/32"	3-11/32"	0.83 lbs
DWMT75153B	7/8"	1-11/32"	1-9/16"	1-1/32"	1-25/32"	3-11/32"	0.89 lbs
DWMT74138B	15/16"	1-13/32"	1-9/16"	1-1/32"	1-25/32"	3-11/32"	0.91 lbs
DWMT75129B	1"	1-9/16"	1-9/16"	1-13/32"	1-25/32"	3-11/32"	1.10 lbs
DWMT75130B	1-1/16"	1-9/16"	1-9/16"	1-13/32"	1-25/32"	3-11/32"	1.04 lbs
DWMT75133B	1-1/8"	1-21/32"	1-21/32"	1-13/32"	1-25/32"	3-11/32"	1.14 lbs
DWMT75135B	1-3/16"	1-23/32"	1-23/32"	1-13/32"	1-25/32"	3-11/32"	1.25 lbs
DWMT75132B	1-1/4"	1-13/16"	1-23/32"	1-13/32"	1-25/32"	3-11/32"	1.18 lbs
DWMT75137B	1-5/16"	1-27/32"	1-23/32"	1-13/32"	1-25/32"	3-11/32"	1.34 lbs
DWMT75136B	1-3/8"	1-31/32"	1-23/32"	1-9/16"	1-31/32"	3-11/32"	1.51 lbs
DWMT75139B	1-7/16"	2"	1-25/32"	1-9/16"	1-31/32"	3-11/32"	1.48 lbs
DWMT75131B	1-1/2"	2-3/32"	1-25/32"	1-9/16"	1-31/32"	3-11/32"	1.54 lbs
DWMT19044B	1-9/16"	2-7/32"	1-25/32"	1-9/16"	1-31/32"	3-11/32"	1.69 lbs
DWMT19042B	1-5/8"	2-9/32"	1-25/32"	1-25/32"	1-31/32"	3-11/32"	1.73 lbs
DWMT19038B	1-11/16"	2-1/2"	1-25/32"	1-25/32"	1-31/32"	3-11/32"	2.16 lbs
DWMT19041B	1-3/4"	2-17/32"	1-25/32"	1-25/32"	1-31/32"	3-11/32"	2.26 lbs
DWMT19039B	1-13/16"	2-19/32"	1-25/32"	1-25/32"	1-31/32"	3-11/32"	2.38 lbs
DWMT19043B	1-7/8"	2-11/16"	1-25/32"	1-25/32"	1-31/32"	3-11/32"	2.40 lbs
DWMT19040B	1-15/16"	2-3/4"	1-25/32"	1-25/32"	1-31/32"	3-11/32"	2.59 lbs
DWMT19047B	2"	2-25/32"	2-1/8"	1-25/32"	1-31/32"	3-11/32"	2.74 lbs

ASME B107.110

3/4" DRIVE DEEP METRIC IMPACT SOCKETS - 6 POINT



BULK PRODUCT #	SIZE	NUT END OUTSIDE DIA (B)	DRIVE END OUTSIDE DIA (C)	NUT DEPTH (D)	BOLT CLEARANCE DEPTH (E)	OVERALL LENGTH (L)	WEIGHT
DWMT19045B	17 mm	1-1/8"	1-9/16"	5/8"	15/16"	3-11/32"	0.51 lbs
DWMT19046B	19 mm	1-1/4"	1-23/32"	5/8"	1-25/32"	3-11/32"	0.51 lbs
DWMT75140OSP	22 mm	1-3/8"	1-9/16"	1/2"	1-25/32"	3-11/32"	1.03 lbs
DWMT75141B	24 mm	1-1/2"	1-23/32"	5/8"	1-25/32"	3-11/32"	0.55 lbs
DWMT75142OSP	25 mm	1-5/8"	1-5/8"	9/16"	1-25/32"	3-11/32"	1.19 lbs
DWMT75143OSP	26 mm	1-5/8"	1-5/8"	19/32"	1-25/32"	3-11/32"	1.13 lbs
DWMT75144OSP	27 mm	1-5/8"	1-5/8"	5/8"	1-25/32"	3-11/32"	1.10 lbs
DWMT75146B	30 mm	1-13/16"	1-23/32"	3/4"	1-25/32"	3-11/32"	0.82 lbs
DWMT75147B	32 mm	1-7/8"	1-23/32"	7/8"	1-25/32"	3-11/32"	0.79 lbs
DWMT75148B	33 mm	1-31/32"	1-23/32"	7/8"	1-31/32"	3-11/32"	0.90 lbs
DWMT75149OSP	35 mm	2-1/32"	1-23/32"	7/8"	1-31/32"	3-11/32"	1.62 lbs
DWMT75150B	36 mm	2-3/32"	1-23/32"	7/8"	1-31/32"	3-11/32"	1.04 lbs
DWMT75151OSP	38 mm	2-7/32"	1-23/32"	7/8"	1-31/32"	3-11/32"	1.82 lbs
DWMT75152B	41 mm	2-3/8"	1-23/32"	7/8"	1-31/32"	3-11/32"	1.37 lbs
DWMT19048B	46 mm	2-5/8"	1-23/32"	1-1/32"	1-31/32"	3-3/4"	1.79 lbs

ASME B107.110

IMPACT ACCESSORIES

IMPACT EXTENSIONS



BULK PRODUCT #	RETAIL PRODUCT #	DRIVE SIZE	OVERALL LENGTH (L)	WEIGHT
DWMT17162B	--	3/8"	3"	0.18 lbs
DWMT17163B	--	3/8"	5"	0.28 lbs
DWMT17164B	--	3/8"	6-15/16"	0.38 lbs
DWMT19200B	--	1/2"	1-31/32"	0.22 lbs
DWMT75367B	DWMT75367OSP	1/2"	3"	0.26 lbs
DWMT75368B	DWMT75368OSP	1/2"	5"	0.32 lbs
DWMT75369B	DWMT75369OSP	1/2"	9-27/32"	0.50 lbs
DWMT75365B	DWMT75365OSP	3/4"	4"	0.97 lbs
DWMT75373B	DWMT75373OSP	3/4"	6-15/16"	2.01 lbs
DWMT17161B	--	3/4"	9-27/32"	2.64 lbs

ASME B107.110

IMPACT UNIVERSAL JOINTS



BULK PRODUCT #	RETAIL PRODUCT #	DRIVE SIZE	OVERALL LENGTH (L)	WEIGHT
DWMT17165B	--	3/8"	2"	0.22 lbs
DWMT75366B	DWMT75366OSP	1/2"	2-7/16"	0.44 lbs
DWMT75374B	DWMT75374OSP	3/4"	3-1/2"	1.43 lbs

ASME B107.110

IMPACT ADAPTERS



BULK PRODUCT #	RETAIL PRODUCT #	INPUT DRIVE SIZE	OUTPUT DRIVE SIZE	OVERALL LENGTH (L)	WEIGHT
DWMT75371B	DWMT75371OSP	1/2"	3/8"	1-1/2"	0.14 lbs
DWMT75372B	DWMT75372OSP	1/2"	3/4"	1-7/8"	0.31 lbs
DWMT75295B	DWMT75295OSP	3/4"	1/2"	2-1/8"	0.29 lbs

ASME B107.110

RETAINING PINS

BULK PRODUCT #	DRIVE SIZE	SIZE
DWMT17154B	3/8"	6-15 mm (1/4" - 9/16")
DWMT17152B	3/8"	16-24 mm (5/8" - 1")
DWMT17146B	1/2"	8-20 mm (5/16" - 13/16")
DWMT17140B	1/2"	21-32 mm (7/8" - 1-1/4")
DWMT17142B	1/2"	33-36 mm (1-5/16" - 1-3/8")
DWMT17144B	1/2"	37-50mm (1-7/16" - 1-15/16")
DWMT17139B	1/2"	51-57 mm (2" - 2-1/4")
DWMT17148B	3/4"	17-27 mm (1/2" - 1-1/16")
DWMT17150B	3/4"	28-46 mm 1-1/8" - 1-15/16"



O-RINGS

BULK PRODUCT #	DRIVE SIZE	SIZE
DWMT17156B	3/8"	6-15 mm (1/4" - 9/16")
DWMT17153B	3/8"	16-24 mm (5/8" - 1")
DWMT17147B	1/2"	8-20 mm (5/16" - 13/16")
DWMT17141B	1/2"	21-32 mm (7/8" - 1-1/4")
DWMT17143B	1/2"	33-36 mm (1-5/16" - 1-3/8")
DWMT17145B	1/2"	37-50mm (1-7/16" - 1-15/16")
DWMT17149B	3/4"	17-27 mm (1/2" - 1-1/16")
DWMT17151B	3/4"	28-46 mm (1-1/8" - 1-15/16")

