



see what Delta can do™

TUB AND SHOWER FAUCET TRIM

- **Vero® Bath Collection**
- **Valve Only (T14053)**
- **Shower Only (T14253, T14253-H₂O & T14253-WE)**
- **Tub/Shower (T14453 & T14453-H₂O & T14453-WE)**

FEATURES:

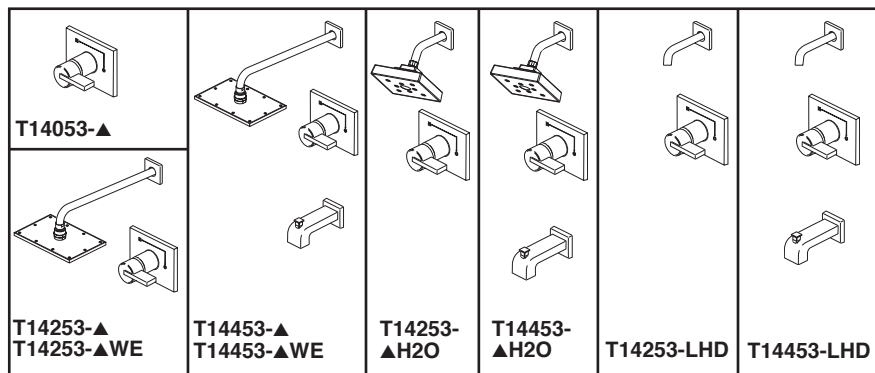
- Monitor® 14 Series pressure balanced single handle mixing valve trim
- "-H₂O" models include H₂Okinetic® Technology shower head

STANDARD SPECIFICATIONS:

- Maintains a balanced pressure of hot and cold water even when a valve is turned on or off elsewhere in the system
- For use with MultiChoice® Universal rough valve body (R10000 Series)
- Field adjustable to limit handle rotation into hot water zone
- 120° maximum handle rotation
- All parts replaceable from the front of the valve
- 2.5 gpm @ 80 psi for standard models and 1.75 gpm @ 80 psi for models with -H₂O & -WE suffix
- Tub port maximum flow rate 6.0 gpm @ 60 psi with R10000-UNBX
- Shower arm overall horizontal length = 16" (406 mm), including threaded ends
- "-LHD" models have pad printed red/blue temperature indication less shower head
- Stem extension kit RP77991 can be ordered to allow for an additional 1 3/4" wall thickness. RP77991 ships with chrome escutcheon screws. For special finishes also order RP12630 escutcheon screws in desired finish.

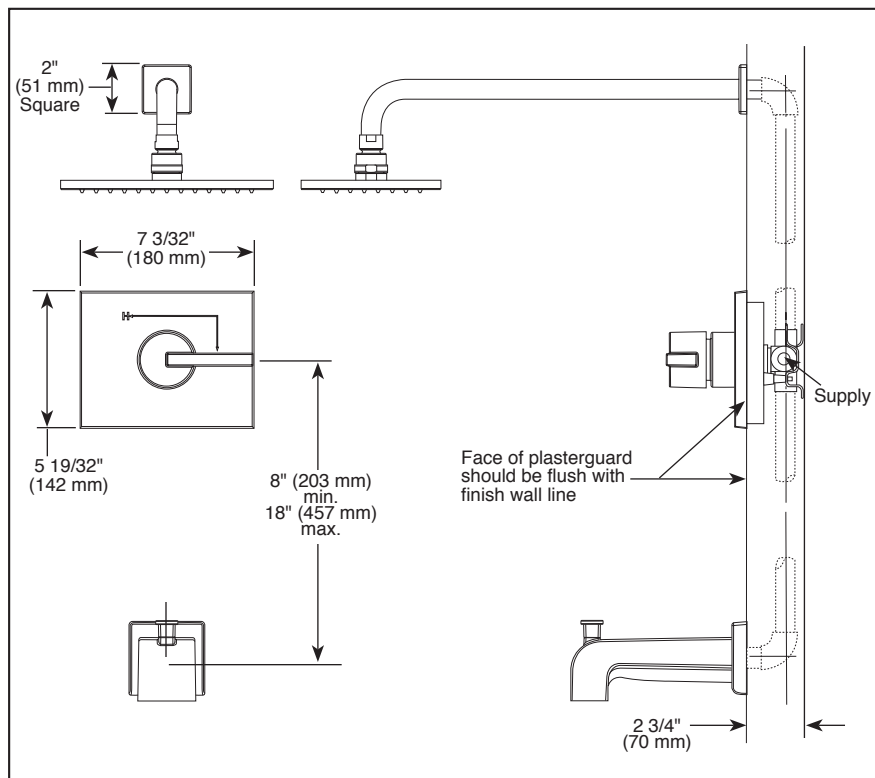
WARRANTY

- Parts and Finish - Lifetime limited warranty; or for commercial purchasers, 10 years for multi-family residential (apartments and condominiums) and 5 years for all other commercial uses, in each case from the date of purchase.
- Electronic Parts and Batteries (if applicable) - 5 years from the date of purchase; or for commercial purchasers, 1 year from the date of purchase. No warranty is provided on batteries.

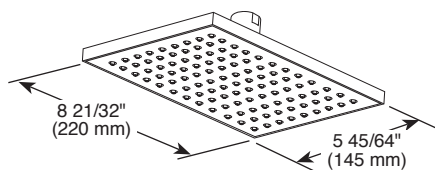


Submitted Model No.: _____

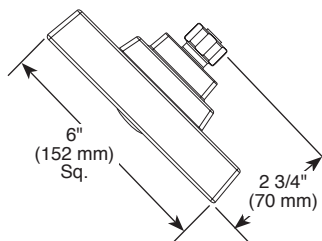
Specific Features: _____



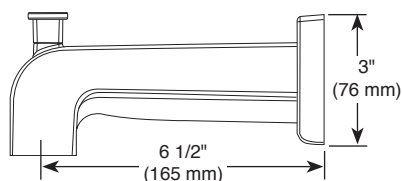
RP62955▲ (2.5 GPM)
RP91363▲ (1.75 GPM)
 Touch-Clean® Raincan



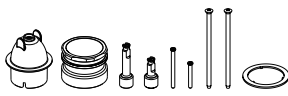
RP70171▲ 1.75 GPM H₂O Shower Head



RP53419▲ (Pull-Up Diverter)



RP77991 Available Extension Kit



▲ Designate Proper Finish Suffix

Delta reserves the right (1) to make changes in specifications and materials, and (2) to change or discontinue models, both without notice or obligation. Dimensions are for reference only. See current full-line price book or www.deltafaucet.com for finish options and product availability.

DSP-B-T14053 Rev. L



COMPLIES WITH:

- ASME A112.18.1 / CSA B125.1
- Indicates compliance to
- ICC/ANSI A117.1 - Valve control only
- EPA WaterSense® - Applies to T14253-▲WE, T14453-▲WE, T14253-▲H₂O, T14453-▲H₂O, RP91363▲ & RP70171▲

Delta Faucet Company

55 E. 111th Street, Indianapolis, IN 46280
 350 South Edgeware Road, St. Thomas, ON N5P 4L1
 © 2021 Delta Faucet Company