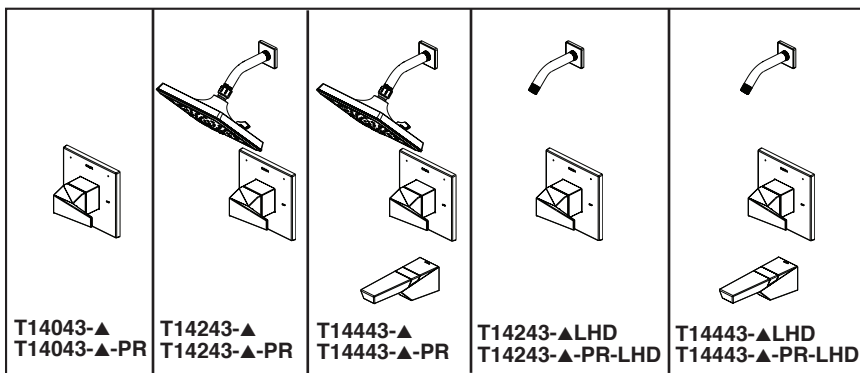




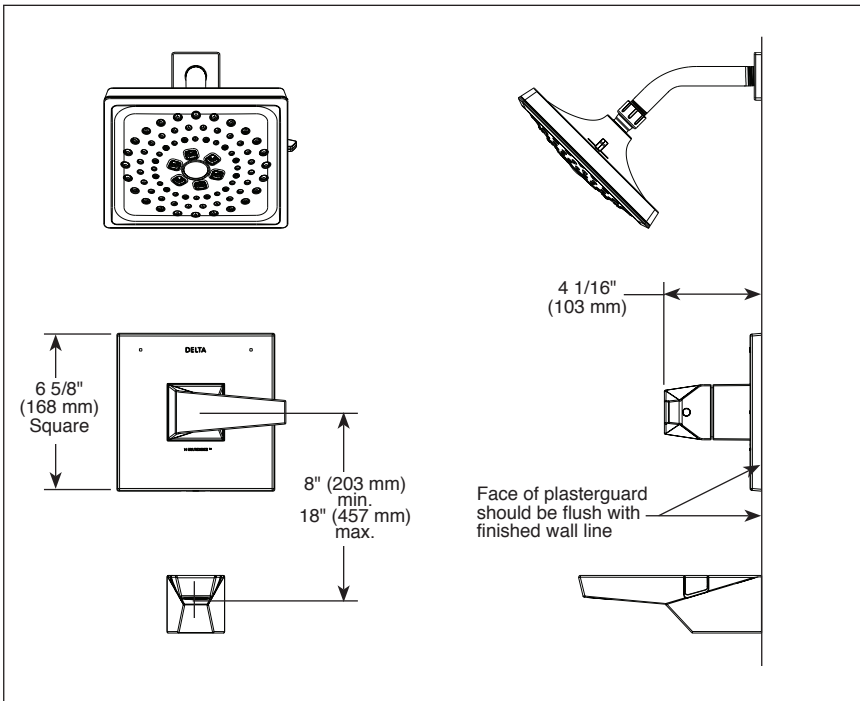
see what Delta can do™

TUB AND SHOWER FAUCET TRIM



Submitted Model No.: _____

Specific Features: _____



- Trillian™ Bath Collection
- Valve Only (T14043)
- Shower Only (T14243 & T14243-LHD)
- Tub/Shower (T14443 & T14443-LHD)

FEATURES:

- Monitor® 14 Series pressure balanced bath single handle mixing valve trim
- Three-setting H₂Okinetic® Technology shower head
- Lumicoat™ Finish (-PR models only)
- Lumicoat™ Finishes easily wipe clean without cleaners and chemicals on the products most commonly touched areas

STANDARD SPECIFICATIONS:

- Maintains a balanced pressure of hot and cold water even when a valve is turned on or off elsewhere in the system
- For use with MultiChoice® Universal rough valve body (R10000 Series)
- Back-to-back installation capability
- Temperature only controlled with handle
- Field adjustable to limit handle rotation into hot water zone
- 120° maximum handle rotation
- All parts replaceable from the front of the valve
- Max flow rate 1.75 gpm @ 80 psi, 6.6 L/min @ 550 kPa
- Tub port maximum flow rate 6.0 gpm @ 60 psi with R10000-UNBX
- Shower arm overall horizontal length = 5 1/2" (138 mm), including threaded ends
- Red/blue pad print temperature indicator on the shower escutcheon
- "-LHD" models indicate less shower head
- Stem extension kit RP77991 can be ordered to allow for an additional 1 3/4" wall thickness. RP77991 ships with chrome escutcheon screws. For special finishes also order RP12630 escutcheon screws in desired finish.
- Universal adapter included allows for thread, sweat or slip-on installation of RP93248 and RP93249

WARRANTY

- Parts and Finish - Lifetime limited warranty; or for commercial purchasers, 10 years for multi-family residential (apartments and condominiums) and 5 years for all other commercial uses, in each case from the date of purchase.
- Electronic Parts and Batteries (if applicable) - 5 years from the date of purchase; or for commercial purchasers, 1 year from the date of purchase. No warranty is provided on batteries.

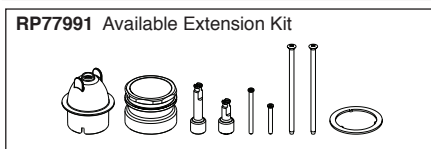
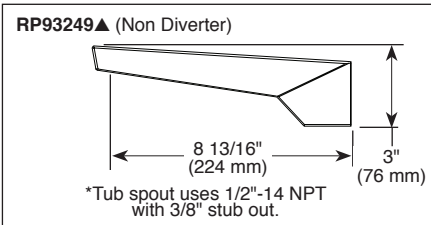
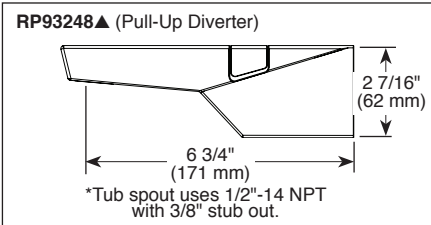


COMPLIES WITH:

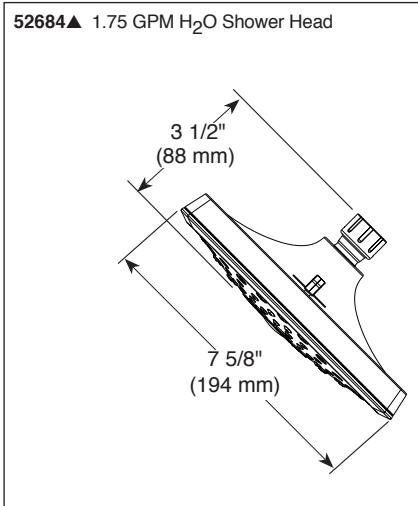
- ASME A112.18.1 / CSA B125.1
- Indicates compliance to
- ICC/ANSI A117.1 - Valve control only
- EPA WaterSense® - Applies to T14243, T14243-PR, T14443, T14443-PR and 52684 only

Delta Faucet Company

55 E. 111th Street, Indianapolis, Indiana 46280
350 South Edgewood Road, St. Thomas, ON N5P 4L1
© 2021 Delta Faucet Company



▲ Designate Proper Finish Suffix



Delta reserves the right (1) to make changes in specifications and materials, and (2) to change or discontinue models, both without notice or obligation. Dimensions are for reference only. See current full-line price book or www.deltafaucet.com for finish options and product availability.