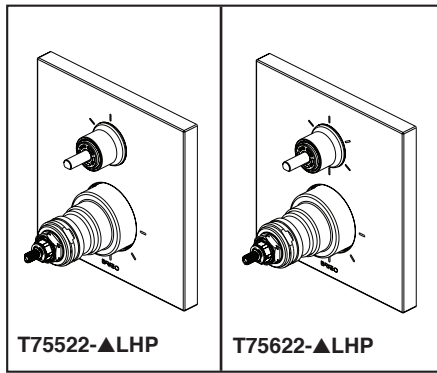


BRIZO®

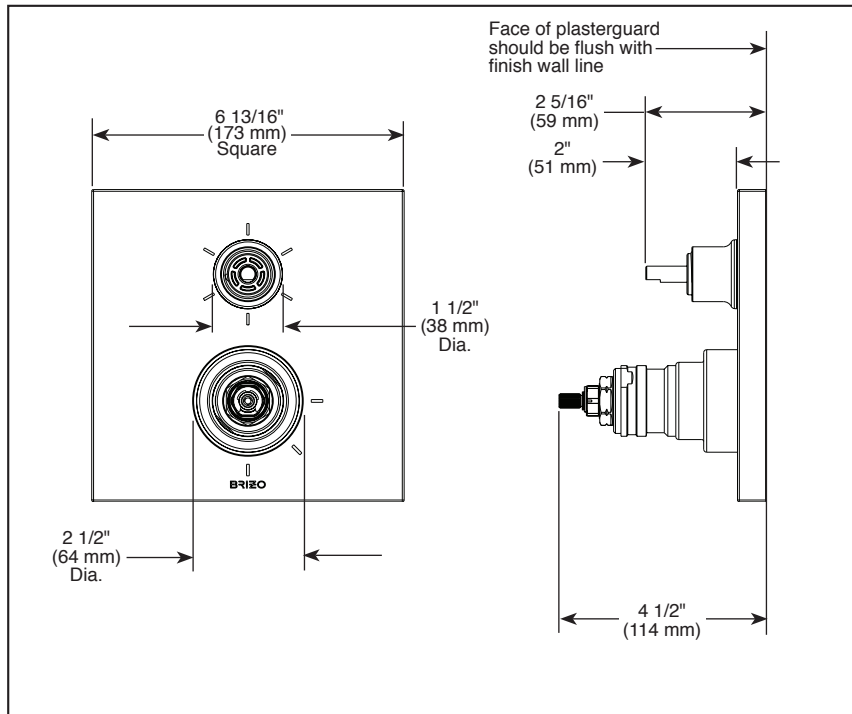
INTEGRATED SHOWER DIVERTER TRIM

- Frank Lloyd Wright® Bath Collection by Brizo®
- MultiChoice® Valve Trim with Three Function Diverter (T75522-LHP)
- MultiChoice® Valve Trim with Six Function Diverter (T75622-LHP)



Submitted Model No.: _____

Specific Features: _____

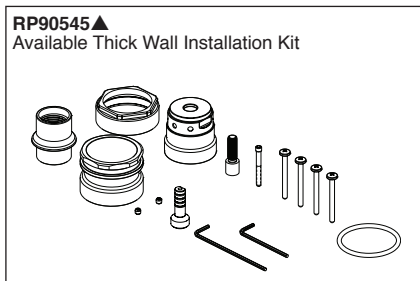
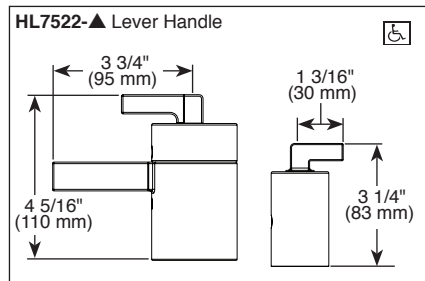


FEATURES:

- TempAssure® thermostatic valve cartridge

STANDARD SPECIFICATIONS:

- Main control utilizes thermostatic valve cartridge.
- Thermostatic wax element maintains the outlet temperature to $\pm 3.6^\circ$ F.
- Back-to-back installation capability
- For use with MultiChoice® Universal Integrated Shower Diverter Rough (R75000 Series)
- Max. system flow rate 7.2 gpm @ 60 psi with R75000
- Top handle controls diverter functions.
- Bottom (2) handles control on/off and temperature.
- Field adjustable to limit handle rotation into hot water zone.
- Bottom handle 90° Maximum rotation.
- Hot/cold indicator markings.
- Three function diverter (T75522-▲LHP) has 2 individual positions and 1 shared position.
- For two individual functions, no shared functions, order additional RP72123.
- Six function diverter (T75622-▲LHP) has 3 individual positions and 3 shared positions.
- For three individual functions, no shared functions, order additional RP72124.
- 1/2" rough-in.
- Cartridges included.
- Standard installation allows up to 1 1/8" finished wall thickness.
- Thick wall installation kit RP90545▲ can be ordered to allow for up to 2 1/8" finished wall thickness.



▲ Designate Proper Finish Suffix

WARRANTY

- Parts and Finish - Lifetime limited warranty; or for commercial purchasers, 10 years for multi-family residential (apartments and condominiums) and 5 years for all other commercial uses, in each case from the date of purchase.
- Electronic Parts and Batteries (if applicable) - 5 years from the date of purchase; or for commercial purchasers, 1 year from the date of purchase. No warranty is provided on batteries.

COMPLIES WITH:

- ASME A112.18.1 / CSA B125.1
- ASSE 1016
- ☐ Indicates compliance to ICC/ANSI A117.1