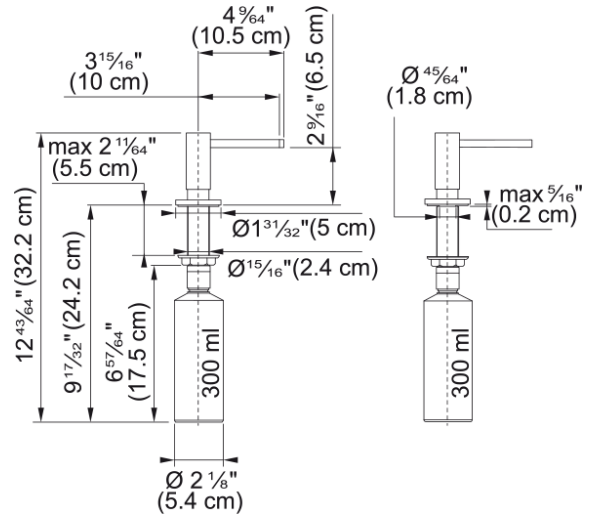


# Active Soap Dispenser - ACT-SD-SNI | 119.0547.904



## Technical Data

### Aspect

Type of material	Brass
Color	SS optics
Accessory type	Soap dispenser

### Product identification

Product family	None
Collection	Active