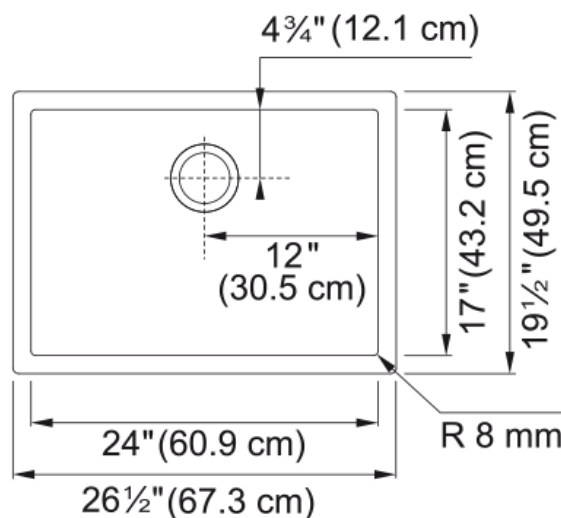
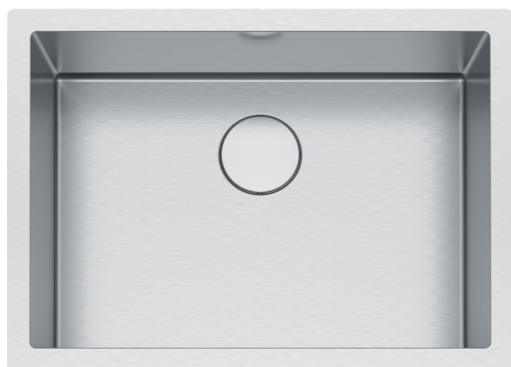


## Professional 2.0 Sink - PS2X110-24-12 | 122.0530.925



### Technical Data

#### Aspect

|                  |                 |
|------------------|-----------------|
| Sink type        | Sink            |
| Type of material | Stainless steel |
| Number of bowls  | 1               |
| Color            | Steel           |
| Surface finish   | Pearl           |

#### Product Dimensions

|                                |        |
|--------------------------------|--------|
| Exterior size: right to left   | 26.575 |
| Exterior size: front to back   | 19.488 |
| Large bowl size: right to left | 24     |
| Large bowl size: front to back | 17     |
| Large bowl: depth              | 10     |

#### Installation

|                      |     |
|----------------------|-----|
| Minimum cabinet size | 30" |
|----------------------|-----|

#### Product specifications

|                     |            |
|---------------------|------------|
| Installation type   | Undermount |
| Drain hole          | 3 1/2"     |
| Position of drainer | No drainer |

#### Product identification

|                |                     |
|----------------|---------------------|
| Product brand  | FRANKE              |
| Product family | None                |
| Collection     | Professional Series |
| Certified by   | IAPMO               |

#### Features

|                            |            |
|----------------------------|------------|
| Drainers number            | No drainer |
| Product reversibility      | No         |
| Faucet ledge               | No         |
| Strainer assembly included | No         |

|                        |                |
|------------------------|----------------|
| Strainer assembly type | No waste kit   |
| Overflow               | No             |
| Number of faucet holes | No faucet hole |
| Soap dispenser hole    | No             |