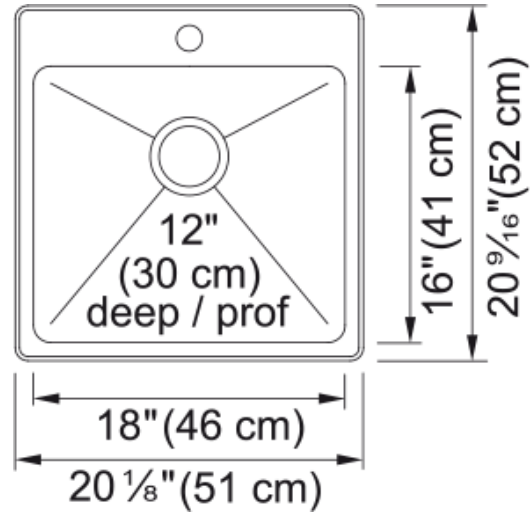


Steel Queen Dualmount Sink QSLF2020-12-1 | 101.0300.801



Technical Data

Aspect

Sink type	Sink
Type of material	Stainless steel
Number of bowls	1
Color	Steel
Surface finish	Silk

Product Dimensions

Exterior size: right to left	20.079
Exterior size: front to back	20.472
Large bowl size: right to left	18.11
Large bowl size: front to back	16.142
Large bowl: depth	11.811

Installation

Minimum cabinet size	24"
----------------------	-----

Product specifications

Installation type	Topmount / drop in
Drain hole	3 1/2"
Position of drainer	No drainer

Product identification

Product brand	Kindred
Collection	Steel Queen

Features

Drainers number	No drainer
Product reversibility	No
Faucet ledge	Yes
Strainer assembly included	Yes
Strainer assembly type	Manual
Overflow	No

Number of faucet holes	1
Soap dispenser hole	No