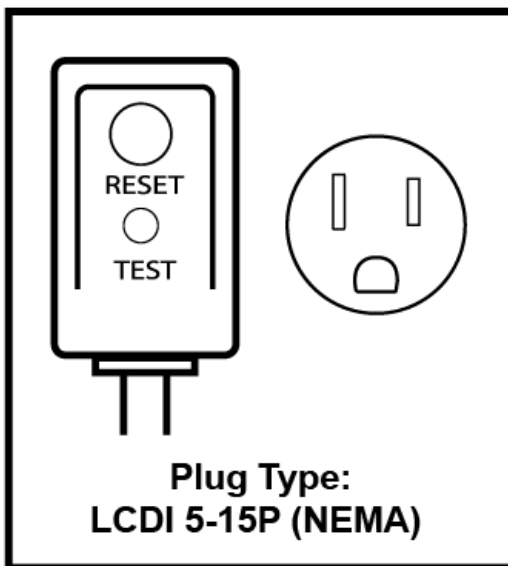
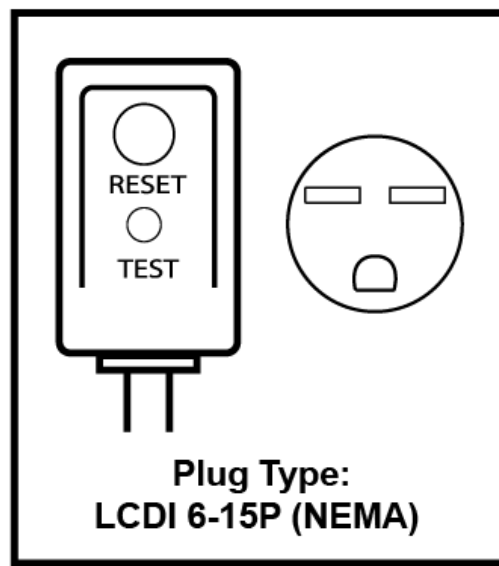


# Specifications

Model	Voltage / Frequency	Plug Type (NEMA)	Btu/h	Current (Amp)	Coolant	Weight	Dimensions (W x D x H)
WTC8002 WCO	115V / 60Hz	5-15P	8300	7	R410A 17.64 oz	68.3 lbs	24 <sup>1</sup> / <sub>4</sub> " x 20 <sup>3</sup> / <sub>8</sub> " x 14 <sup>1</sup> / <sub>2</sub> "
WTC10002 WCO115V	115V / 60Hz	5-15P	10000	8.3	R410A 20.81 oz	68.3 lbs	24 <sup>1</sup> / <sub>4</sub> " x 20 <sup>3</sup> / <sub>8</sub> " x 14 <sup>1</sup> / <sub>2</sub> "
WTC10012 WCO230V	230V / 208V / 60Hz	6-15P	10000 / 9800	4.5 / 4.8	R410A 21.87 oz	69.4 lbs	24 <sup>1</sup> / <sub>4</sub> " x 20 <sup>3</sup> / <sub>8</sub> " x 14 <sup>1</sup> / <sub>2</sub> "
WTC12002 WCO115V	115V / 60Hz	5-15P	12000	10	R410A 21.87 oz	77.2 lbs	24 <sup>1</sup> / <sub>4</sub> " x 20 <sup>3</sup> / <sub>8</sub> " x 14 <sup>1</sup> / <sub>2</sub> "
WTC12012 WCO230V	230V / 208V / 60Hz	6-15P	12000 / 11700	5.2 / 5.6	R410A 21.87 oz	76.1 lbs	24 <sup>1</sup> / <sub>4</sub> " x 20 <sup>3</sup> / <sub>8</sub> " x 14 <sup>1</sup> / <sub>2</sub> "
WTC14012 WCO230V	230V / 208V / 60Hz	6-15P	14000 / 13600	6.9 / 7.5	R410A 21.52 oz	75.2 lbs	24 <sup>1</sup> / <sub>4</sub> " x 20 <sup>3</sup> / <sub>8</sub> " x 14 <sup>1</sup> / <sub>2</sub> "



WTC8002WCO  
WTC10002WCO115V  
WTC12002WCO115V



WTC10012WCO230V  
WTC12012WCO230V  
WTC14012WCO230V