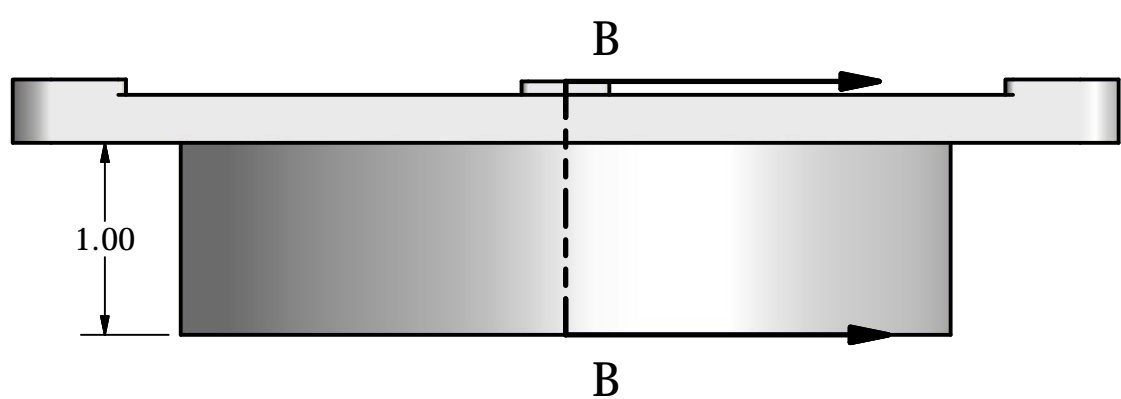
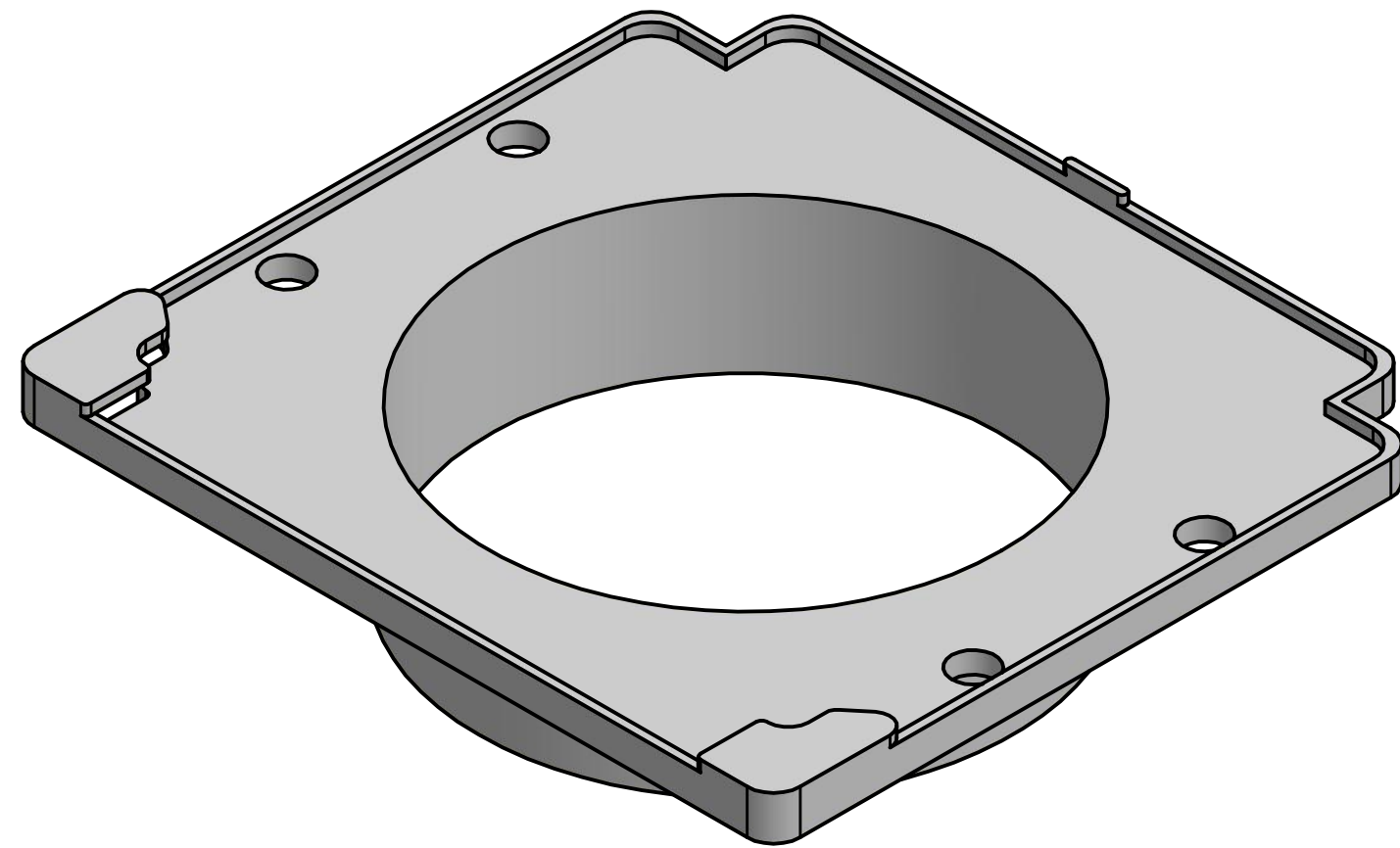
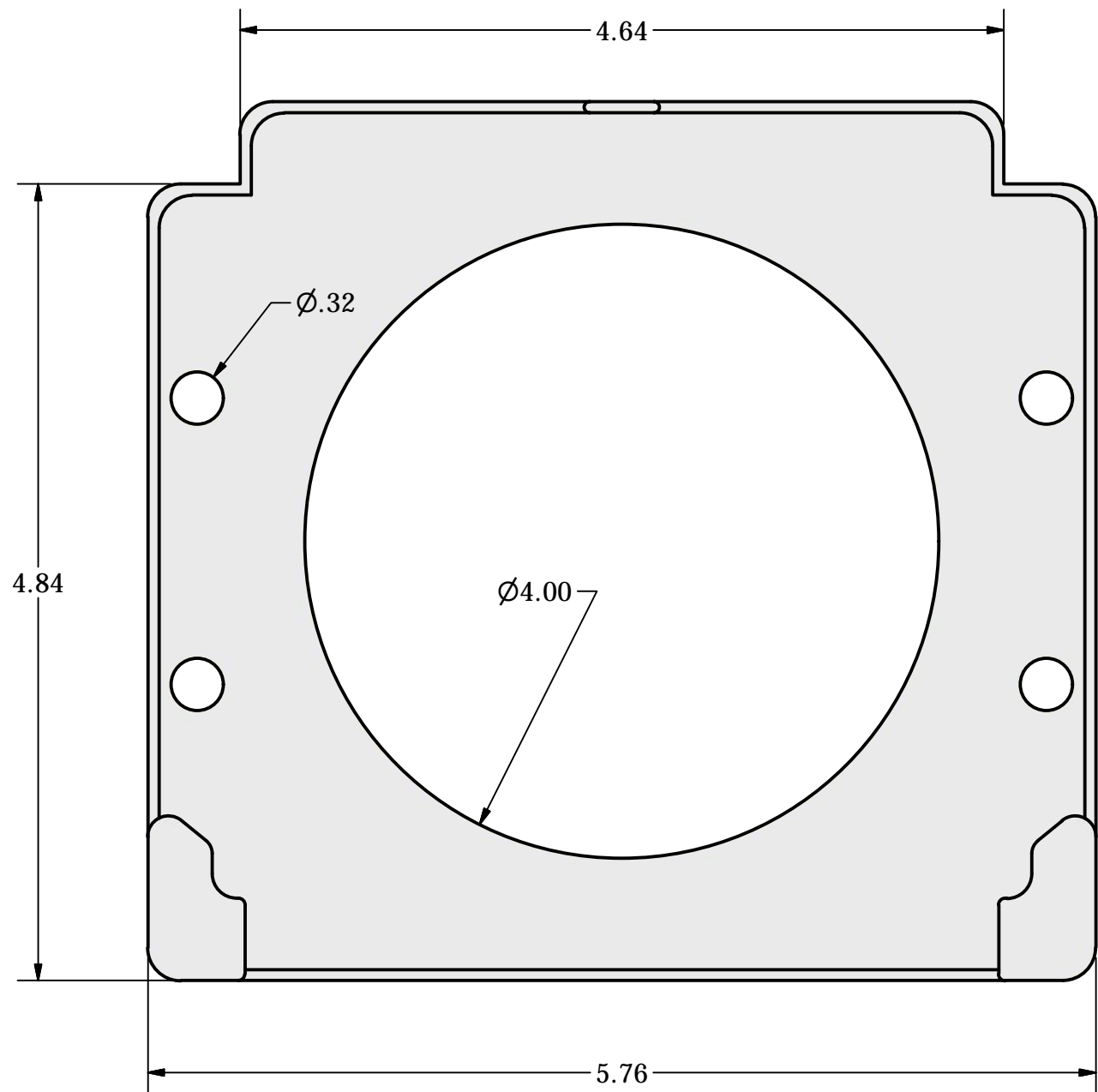


|                      |           |                    |              |     |
|----------------------|-----------|--------------------|--------------|-----|
| DRAWN<br>George Awad | 10/1/2013 | Lambro             |              |     |
| CHECKED              |           | TITLE              |              |     |
| QA                   |           | 4" Under Eave Vent |              |     |
| MFG                  |           | SIZE               | DWG NO       | REV |
| APPROVED             |           | C                  | 143W         |     |
|                      |           | SCALE              | SHEET 1 OF 1 |     |



SECTION B-B  
SCALE 1 : 1

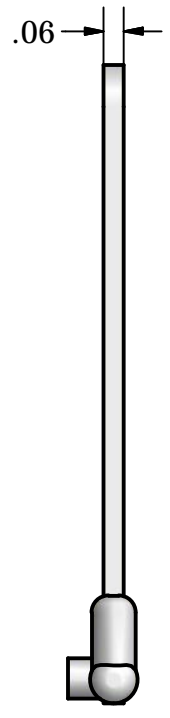
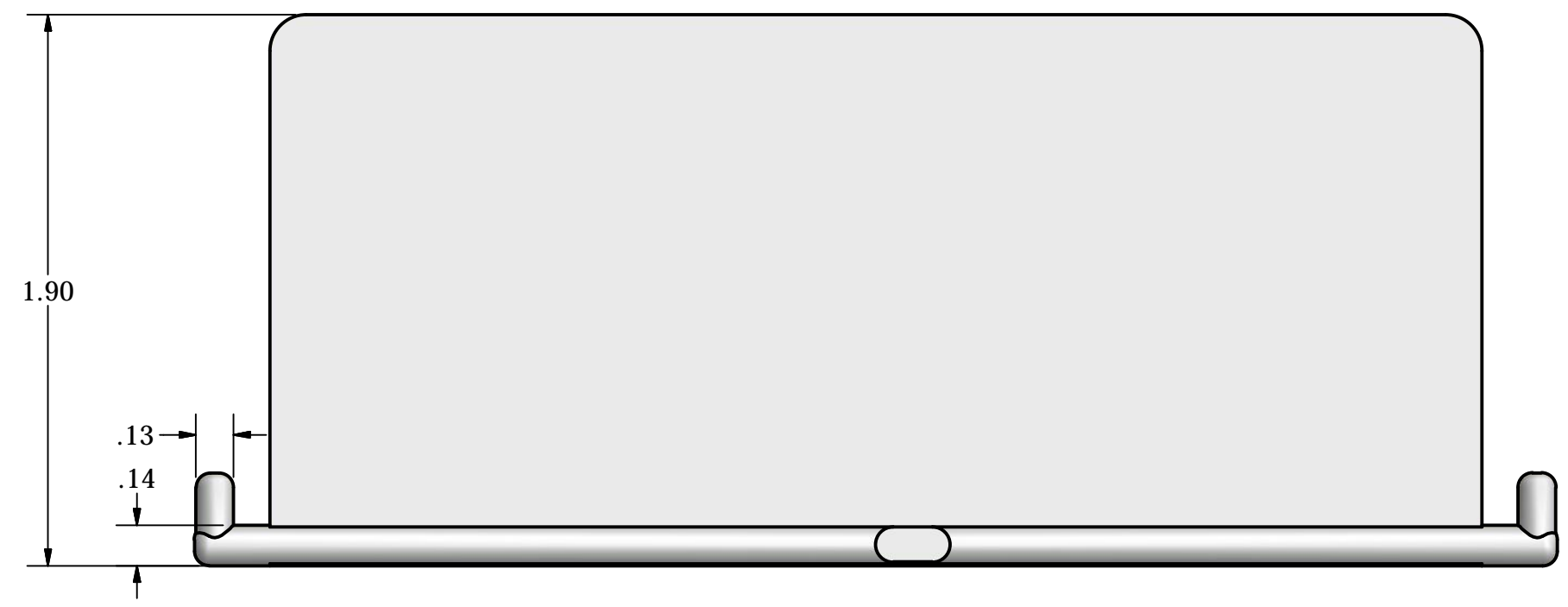
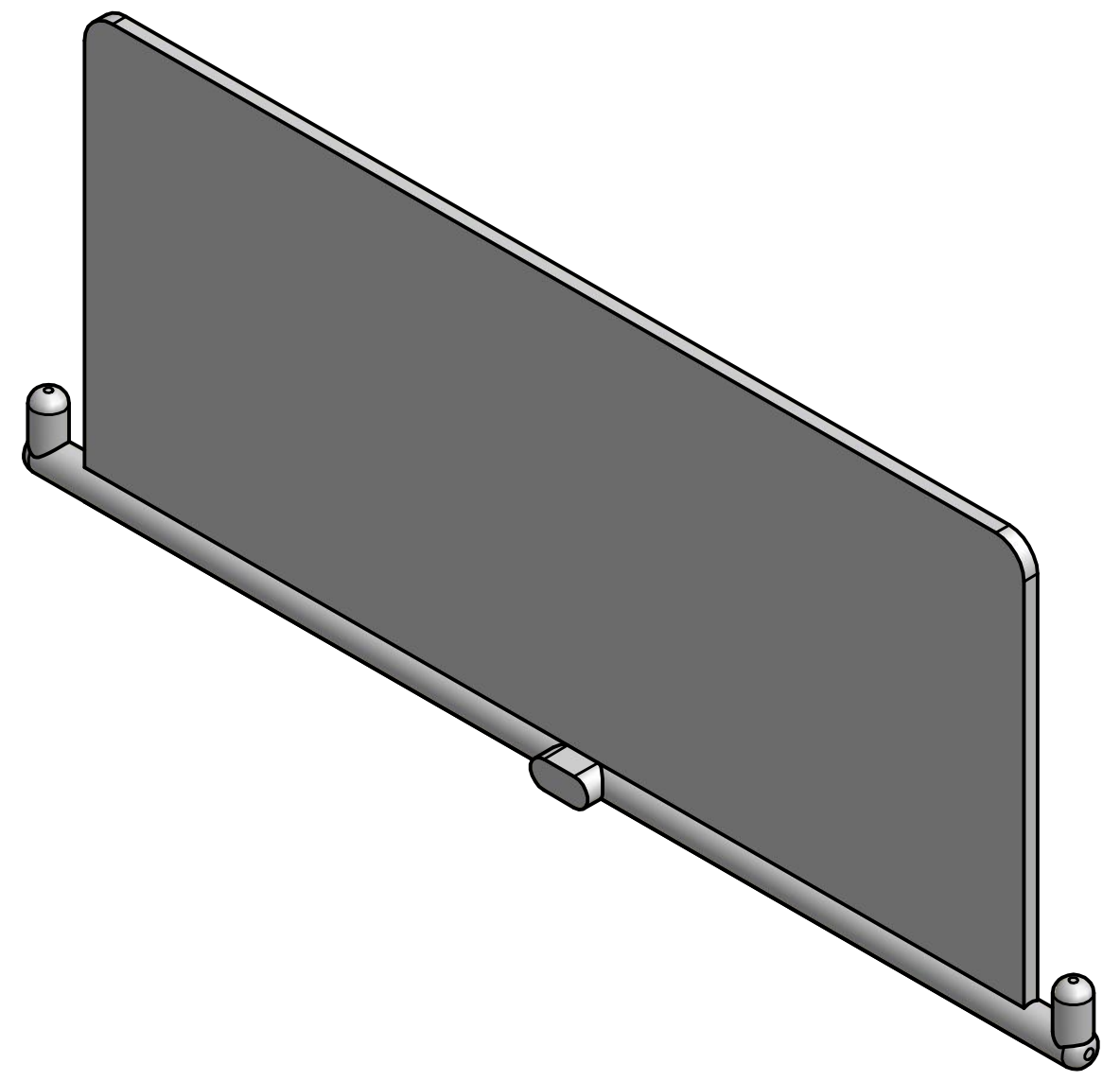
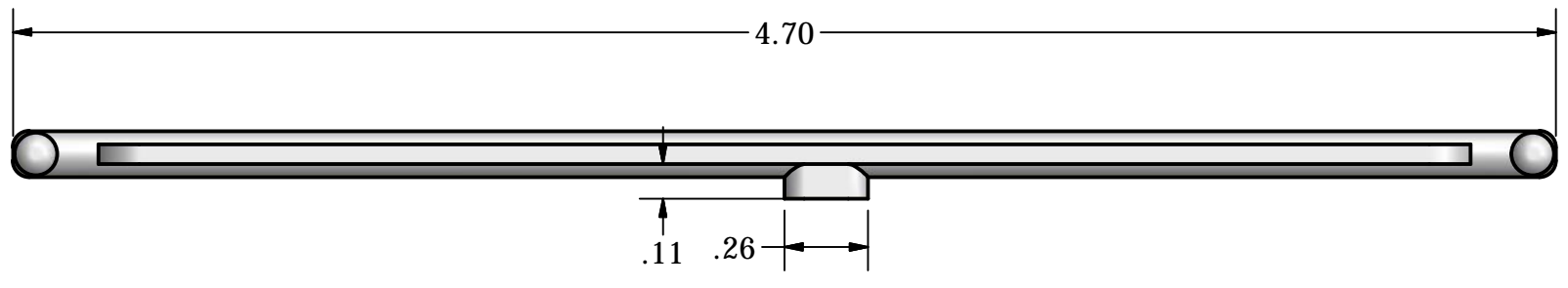
|                      |           |                           |              |     |
|----------------------|-----------|---------------------------|--------------|-----|
| DRAWN<br>George Awad | 10/1/2013 | Lambro                    |              |     |
| CHECKED              |           | TITLE                     |              |     |
| QA                   |           | 4" Under Eave Vent - Base |              |     |
| MFG                  |           | SIZE                      | DWG NO       | REV |
| APPROVED             |           | C                         | 00143WA01    |     |
|                      |           | SCALE                     | SHEET 1 OF 1 |     |

PRODUCED BY AN AUTODESK EDUCATIONAL PRODUCT

PRODUCED BY AN AUTODESK EDUCATIONAL PRODUCT

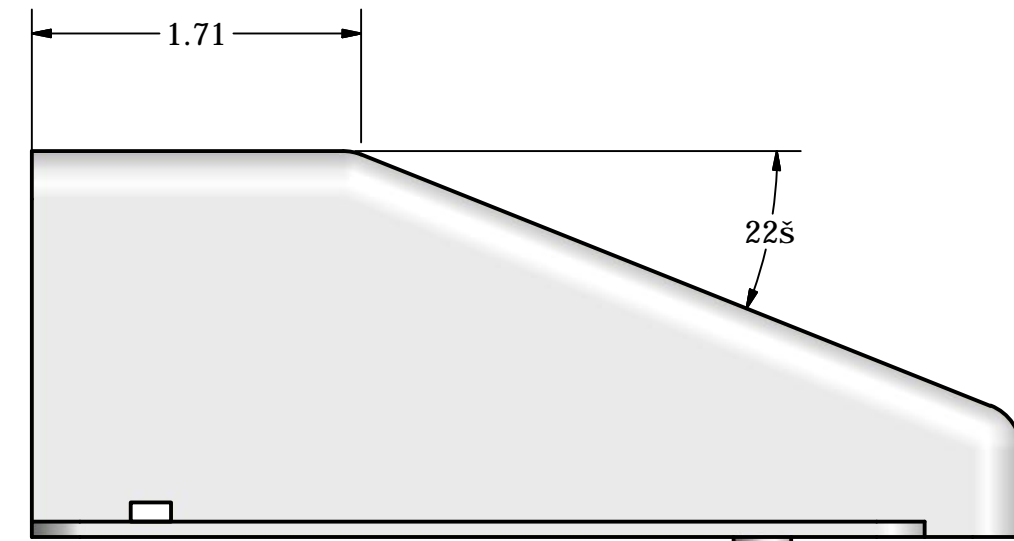
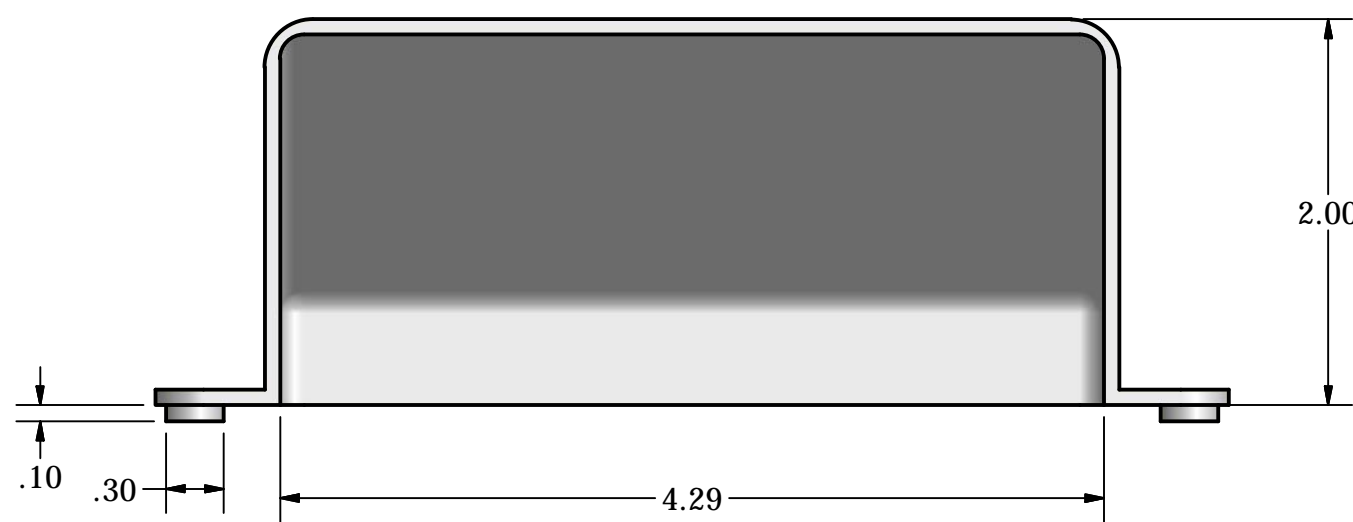
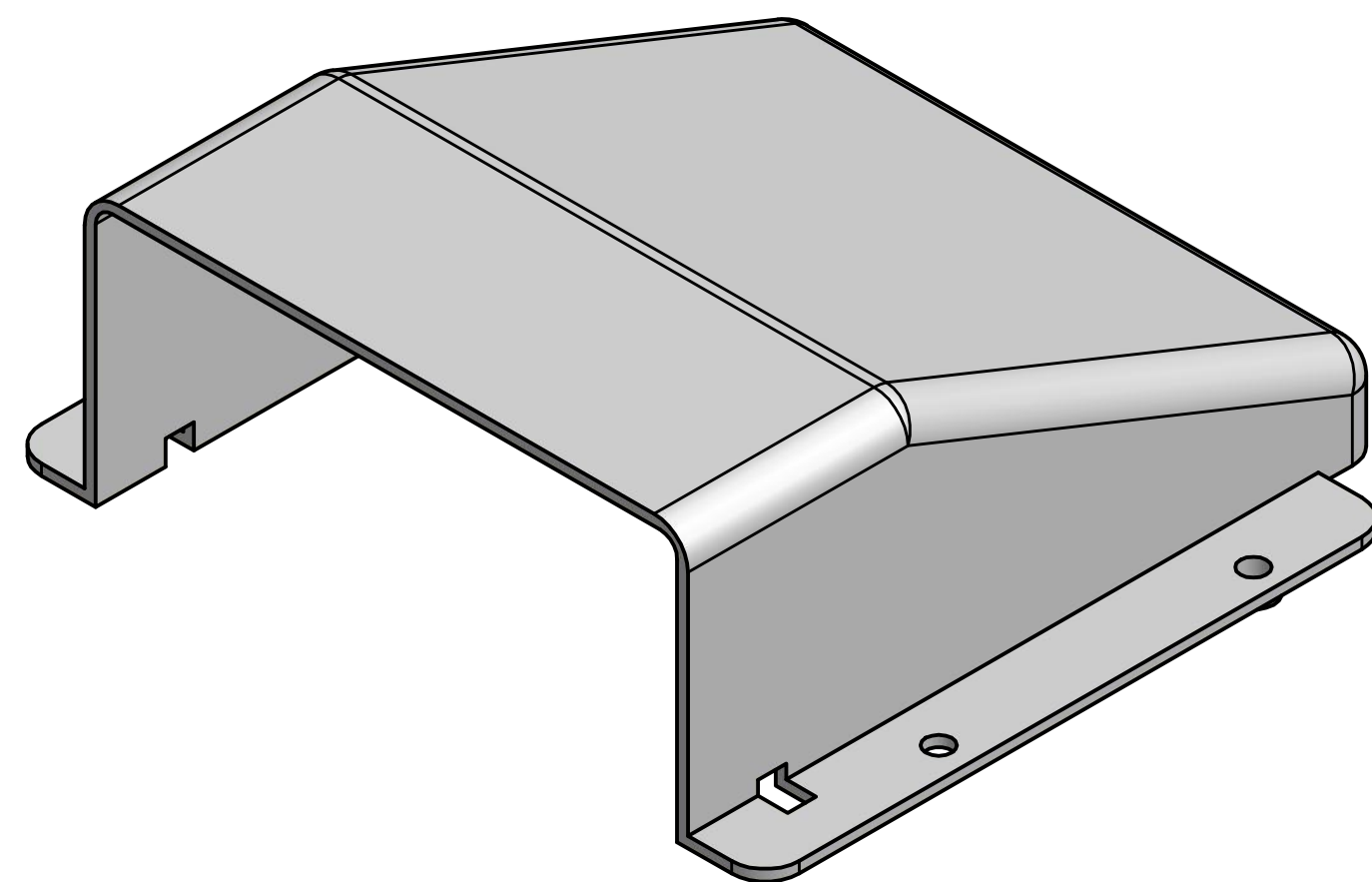
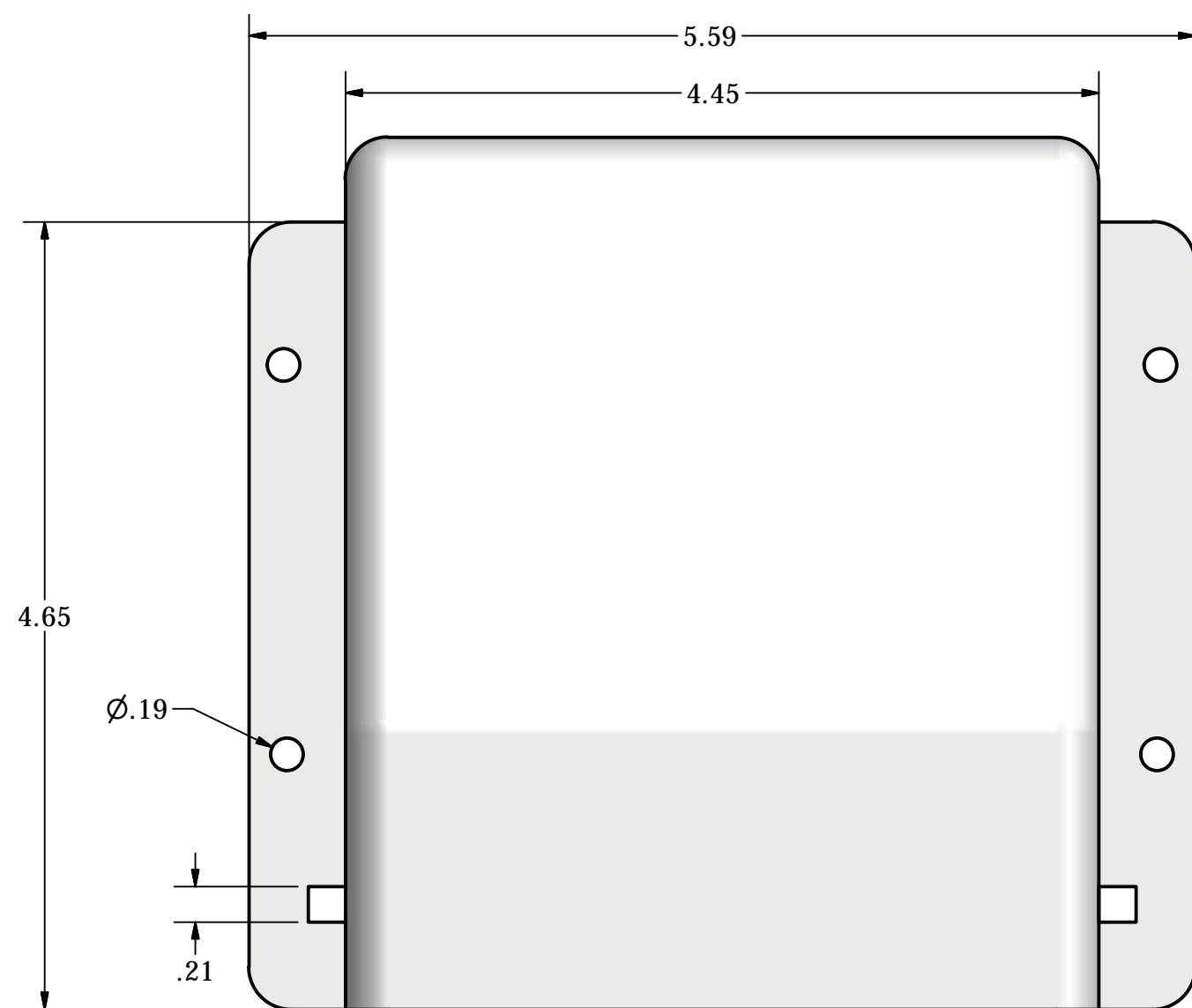
4 3 2 1

D  
C  
B  
A



|                      |           |                           |              |     |
|----------------------|-----------|---------------------------|--------------|-----|
| DRAWN<br>George Awad | 10/1/2013 | Lambro                    |              |     |
| CHECKED              |           | TITLE                     |              |     |
| QA                   |           | 4" Under Eave Vent - Flap |              |     |
| MFG                  |           | SIZE                      | DWG NO       | REV |
| APPROVED             |           | C                         | 00143WA03    |     |
|                      |           | SCALE                     | SHEET 1 OF 1 |     |

4 3 2 1



|                      |           |                          |              |     |
|----------------------|-----------|--------------------------|--------------|-----|
| DRAWN<br>George Awad | 10/1/2013 | Lambro                   |              |     |
| CHECKED              |           | TITLE                    |              |     |
| QA                   |           | 4" Under Eave Vent - Top |              |     |
| MFG                  |           | SIZE                     | DWG NO       | REV |
| APPROVED             |           | C                        | 00143WA02    |     |
|                      |           | SCALE                    | SHEET 1 OF 1 |     |