

AVAILABLE MODELS

- 441093 Stainless Steel
- 441091 White
- 441092 Biscuit
- 441321 Biscotti
- 441094 Cafe Brown
- 441322 Truffle
- 442228 Metallic Gray
- 441481 Cinder
- 441090 Anthracite

FEATURES

- Two piece strainer
- Color coordinated to compliment SILGRANIT sinks
- Molded from Celcon plastic material for high resistance to chips and scratches
- Push pull basket with positive rubber seal
- Extra heavy slip nut

WARRANTY

BLANCO'S sink grids feature a LIMITED 1 YEAR WARRANTY to be free of all manufacturing defects under normal use. See our complete warranty for details.

While BLANCO endeavors to provide accurate information, all dimensions are nominal, cannot be guaranteed, and are subject to change or cancellation. BLANCO assumes no responsibility for use of superseded or voided specifications.

JOB INFORMATION

Job Name: _____

Contact: _____

Date Specified: _____

Specifier: _____

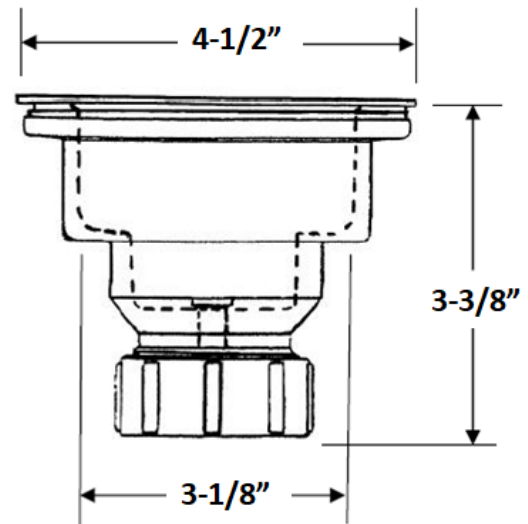
Contractor: _____



Model Shown
Anthracite

NOMINAL DIMENSIONS

Diameter	HEIGHT
4-1/2"	3-3/8"



BLANCO AMERICA

800.451.5782

www.blancoamerica.com

© 2018 BLANCO AMERICA

1/18

SPEC-001