

FEATURED MODEL

442208 ATURA Pull-Down 1.5 gpm, STAINLESS

ADDITIONAL MODELS

- 442205 2.2 gpm, CHROME
- 442206 2.2 gpm, STAINLESS
- 442207 1.5 gpm, CHROME Finish

FEATURES

- Solid brass body
- Ceramic disk cartridge
- Pull-down spray
- 1.5 GPM flow rate
- Installation in a 1-3/8" hole
- Color coded hot and cold supply lines
- 360 degree spout swivel
- Maximum deck thickness 2-1/4"

OPTIONAL ACCESSORIES

- ATURA Bar Faucet 442210 STAINLESS
- SONOMA Soap Dispenser 441758 STAINLESS

CODE/STANDARDS COMPLIANCE

ASME A112.18.1-2012/CSA B125.1-12
 IAPMO Listed

WARRANTY

BLANCO'S kitchen and bar faucets feature a LIMITED LIFETIME WARRANTY to be free of all manufacturing defects under normal use. See our complete warranty for details.

While BLANCO endeavors to provide accurate information, all dimensions are nominal, cannot be guaranteed, and are subject to change or cancellation. BLANCO assumes no responsibility for use of superseded or voided specifications.

JOB INFORMATION

Job Name: _____

Contact: _____

Date Specified: _____

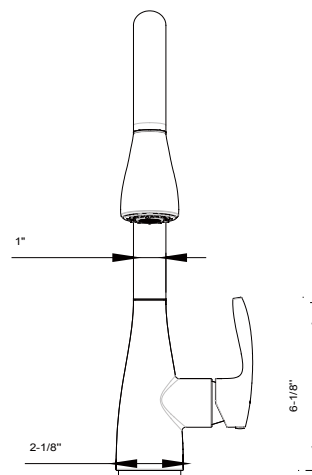
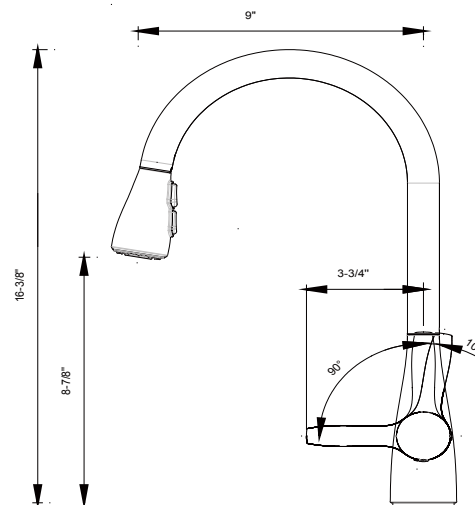
Specifier: _____

Contractor: _____

NOMINAL DIMENSIONS

Model 442206 shown

REACH	SPOUT HEIGHT	FAUCET HEIGHT
9"	8-7/8"	16-3/8"



See next page for exploded parts drawing and parts list.

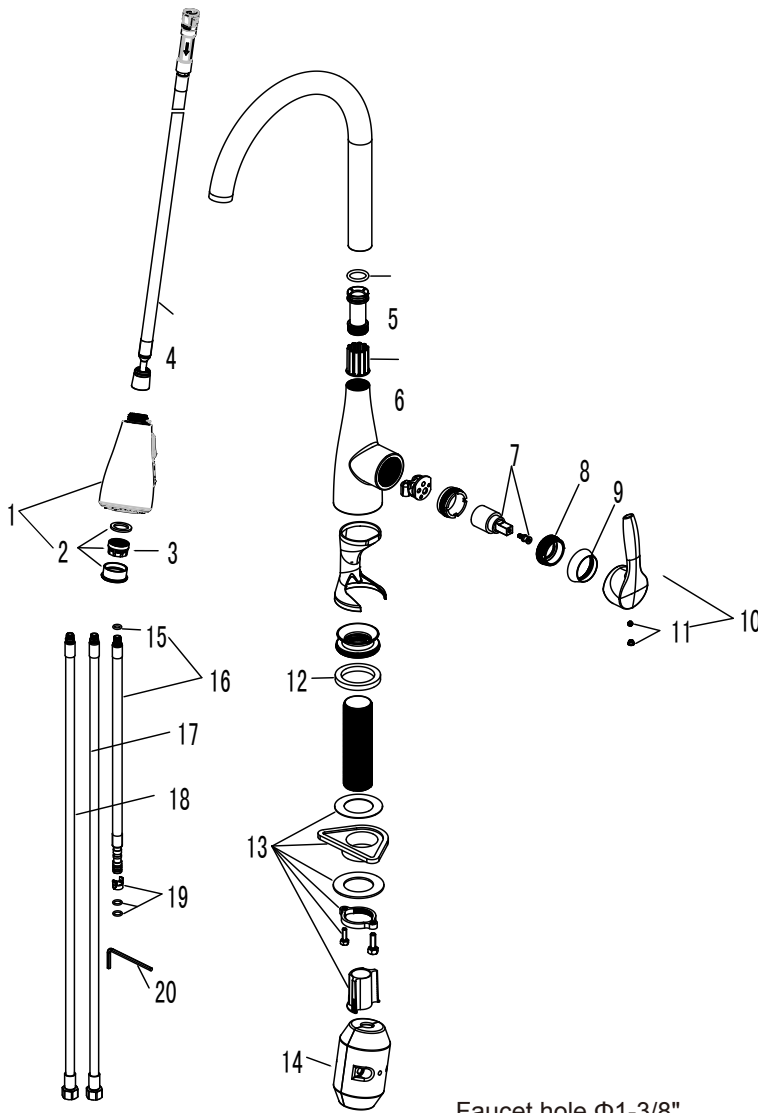
BLANCO AMERICA

800.451.5782
 www.blancoamerica.com

© 2017 BLANCO AMERICA

1/17

SPEC-001



Faucet hole Φ 1-3/8"

REPAIR PART GUIDE

Diagram#	Description	Part#
1	Handspray Chrome	442243
1	Handspray Stainless	442244
2	Aerator Kit	442245
3	Aerator	442272
4	Spray Hose 2.2GPM	442246
4	Spray Hose 1.5GPM	442247
5	O-Ring	442248
6	Lining	442249
7	Cartridge Assembly	442250
8	Cartridge Locking Nut	442251
9	Cartridge Cap Chrome	442252
9	Cartridge Cap Stainless	442253
10	Handle Chrome	442254
10	Handle Stainless	442255
11	Handle Screw And Cap Chrome	442256
11	Handle Screw And Cap Stainless	442257
12	Sealing Ring	442258
13	Mounting Kit	442259
14	Weight	442260
15	O-Ring	442261
16	Supply Line	442262
17	Cold Water Supply Line(Blue)	442263
18	Hot Water Supply Line(Red)	442264
19	Connector And O-Ring	442265
20	Hex Key	442266

Need to Change a Faucet Cartridge?



Scan this QR code
to see our how-to video

For faucet technical support or questions,
please e-mail us at blanco@blancoamerica.com