

FEATURED MODEL

515823 Super Single, 10" bowl depth

ADDITIONAL MODELS

513686 Super Single, 10" bowl depth

516216 Super Single with 16" Drainer, 10" bowl depth

516215 Medium Single with 16" Drainer, 10" bowl depth

FEATURES

- Required outside cabinet: 36"
- 18 gauge, 304 series stainless steel
- 18/10 chrome/nickel content
- Handcrafted from a single panel of stainless steel
- 10mm radius corners
- Elegant and functional drain grooves
- Satin Polished Finish
- Sound deadening pads
- Rear drain placement
- 16" design allows easy install in standard 25" countertops



OPTIONAL ACCESSORIES

Stainless Steel Sink Grid: 223192

Glass Cutting Board: 224390

Colander: 224387

Walnut Compound Cutting Board: 232002

CODE/STANDARDS COMPLIANCE

ASME 112.19.3-00

IAPMO/UPC listed

WARRANTY

Blanco America's STEELART™ sinks feature a LIMITED LIFETIME WARRANTY to be free of all manufacturing defects under normal use. See our complete warranty for details.

While Blanco America endeavors to provide accurate information, all dimensions are nominal, cannot be guaranteed, and are subject to change or cancellation. Blanco America assumes no responsibility for use of superseded or voided specifications.

JOB INFORMATION

Job Name: _____

Contact: _____

Date Specified: _____

Specifier: _____

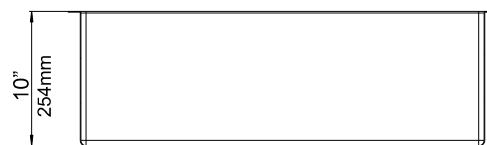
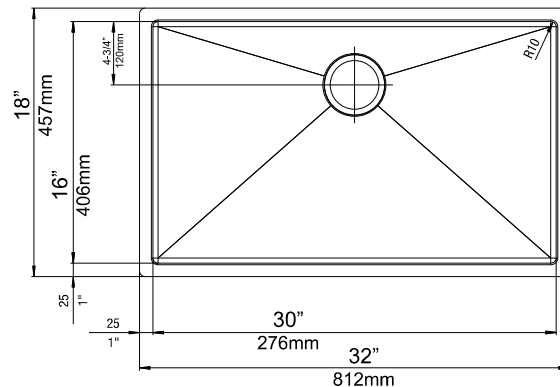
Contractor: _____

NOMINAL DIMENSIONS

Model 515823 shown

OVERALL	CUT OUT SIZE	BOWL DEPTH	DRAIN
32" x 18"	Template provided with approximate 1/8" reveal	10"	3-1/2"

DXF cutout templates available on our website.



BLANCO AMERICA

800.451.5782

www.blancoamerica.com

© 2013 BLANCO AMERICA

7/13

SPEC-003