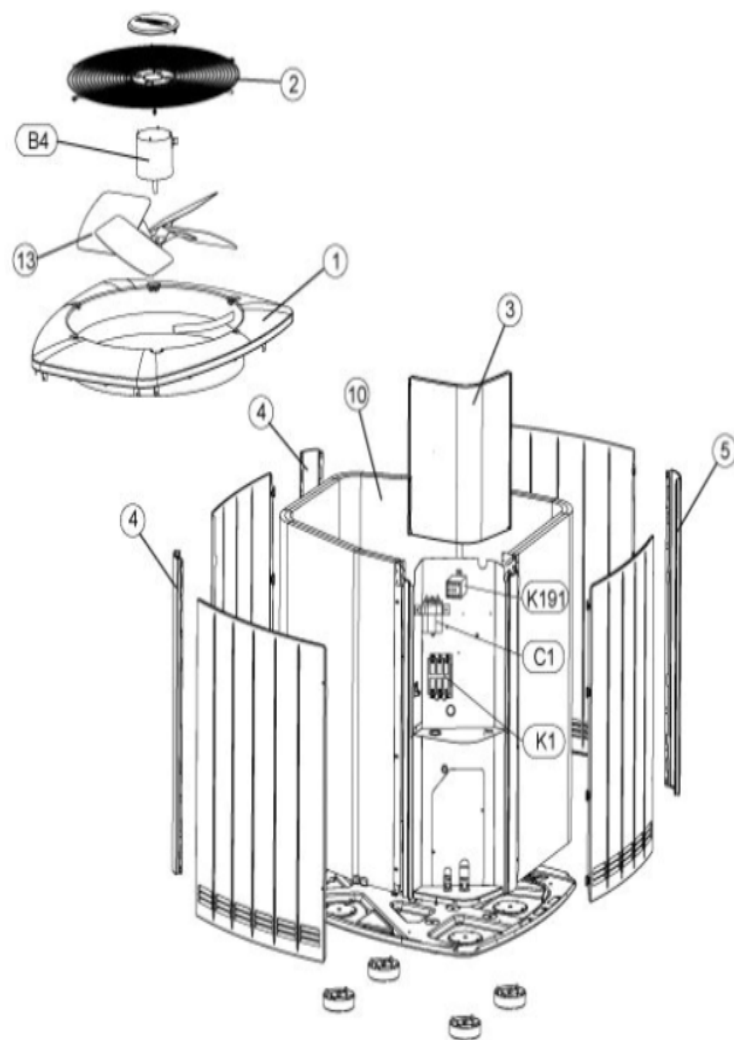
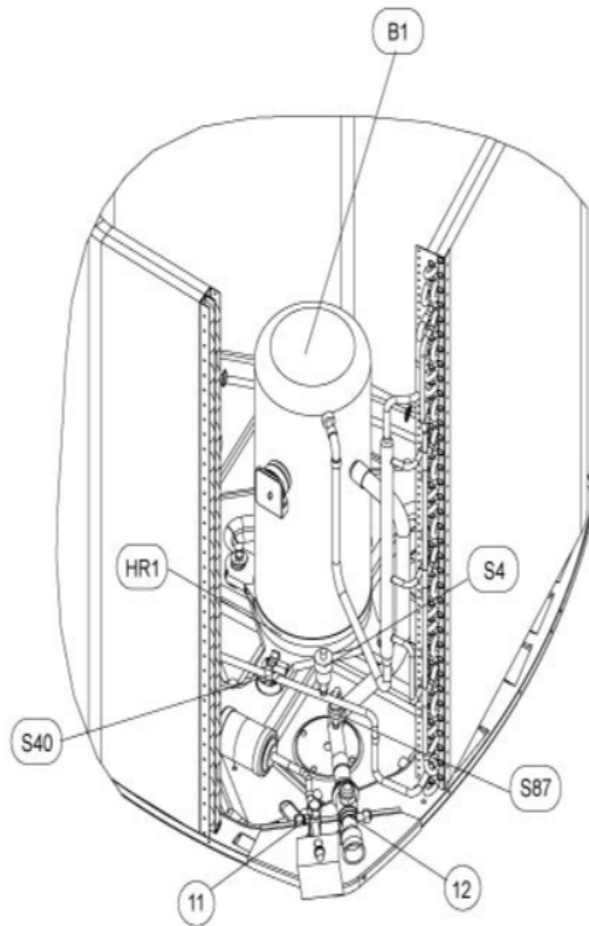


SSB SERIES



SSB SERIES



Revision Number - 3

CABINET PARTS

Callout	Name	Quantity	Description
	NUT-CAP Cat #: 85M56 Model/Part #: 100094-01	4	MOTOR
	LEG Cat #: 29W58 Model/Part #: 101263-01	2	BASE (FRONT) (G VOLTAGE)
	LEG Cat #: 29W59 Model/Part #: 101263-02	2	BASE (REAR) (G VOLTAGE)
	COVER Cat #: 69J03 Model/Part #: 69J0301	1	SOUND-COMPRESSOR (OPTIONAL)
	PANEL-FRONT Cat #: 86M02 Model/Part #: LB-107755-36	1	5 LOUVER
	PANEL Cat #: 86M07 Model/Part #: LB-107756-36	1	6 LOUVER
	PANEL Cat #: 86M12 Model/Part #: LB-107757-36	1	7 LOUVER
	PANEL-SIDE Cat #: 86M22 Model/Part #: LB-107759-36	1	9 LOUVER
	COVER Cat #: 17W05 Model/Part #: LB-111270G	1	PATCH PLATE
1	PANEL-TOP Cat #: 23W15 Model/Part #: LB-107685	1	PANEL - TOP (LARGE)
2	GRILLE-DISCHARGE Cat #: 34W50 Model/Part #: 100062-03	1	GRILLE (DISCHARGE)
3	COVER-CONTROL BOX Cat #: 44W13 Model/Part #: LB-110901	1	COVER - CONTROL BOX (LARGE)
4	CORNER POST Cat #: 85M77 Model/Part #: LB-107737-36	2	FRONT
5	CORNER POST Cat #: 85M82 Model/Part #: LB-107738-36	1	REAR

CONTROL PANEL PARTS

Callout	Name	Quantity	Description
C1	CAPACITOR-MOTOR Cat #: 22W79 Model/Part #: 100600-02	1	"7.5MFD,370VAC (460V)"
C1	CAPACITOR-RUN Cat #: 22W80 Model/Part #: 100600-03	1	10 MFD @ 370V (208-230V)
K1	CONTACTOR Cat #: 95M57 Model/Part #: 100438-03	1	"3PDT,24V"
K191	RELAY Cat #: 56L68 Model/Part #: 56L6801	1	"SPDT, 24V (460 VOLT)"

COOLING PARTS

Callout	Name	Quantity	Description
	RELAY-OVERLOADCOMP-INTERNAL Cat #: Model/Part #:	1	
	CORE-VALVE Cat #: 95M48 Model/Part #: 100210-01	2	CORE - VALVE
	DRIER Cat #: 95M52 Model/Part #: 100214-03	1	LIQUID LINE (FOOTNOTE 1)
	FITTING-PRESS TAP Cat #: 95M47 Model/Part #: 100520-01	2	FITTING - PRESSURE TAP (BRASS)
	HARNESS-COMPRESSOR Cat #: 15M36 Model/Part #: 15M3601	1	MOLDED PLUG- POWER
	HARNESS-COMP Cat #: 38M48 Model/Part #: 38M4801	1	MOLD PLUG FOR 2ND STAGE
	MOUNT PKG-COMP Cat #: 54M63 Model/Part #: 54M63	1	LB-106528 COMPRESSOR MTG KIT
	DRIER Cat #: 88K45 Model/Part #: 88K4501	1	SUCTION LINE (OPTIONAL)
10	COIL-OUTDOOR Cat #: 16W97 Model/Part #: LB-110660M	1	W/MANIFOLD

Callout	Name	Quantity	Description
11	VALVE-SERVICE Cat #: 10W32 Model/Part #: 100432-01	1	"LIQUID LINE, 3/8""
12	VALVE-SERVICE Cat #: 88M12 Model/Part #: 100281-01	1	VALVE-BALL 7/8 X 1-1/8 IN
13	FAN Cat #: 13W85 Model/Part #: 100060-17	1	"1/2""BORE,26""DIA,3 BLADE"
B1	COMPRESSOR Cat #: 23W18 Model/Part #: 100504-07	1	4.5 TON,208-230/60/3,COPE (FOOTNOTE 1)
B1	COMPRESSOR Cat #: 69M76 Model/Part #: 69M7601	1	"4.5 TON,460/60/3,COPE (FOOTNOTE 1)"
B4	MOTOR-FAN Cat #: 25W18 Model/Part #: 100483-10	1	"1/3P, 825 RPM,460/60/1"
B4	MOTOR-FAN Cat #: 69W97 Model/Part #: 100483-30	1	1/3HP, 825RPM, 208-230/60/1
HR1	HEATER-CRANKCASE Cat #: 93M06 Model/Part #: 100499-03	1	240V, 70 WATT
HR1	HEATER-CRANKCASE Cat #: 93M14 Model/Part #: 100499-11	1	"480 VOLT, 40 WATT"
S4	SWITCH-HI PRESS-AUTO Cat #: 93W01 Model/Part #: 100087-12	1	SWITCH -HI PRESS - AUTO (AFTER 4/2/12)
S40	THERMOSTAT SPST OPEN@70°F CLOSE@50°F 40" Cat #: 95M54 Model/Part #: 100503-01	1	"CC HEATER OPEN 70F, CLOSE 50F"
S4A	SWITCH-HI PRESS Cat #: 85M57 Model/Part #: 100103-01	1	SWITCH - HI PRESS - MANUAL (PRE 4/2/12)
S87	SWITCH-LO PRESS-AUTO Cat #: 88M98 Model/Part #: 100087-03	1	"IN 90 PSIG, OUT 40 PSIG"

Note:

Note1: Compressor uses POE oil. The filter drier MUST BE replaced at time of compressor change. Please advise customer of this requirement at time of order. (The filter drier is excluded from the Lennox Quality Care Limited Warranty).