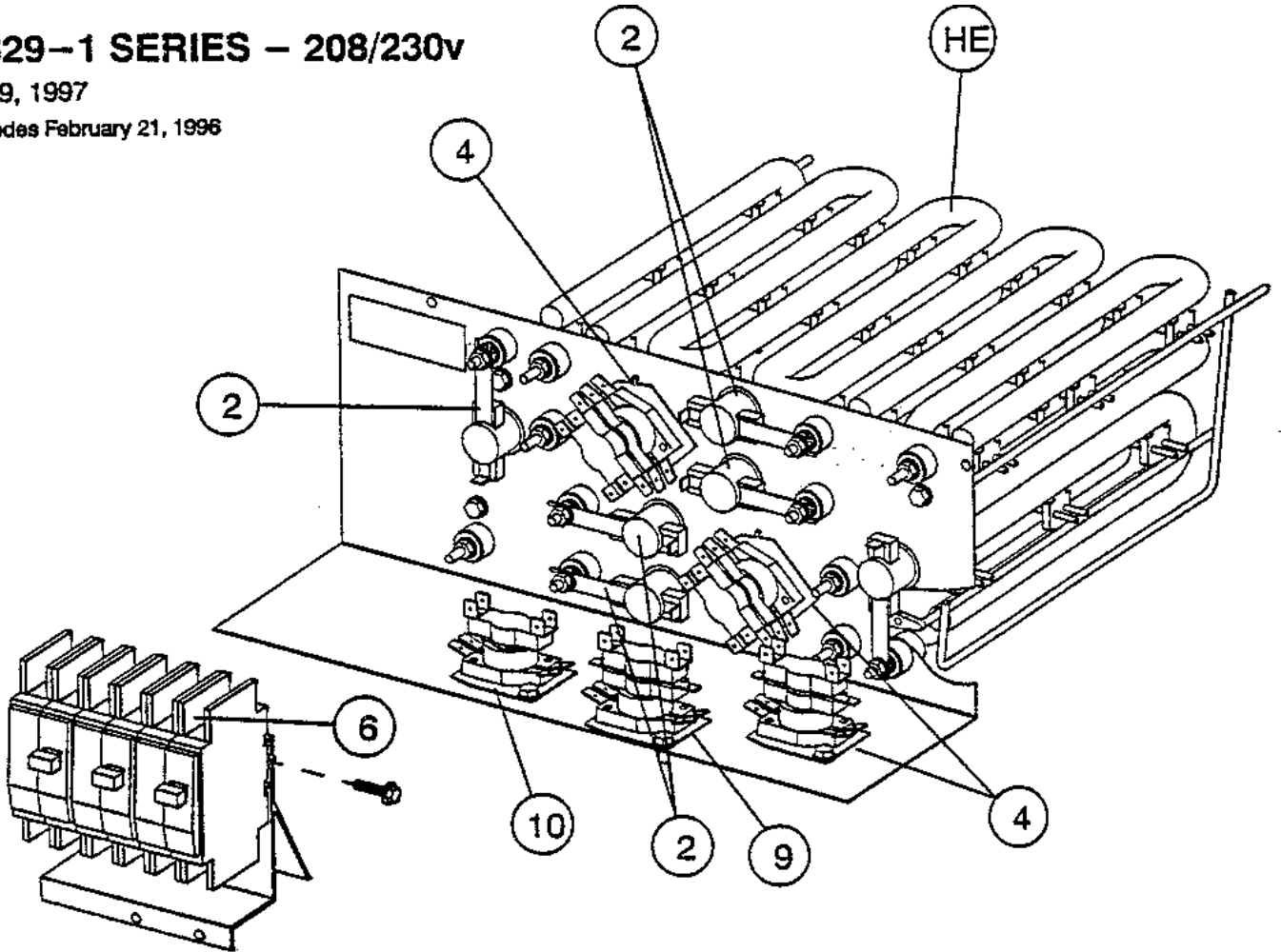


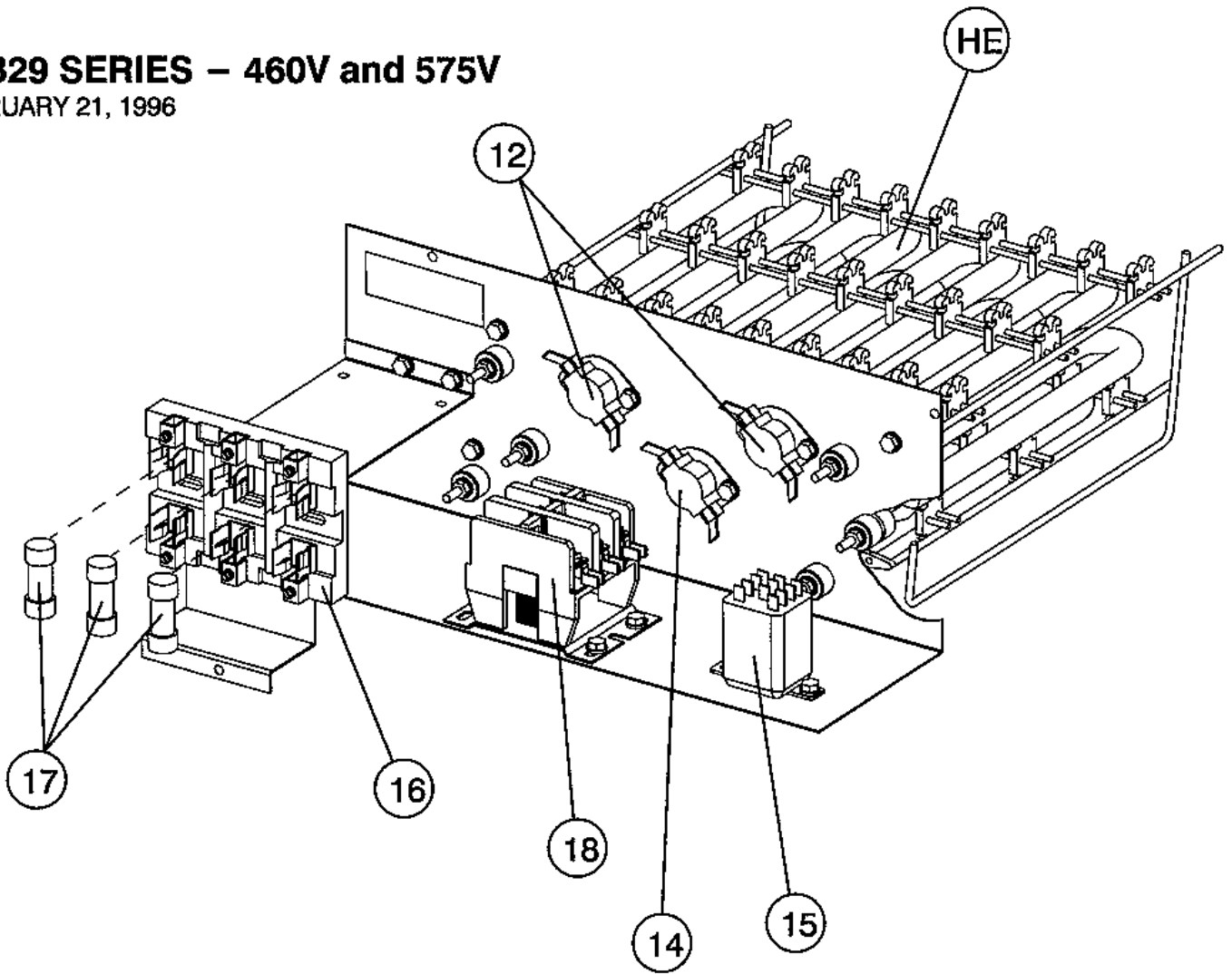
ECB29-1 SERIES - 208/230v

MAY 19, 1997

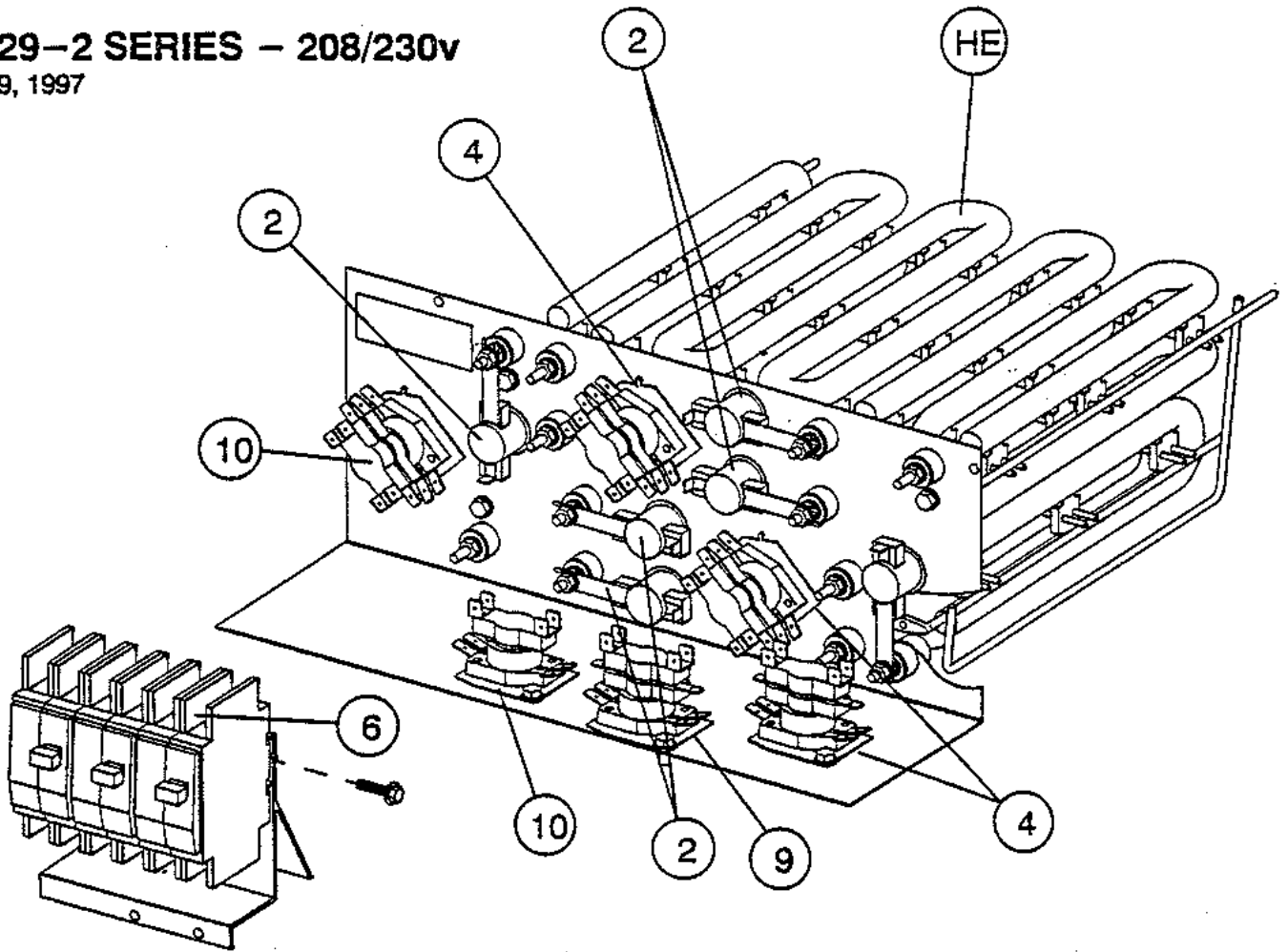
Supersedes February 21, 1996



ECB29 SERIES – 460V and 575V
FEBRUARY 21, 1996



ECB29-2 SERIES - 208/230v
MAY 19, 1997



ECB29-15CB				DASH/Revision # with Qty					
Key	Part Name	Part Number	Description	1	2	3	4	5	6
Category:HEATING PARTS									
HE			RESTRING KIT NA - ORDER HEAT S TRIP						1
12	CONTROL-LIMIT	49K6101	"IN 300F,SPST(460V)"	2					
	COVER-CIRCUIT BREA KER	100510-01	COVER-CIRCUIT BREAKER			1	1	1	1
14	CONTROL-LIMIT	18H0101	"140-100,SPST(460V)"	1					
15	RELAY	69J5801	"3PDT,24V(460V)"	1					
16	BLOCK-FUSE	33G8501	"600VAC,3 POLE(460V)"	1					
17	FUSE	33G7701	"600VAC,25AMP(460V)"	3					
18	CONTACTOR	P-8-7736	"3PDT,24V(460V)"	1					
2	18K6901 CONTROL-LI MIT	18K69	18K6901 CONTROL-LIMIT				3	3	
2	CONTROL LIMIT	103435-01	"OPEN 250F N.C.,SPST(208/230V- 1PH)"			3			
2	CONTROL-LIMIT	100611-10	"140-95,SPST(208/230V-1PH)"			3			
2	CONTROL-LIMIT	104047-01	CONTROL-LIMIT						3
2	CONTROL-LIMIT	18K6901	"150-115,SPST"	3	3				
4	RELAY	72F8301	THERMAL.N.O.24V(208/230V)	2	2	2	2	2	
4	RELAY THERMAL (111 001354)	104284-01	RELAY THERMAL						2
6	SWITCH-CB	17K7201	"2 POLE,60AMP(208/230V-1PH)"	1	1	1	1	1	1
6	SWITCH-CIRC BREAKE R	41K1701	"3 POLE,60AMP(208/230V-3PH)"	1	1				
	ADAPTER	83A9401	TERMINAL	3					
	BRACKET-CB	41K6101	(3 PH)	1	1	1			
	BRKT-CIRC BREAKER	41K5901	(1 PH)	1	1				
	CONTACTOR	P-8-7716	CONTACTOR, 3 POLE 40A (3 PH)						
	PLUG	P-8-10692	MALE-9 PIN	1	1	1	1	1	
	SWITCH-CB	41K1501	"3 POLE,50AMP(208/230V-3PH)"			1			
9	RELAY	14B0501	"THERMAL,N.O.24V(1PH)"		1	1	1	1	

ECB29-15CB				DASH/Revision # with Qty					
Key	Part Name	Part Number	Description	1	2	3	4	5	6
9	RELAY	58C9701	"THERMAL,N.O.24V(3PH)"		1	1			
9	RELAY THERMAL (111 002748)	104284-02	RELAY THERMAL						1
6	CIRCUIT BREAKER	17K7001	"2 POLE,30AMP(208/230V-1PH)"			1	1	1	1
6	SWITCH-CB	41K1501	SWITCH-CIRCUIT BREAKER - 3-POL E 50AMP						
	RELAY THERMAL (111 002749)	104284-03	RELAY THERMAL						
HE	ELEMENT-ELEC	LB-81453CAW	"5KW,460V(3PH-REPL WIRE KIT)"	3					
HE	ELEMENT-ELECT	LB-81453CCJ	"5KW,240V(1&3PH-REPL WIRE KIT) "	3	3	3	3	3	

ECB29-15CB				DASH/Revision # with Qty	
Key	Part Name	Part Number	Description	7	4Y
Category:HEATING PARTS					
HE			RESTRING KIT NA - ORDER HEAT S TRIP	1	
12	CONTROL-LIMIT	49K6101	"IN 300F,SPST(460V)"		
	COVER-CIRCUIT BREA KER	100510-01	COVER-CIRCUIT BREAKER	1	1
14	CONTROL-LIMIT	18H0101	"140-100,SPST(460V)"		
15	RELAY	69J5801	"3PDT,24V(460V)"		
16	BLOCK-FUSE	33G8501	"600VAC,3 POLE(460V)"		
17	FUSE	33G7701	"600VAC,25AMP(460V)"		
18	CONTACTOR	P-8-7736	"3PDT,24V(460V)"		
2	18K6901 CONTROL-LI MIT	18K69	18K6901 CONTROL-LIMIT		3
2	CONTROL LIMIT	103435-01	"OPEN 250F N.C.,SPST(208/230V- 1PH)"		
2	CONTROL-LIMIT	100611-10	"140-95,SPST(208/230V-1PH)"		
2	CONTROL-LIMIT	104047-01	CONTROL-LIMIT	3	
2	CONTROL-LIMIT	18K6901	"150-115,SPST"		
4	RELAY	72F8301	THERMAL.N.O.24V(208/230V)		
4	RELAY THERMAL (111 001354)	104284-01	RELAY THERMAL	1	
6	SWITCH-CB	17K7201	"2 POLE,60AMP(208/230V-1PH)"	1	1
6	SWITCH-CIRC BREAKE R	41K1701	"3 POLE,60AMP(208/230V-3PH)"		
	ADAPTER	83A9401	TERMINAL		
	BRACKET-CB	41K6101	(3 PH)		1
	BRKT-CIRC BREAKER	41K5901	(1 PH)		
	CONTACTOR	P-8-7716	CONTACTOR, 3 POLE 40A (3 PH)		1
	PLUG	P-8-10692	MALE-9 PIN		1
	SWITCH-CB	41K1501	"3 POLE,50AMP(208/230V-3PH)"		1
9	RELAY	14B0501	"THERMAL,N.O.24V(1PH)"		

ECB29-15CB				DASH/Revision # with Qty	
Key	Part Name	Part Number	Description	7	4Y
9	RELAY	58C9701	"THERMAL,N.O.24V(3PH)"		
9	RELAY THERMAL (111 002748)	104284-02	RELAY THERMAL	1	
6	CIRCUIT BREAKER	17K7001	"2 POLE,30AMP(208/230V-1PH)"	1	
6	SWITCH-CB	41K1501	SWITCH-CIRCUIT BREAKER - 3-POL E 50AMP		1
	RELAY THERMAL (111 002749)	104284-03	RELAY THERMAL	1	
HE	ELEMENT-ELEC	LB-81453CAW	"5KW,460V(3PH-REPL WIRE KIT)"		
HE	ELEMENT-ELECT	LB-81453CCJ	"5KW,240V(1&3PH-REPL WIRE KIT) "		3

NOTE**URGENT******CB29M-31 Note:****

The current production ECB29-12.5 (28K37) & ECB29-15 (28K38) electric heaters will not fit into the cabinet of existing CB29M-31 air handlers. This applies to the current production ECB29-12.5 & ECB29-15 electric heaters manufactured by Nova Coil beginning in November 2011. The last production of the CB29M air handlers was in 2005.

If a dealer needs to add electric heat to a CB29M-31 one option to consider is to use a smaller electric heat section like an ECB29-10. If a dealer wants to replace an existing "failed electric heat section" he may have to order the individual failed component (sequencer, element wire kit etc) listed in the repair parts list.

THE 82W01 CIRCUIT BREAKER COVER IS HIGHLY RECOMMENDED FOR APPLICATIONS IN UNCONDITIONED SPACES.