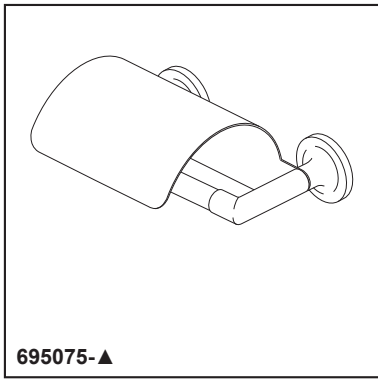


BRIZO®

ACCESSORIES

- Odin® Collection
- Covered Tissue Holder



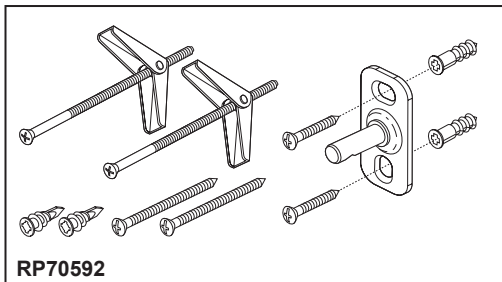
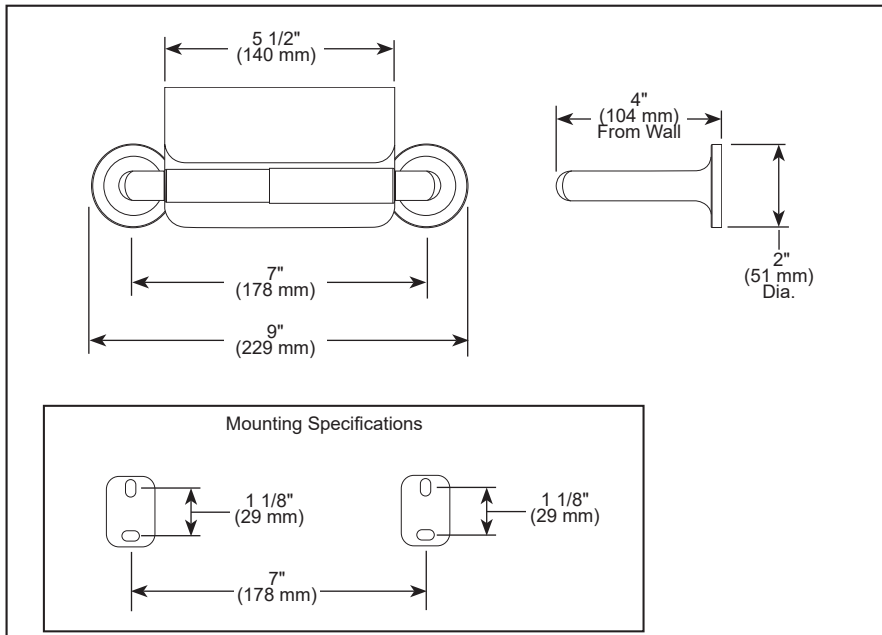
695075-▲

STANDARD SPECIFICATIONS:

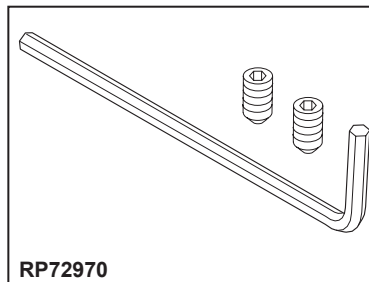
- Wood blocking is preferable behind all wall surfaces. If wood blocking is not available, try finding a wood stud to anchor at least one end of this accessory.
- Mounting hardware and mounting instructions included with product.
- Cover is removable.
- Note: Plastic anchors, screw, toggle bolts, and mounting brackets are included with the mounting hardware.

WARRANTY

- Parts and Finish – Lifetime limited warranty; or for commercial purchasers, 10 years for multi-family residential (apartments and condominiums) and 5 years for all other commercial uses, in each case from the date the product is received by the original purchaser or their authorized representative (installation contractor, etc.).
- Please go to www.brizo.com for the complete details of our limited warranty.



RP70592



RP72970

▲ Designate proper finish suffix