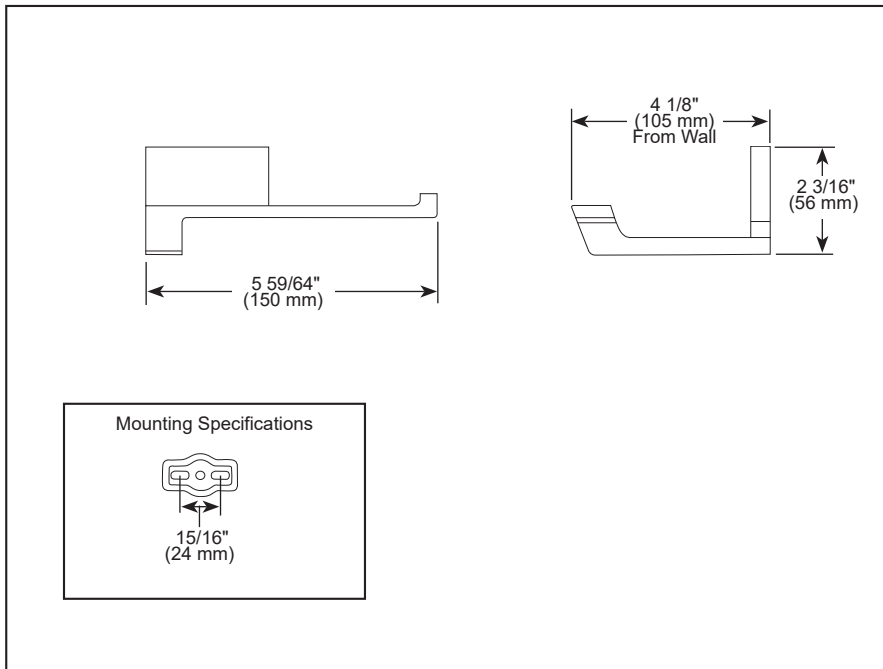
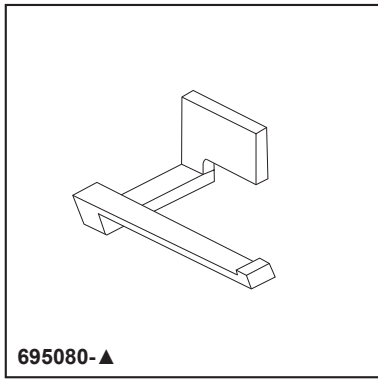


# BRIZO®

## ACCESSORIES

- Siderna® Bath Collection
- Tissue Holder



▲ Designate proper finish suffix

### STANDARD SPECIFICATIONS:

- Wood blocking is preferable behind all wall surfaces. If wood blocking is not available, the following fasteners are suggested: Tile/Masonry-Plastic or lead Anchors; Plaster/drywall-Toggle bolts.
- Mounting hardware and mounting instructions included with product.
- Note: Only plastic anchors are included with the mounting hardware.

### WARRANTY

- Parts and Finish – Lifetime limited warranty; or for commercial purchasers, 10 years for multi-family residential (apartments and condominiums) and 5 years for all other commercial uses, in each case from the date the product is received by the original purchaser or their authorized representative (installation contractor, etc.).
- Please go to [www.brizo.com](http://www.brizo.com) for the complete details of our limited warranty.