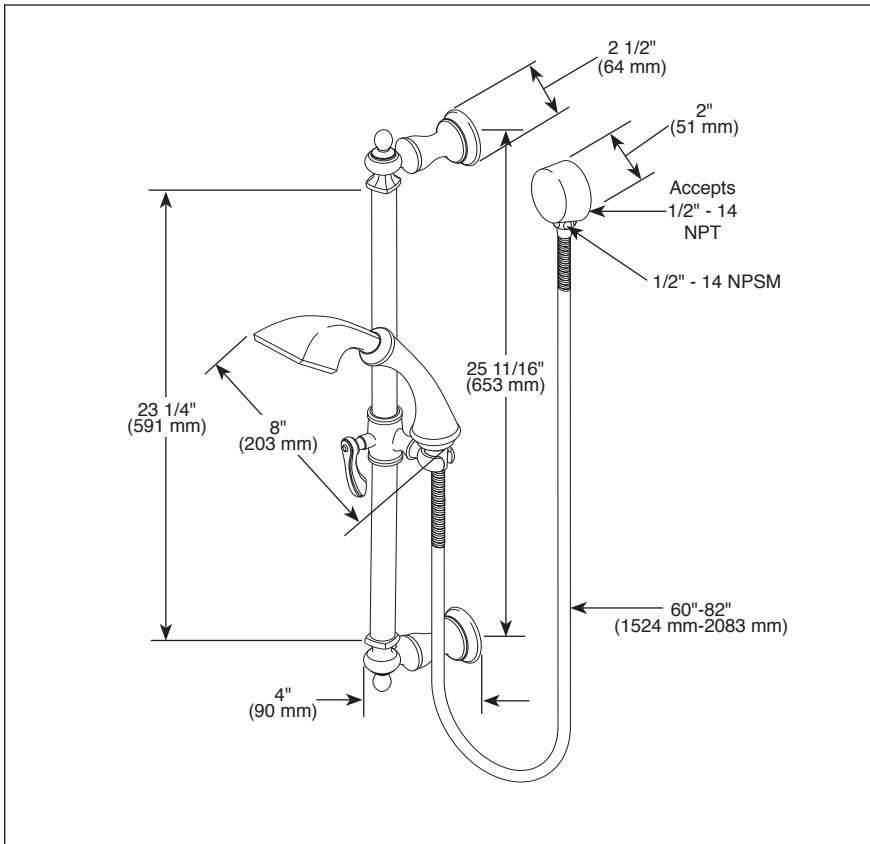


85785-▲



▲ Designate proper finish suffix

BRIZO®

HAND SHOWER W/ SLIDE BAR

■ Charlotte® Bath Collection

FEATURES:

- Touch-Clean® Spray Holes

STANDARD SPECIFICATIONS:

- Max. flow rate 1.75 gpm @ 80 psi, 6.6 L/min @ 550 kPa
- Hand shower with full spray pattern and Touch-Clean® nubs
- Certified dual check valves
- 23 1/4" (591 mm) wall bar with adjustable slide (allows for adjustable shower height). Not to be used as a Grab Bar. Not ADA compliant.
- 60" - 82" (1524 mm - 2083 mm) stretchable finished metal hose

WARRANTY

- Parts and Finish - Lifetime limited warranty; or for commercial purchasers, 10 years for multi-family residential (apartments and condominiums) and 5 years for all other commercial uses, in each case from the date the product is received by the original purchaser or their authorize representative (installation contractor, etc.).
- Please go to www.brizo.com for the complete details of our limited warranty.



COMPLIES WITH:

- ASME A112.18.1 / CSA B125.1 ♦
- EPA WaterSense®

♿ ICC/ANSI A117.1

- ♦ Your Brizo hand shower incorporates a backflow protection system that has been tested to be in compliance with ASME A112.18.3 and ASME A112.18.1/CSA B125.1. It incorporates two certified check valves in series, which operate independently and are integral, non-serviceable parts of the wand assembly.

Brizo Kitchen & Bath Company reserves the right (1) to make changes in specifications and materials, and (2) to change or discontinue models, both without notice or obligation. Dimensions are for reference only. See current full-line price book or www.brizo.com for finish options and product availability.

BSP-B-85785 Rev. E

Brizo Kitchen & Bath Faucet Company

55 E. 111th Street, Carmel, IN 46280
350 South Edgeware Road, St. Thomas, ON N5P 4L1
© 2025 Brizo Kitchen & Bath Faucet Company