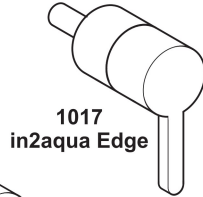
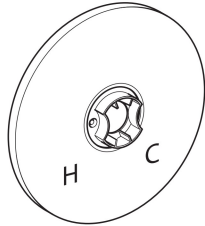
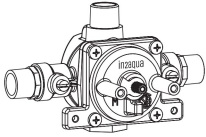


in2aqua

in2aqua Edge; in2aqua Style, in2aqua Classic

Mounting- and operating instructions
Instrucciones de montaje y de uso

1001 2 99 X



1017
in2aqua Edge

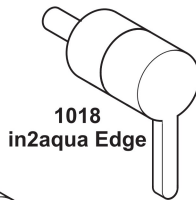
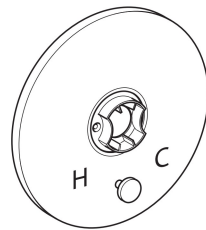
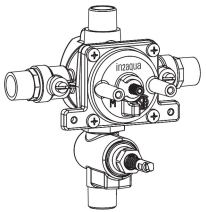


1012
in2aqua Style



1007
in2aqua Classic

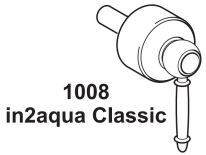
1000 2 99 X



1018
in2aqua Edge



1013
in2aqua Style



1008
in2aqua Classic

US

F

E

9003 1 00 0

in2aqua GmbH

Königstrasse 26 • 70173 Stuttgart, Germany
Phone: +49 (0)7127 9296 141 • 1 800 257 6051
www.in2aqua.de • www.in2aqua.com • info@in2aqua.com

in2aqua recommends professional installation.
in2aqua recomienda una instalación profesional.

Attention! Drain system completely if danger of frost.

¡Atención! En caso de peligro de hielo, purg la instalación de agua, o bien vaciar las tuberías.

Attention! Flush pipes completely before installing faucet

Atención! Antes de colocar el monocomando limpiar la instalación

Attention! Please observe any recognized general technical rules.

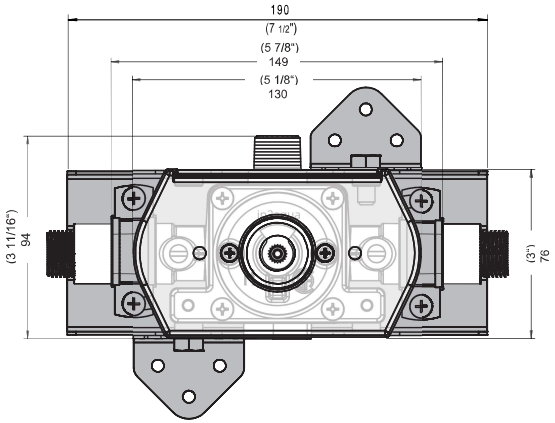
¡Atención! Se tienen que observar las reglas generales reconocidas de la técnica.

Attention! Damage caused by incorrect handling, natural wear, or applying too much force is excluded from our warranty provisions!

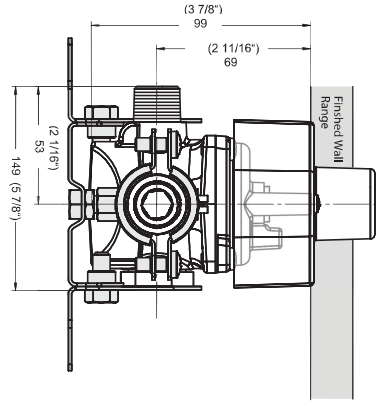
¡Atención! ¡Daños ocasionados por un manejo inapropiado, desgaste natural o una mayor utilización están excluidos de nuestra garantía

1001 2 99 X

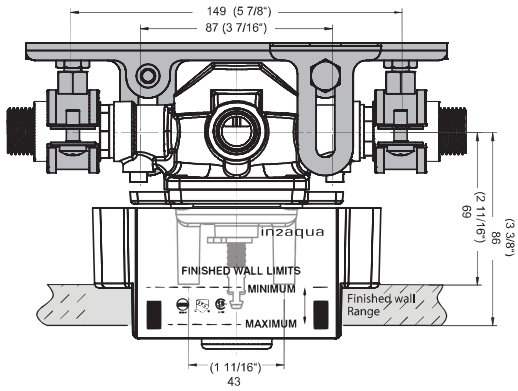
front view



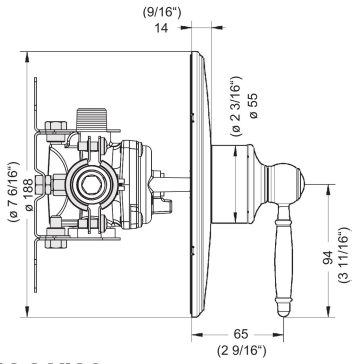
side view



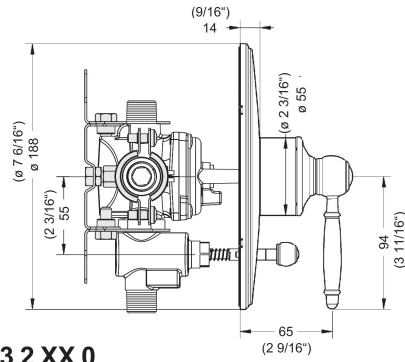
top view



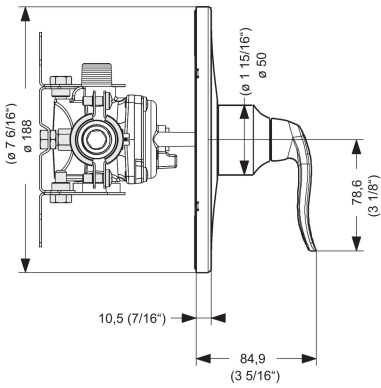
1007 2 XX 0



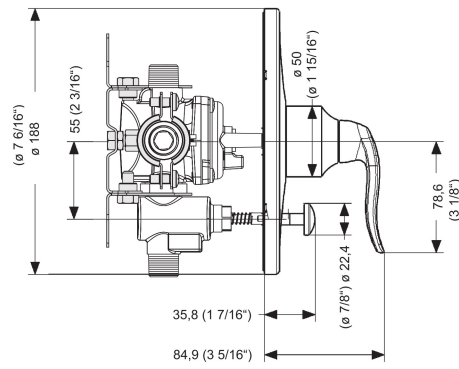
1008 2 XX 0



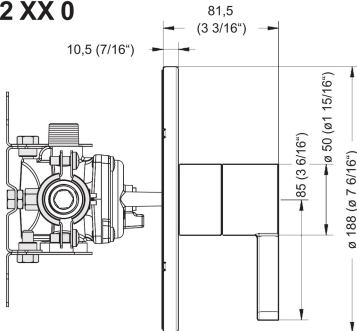
1012 2 XX 0



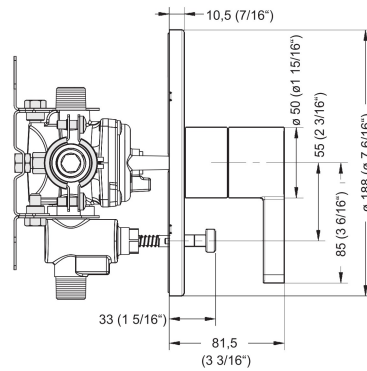
1013 2 XX 0



1017 2 XX 0

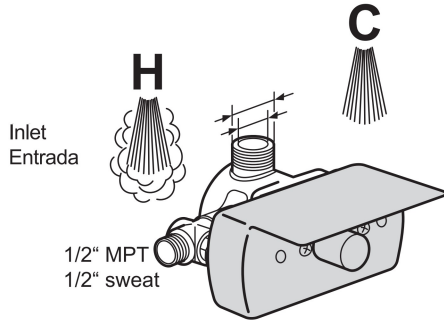


1018 2 XX 0

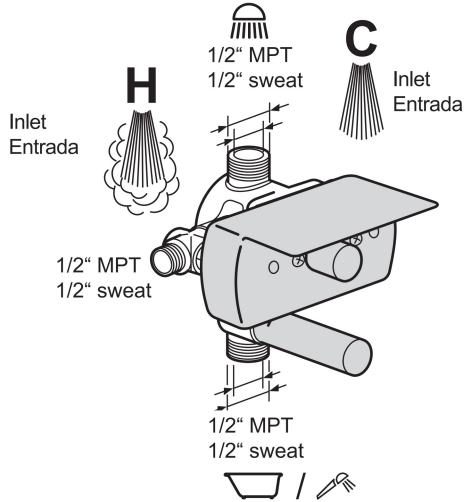


Subject to technical alteration
Nos reservamos el derecho de efectuar modificaciones técnicas

1001 2 99 X

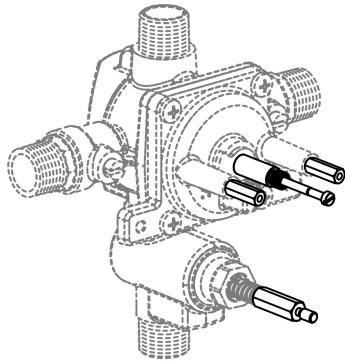


1000 2 99 X



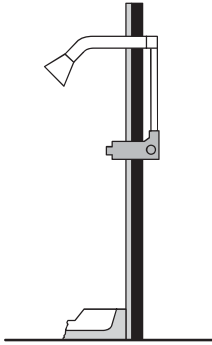
8009 1 00 0

3/4" Extension Kit (optional)
3/4" equipo de extensión (opcional)

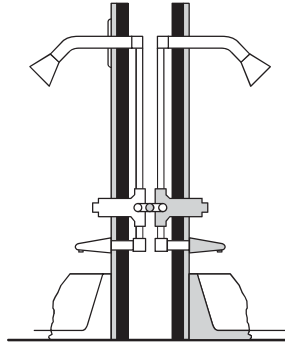


Standard installation Back-to-back installation

Standard installation:
Shower only



Back-to back installation:
Tub and shower



Back-to back installation:

In Back to back installations, cartridge must be rotated 180° to ensure proper valve operation.

Rough-in



3 port valve shower only:

Position valve with outlet up. Finished wall must be within the dimensions shown on finished wall template.



4 port valve, tub and shower:

Position valve with shower outlet marked „S“ up and the tub outlet marked „T“ down. Finished wall must be within the dimensions shown on finished wall template.



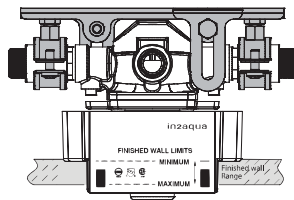
Finished wall template must remain intact for finished wall surface measurements and as a template for plastering and / or tiling.

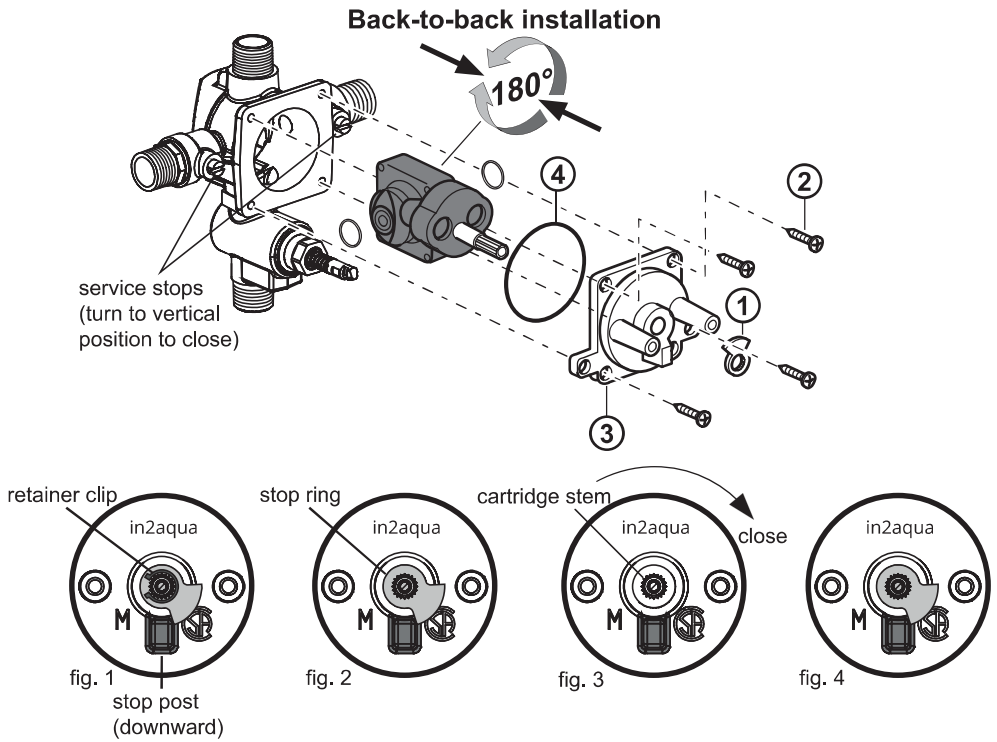


It is not necessary to remove the pressure balancing cartridge from the valve during normal soldering of connections, using propane-butane gas. Do not use OXYGEN-ACETYLENE!



**When soldering connections, do not use excessive heat!
To test the pipe joints, pressurize both hot and cold inlets!**



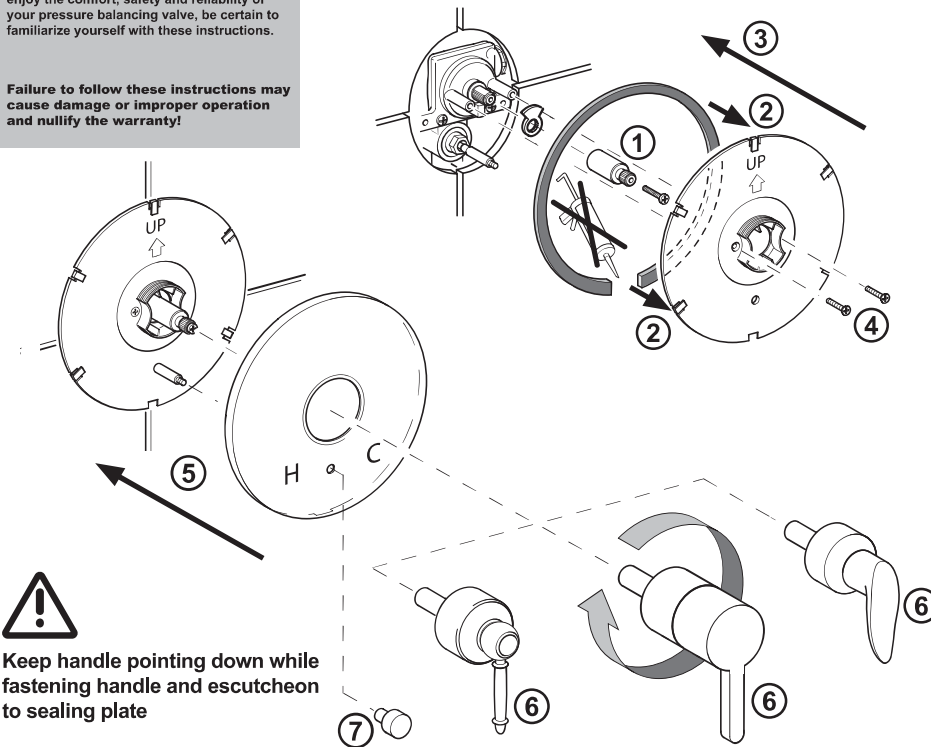


- A Close service stops:**
- Remove the wall template.
 - Close the hot and cold water supplies.
- B Remove stop ring:**
- Remove stop ring retainer clip. (fig. 1)
 - Remove stop ring (1) note position. (fig. 2)
- C Turn cartridge for back-to-back installation:**
- Remove the four cover set screws (2) and the valve cover (3) with O-ring (4).
 - Pull the cartridge out. Do not damage the O-ring seals.
 - Rotate the cartridge 180° turning it upside down. Place it into the valve body. Note position of hot („H”) and cold („C”) markings on the cartridge:
„H” hot will now be on the right and „C” cold on the left.
 - Put the O-ring (4) on the valve cover. Make sure the surface of the valve cover, on which the O-ring will sit, and the O-ring are both clean.
 - Position the valve cover with stop facing down. Seat the cover to the body. Do not pinch the O-ring. The assembly should fit together with a minimum of pressing force.
 - Tighten up the cover screws diagonally, first lightly and then more firmly.
- D Fix stop ring on closed position:**
- Calibrate cartridge stem. (fig. 3)
 - Position the stop ring on the stem as shown in figure 4.

This product is precision engineered to provide superior performance provided it is installed and operated in accordance with these recommendations. In order to fully enjoy the comfort, safety and reliability of your pressure balancing valve, be certain to familiarize yourself with these instructions.

Failure to follow these instructions may cause damage or improper operation and nullify the warranty!

Installation of the trim set



Keep handle pointing down while fastening handle and escutcheon to sealing plate

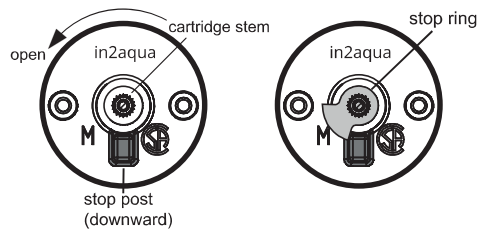
Operation:

A counterclockwise rotation opens the valve beginning with cold water. An adjustable hot limit stop reduces risk of accidental scalding. Clockwise rotation of the handle closes the valve. The valve's comfort zone ensures a safe, reliable and precise adjustment of mixed water temperature in the range from 95°F (35°C) to 105°F (40°C).



Setting hot limit stop:

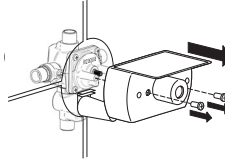
Rotate cartridge stem counterclockwise until a desired and safe hot water temperature is reached. Place the hot limit ring over the splines on the stem with the hot limit ring resting against the stop post on the valve cover. The hot limit stop ring may need to be repositioned seasonally due to inlet water temperature variations.



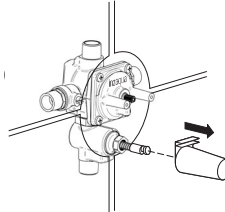
The featherlight touch of the handle provides simple and easy control for the young or elderly. Pull diverter to switch between bath and shower.

White plastic spring retainer cap removal and replacement

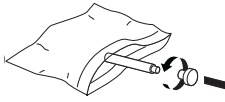
- ① Remove black plastic mud guard from pressure balance valve (held in place by 2 screws).



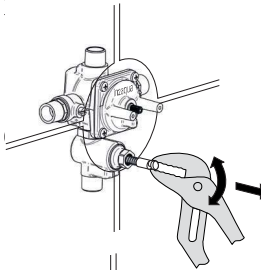
- ② Remove second black plastic mud guard from diverter stem.



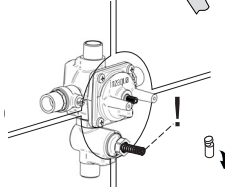
- ③ Locate metal diverter sleeve and knob in a plastic bag in trim kit. Unscrew metal diverter sleeve from knob. Keep both parts ready for installation.



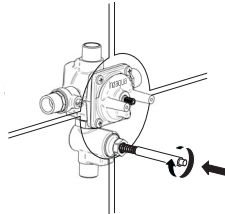
- ④ Remove white plastic spring retainer cap from the brass diverter stem of the pressure balance valve. Be careful not to damage diverter stem.



- ⑤ Do not lose spring. Discard white plastic spring retainer cap.

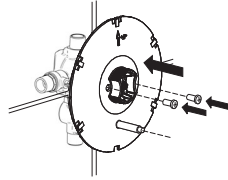


- ⑥ Screw the metal diverter sleeve of the trim kit on to the brass diverter stem of the pressure balance valve.

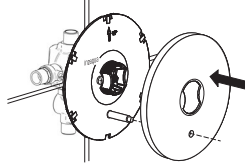


White plastic spring retainer cap removal and replacement (continued)

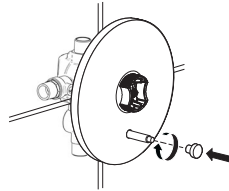
- 7 Attach white plastic plate of the trim kit to the pressure balance valve using two screws. Metal diverter sleeve will fit through hole in plate.



- 8 Snap the metal escutcheon plate of the trim kit on to the white plastic plate. Metal diverter sleeve will fit through hole in plate.



- 9 Screw the metal knob to the exposed metal diverter sleeve.



Dear Customer,

You have purchased a high-quality product, and to maintain its beautiful appearance for a long time to come, we suggest that you care for it as follows:

Chrome, velvet chrome and colour coated surfaces are sensitive to cleaning agents containing acids or abrasives as well as abrasive sponges.

Important!

Colour coated surfaces require extra care during installation and use. Slight colour variations can occur with colour coated faucets as a result of unavoidable process variations.

Maintenance:

Dirt and surface calcination are best removed with soapy water, followed by rinsing with plain water and drying. Avoid exposure of colour coated surfaces to disinfectants or cleaning agents containing alcohol, and treat such surfaces as described above.

Careless treatment of faucets invalidates in2aqua guarantee provisions.



Malfunction:	Cause:	Remedy:
Hot and cold reversed.	Hot and cold water supplies have been connected in reverse.	Rotate cartridge as described in „Back-to-back installation“
Tub filler shower head drips after shutting off the valve.	Water remains in the shower piping. (This is normal.) Incorrect setting of the stop ring causing a partially opened cartridge. Cartridge inlet O-ring seal is faulty.	Allow approximately 3-5 minutes to drain column, or push lever on tub spout to the tub fill position. Reset the hot limit stop ring as described in rough-in installation. Check the O-ring for cuts or damage and replace if necessary.
Shower insufficiently hot.	Hot limit stop incorrectly set.	Refer to the instruction: Check hot water temperature.
No flow of hot or cold water.	Either the hot or cold side is not fully pressurized, Debris caught inside the inlet of the cartridge. No engagement between handles and plastic driver.	Be sure service stops are both fully open and system is pressurized. Remove cartridge and flush out or remove any debris lodged inside the hot or cold inlets.
Valve body too deep in wall.	Improper installation.	Install extension kit

Never try to stop dripping by applying excessive force to the handle when closing the valve.

US

Ideal operating pressure: 3 bar (45 psi)
 Max. operating pressure: 5 bar (70 psi)
 Equal pressures cold/warm recommended.
 Ideal water temperature: 65°C (149°F)
 Max. hot water temperature: 90°C (194°F)



Attention:
Before installation flush pipes thoroughly !