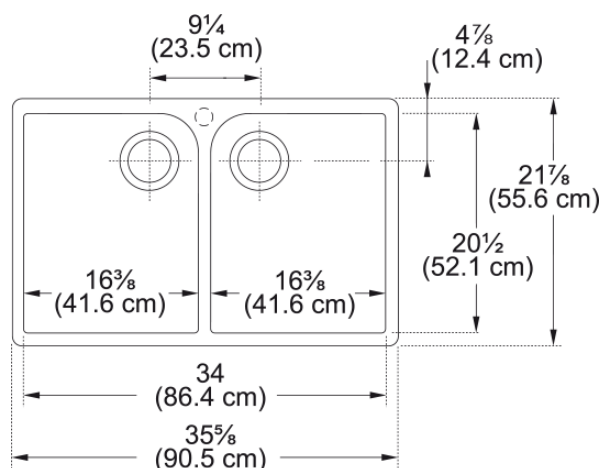


# Manor House Ceramic Sink - MHK720-35WH | 130.0066.213



35.5-in. x 21.62-in. Ceramic Double Bowl Apron Front Kitchen Sink, White. Many handcrafted Franke Fireclay sinks are designed in partnership with Villeroy & Boch, a world-renowned premium porcelain and ceramic producer since 1748. Together, Franke and Villeroy & Boch created the distinctive design of the Manor House Collection to enhance your personal kitchen style. Scratch-and-stain resistant fireclay offers hygienic properties and qualities most desired in today's kitchens.

## Aspect

Sink type	Sink
Type of material	Ceramic
Number of bowls	2
Product color	White
Surface finish	Glossy

## Product Dimensions

Length (right to left)	35.622
Width (front to back)	21.874
Large bowl size: right to left	16.535
Large bowl size: front to back	20.5
Large bowl: depth	7.874
Small bowl size: right to left	16.535
Small bowl size: front to back	20.5
Small bowl: depth	7.874

## Installation

Minimum cabinet size	36"
----------------------	-----

## Product specifications

Installation type	Apron front
Drain hole	3 1/2"
Position of drainer	No drainer
Active Twist Compatibility	No

## Product identification

Brand	FRANKE
Product family	None
Collection	Manor House
Certified by	IAPMO

## Features

Drainers number	No drainer
Product reversibility	No
Faucet ledge	No
Strainer assembly included	No
Strainer Assembly	No waste kit
Overflow	No
Number of faucet holes	No faucet hole
Soap dispenser hole	No