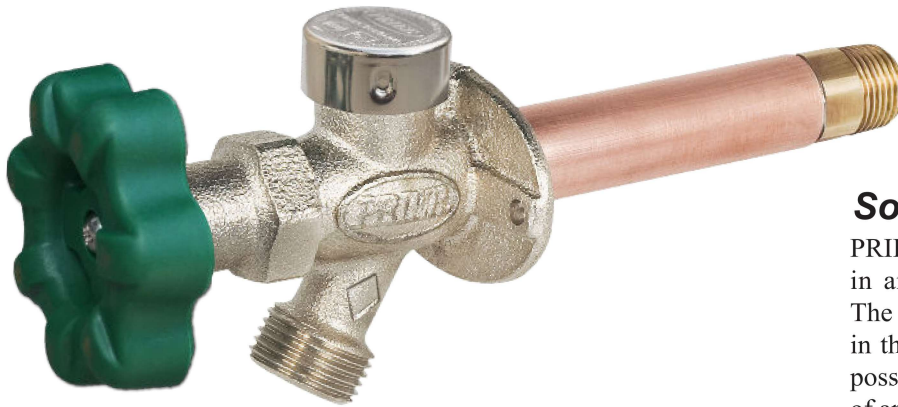




Build With Purpose

P-164/264 Series Freezeless Wall Hydrant



Soft Grip Handle

PRIER P-164 provides a year round source of water in areas that are subject to freezing temperatures. The hydrant valve is connected to the supply piping in the heated portion of the structure, eliminating the possibility of freezing. The P-164 has the added benefit of an easy quarter turn operation that features a proven compression type seal. Additionally, the P-164 features a soft grip operating handle for easy operation in wet conditions and cold weather.

Ordering the P-264 gives you the same style hydrant but with a vandal proof extended lockshield and operating key. It is available from stock in lengths close coupled to 24", longer sizes are available on request.



P-264 Loose Key Design

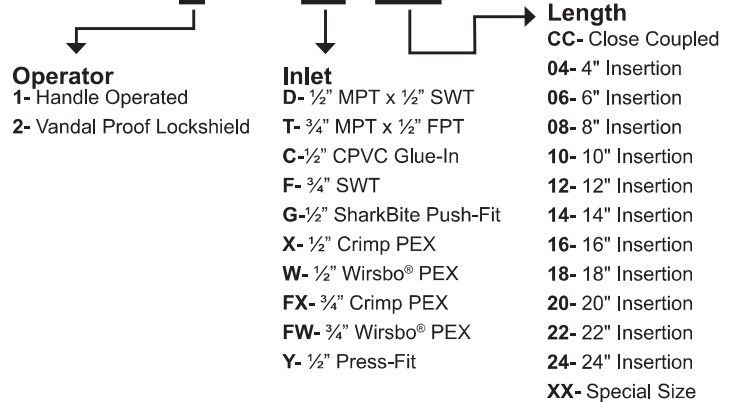
- Residential
- Freezeless
- Anti-Siphon
- Backflow Check Valve

FEATURES

- Anti-siphon aluminum vacuum breaker with EPDM backflow preventer and backflow check valve
- Quarter-turn soft-grip coated cast aluminum handle
- Wide and enclosed screw holes easily secure mounting screws
- Per ASSE 1019, pressure rated to 125 PSI, temperature to 140°
- Integral cast flange with built-in drainage pitch
- Solid brass body, valve stem cap, seat and stem ends
- Satin nickel plated body maintains attractive finish
- Stainless steel screws
- Lock shield cap
- AFG teflon with graphite packing for easy maintenance
- Standard "OO" size seat washer
- Each valve air-tested at factory for leak-free quality
- Spout aligning mark with manufacturer's date code

ORDERING

P-164D10



INLET STYLES



D Style
1/2" MPT x 1/2" SWT



T Style
3/4" MPT x 1/2" FPT



C Style
1/2" CPVC Glue-In



F Style
3/4" SWT



G Style
1/2" SharkBite Push-Fit



Y Style
1/2" Press-Fit



X Style
1/2" Crimp PEX



W Style
1/2" Wirsbo® PEX



FX Style
3/4" Crimp PEX



FW Style
3/4" Wirsbo® PEX

4515 E. 139th Street Grandview, MO 64030 | (800) 362-9055 | PRIER.com

*Per ASSE 1019 Code, do not leave on for more than 12 continuous hours.