

IMPORTANT INSTRUCTIONS - OPERATING MANUAL

Model: AKLC70DW



Exhaust Fan with Light

READ AND SAVE THESE INSTRUCTIONS

READ CAREFULLY BEFORE ATTEMPTING TO ASSEMBLE, INSTALL, OPERATE OR MAINTAIN THE PRODUCT DESCRIBED. PROTECT YOURSELF AND OTHERS BY OBSERVING ALL SAFETY INFORMATION. FAILURE TO COMPLY WITH INSTRUCTIONS COULD RESULT IN PERSONAL INJURY AND/OR PROPERTY DAMAGE!

RETAIN INSTRUCTIONS FOR FUTURE REFERENCE.

GENERAL SAFETY INFORMATION

When using electrical appliances, basic precautions should always be followed to reduce the risk of fire, electric shock and injury to person, including the following:

1. Read all instructions before installing or using exhaust fan.
2. Use this unit only in the manner intended by the manufacturer. If you have questions, contact the manufacturer.
3. Before servicing or cleaning the unit, switch power off at service panel and lock the service disconnecting means to prevent power from being switched on accidentally. When the service disconnecting means cannot be locked, securely fasten a prominent warning device, such as a tag, to the service panel.
4. Installation work and electrical wiring must be done by qualified person(s) in accordance with all applicable codes and standards, including fire-related construction.
5. Sufficient air is needed for proper combustion and exhausting of gases through the flue (chimney) of fuel burning equipment to prevent back drafting. Follow the heating equipment manufacturer's guideline and safety standards such as those published by the National Fire Protection Association (NFPA) and the American Society for Heating, Refrigeration, and Air Conditioning Engineers (ASHRAE), and the local code authorities.
6. When cutting or drilling into wall or ceiling, do not damage electrical wiring and other hidden utilities.
7. Ducted fans must always be vented to the outdoors.
8. This unit must be grounded.
9. To avoid motor bearing damage and noisy and/or unbalanced impellers, keep drywall spray, construction dust, etc. off power unit.
10. NEVER place a switch where it can be reached from a tub or shower.

WARNING: TO REDUCE THE RISK OF FIRE, ELECTRIC SHOCK, DO NOT USE THIS FAN WITH ANY SOLID-STATE SPEED CONTROL DEVICE.

WARNING: DO NOT INSTALL OVER A TUB OR MOUNT IN A SHOWER STALL ENCLOSURE.

WARNING: DO NOT USE IN KITCHENS

CAUTION: FOR GENERAL VENTILATING USE ONLY. DO NOT USE TO EXHAUST HAZARDOUS OR EXPLOSIVE MATERIALS AND VAPORS.

SAVE THESE INSTRUCTIONS

INSTALLATION INSTRUCTIONS

CAUTION: MAKE SURE POWER IS SWITCHED OFF AT SERVICE PANEL BEFORE STARTING INSTALLATION.

SECTION 1

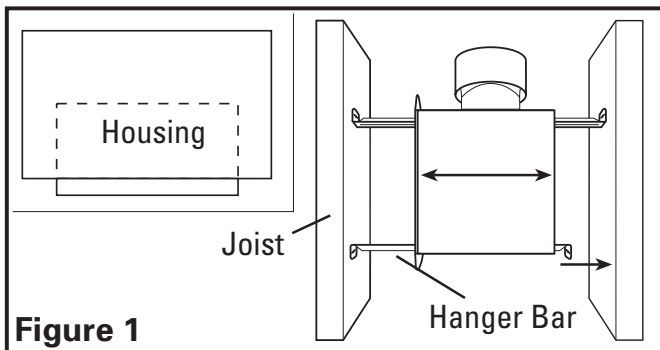
Preparing the Exhaust Fan

1. Unpack fan from the carton and confirm that all pieces are present. In addition to the exhaust fan you should have:
 - 1 - Grill with Glass Light Lens
 - 1 - Damper Assembly (attached)
 - 2 - #8 Screws
 - 2 - Lockwashers
 - 4 - Mounting Rails
 - 1 - Instruction/Safety Sheet
2. Choose the location for your fan. To ensure the best air and sound performance, it is recommended that the length of ducting and the number of elbows be kept to a minimum, and that insulated hard ducting be used. Larger duct sizes will reduce noise and airflow restrictions. This fan will require at least 6" of clearance in the ceiling or wall, and will mount through drywall up to 3/4" thick. The fan can be mounted directly to the joist using the mounting tabs on the sides of the housing or between 16" on center joists using the 4 provided mounting rails.

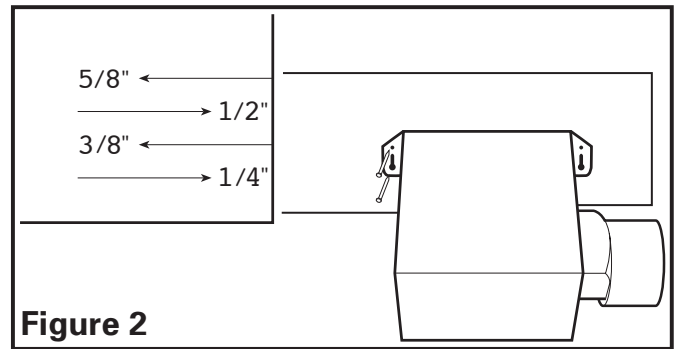
SECTION 2

New Construction

1. **Mounting Rail Installation:** Install the rails on the housing and position the housing next to the joist. Using the gauge on the fan's housing, line up housing so that it will be flush with the finished ceiling. Secure the ends of the rails with screws or nails (not included) to the joists and slide the housing into the final position (**Figure 1**).



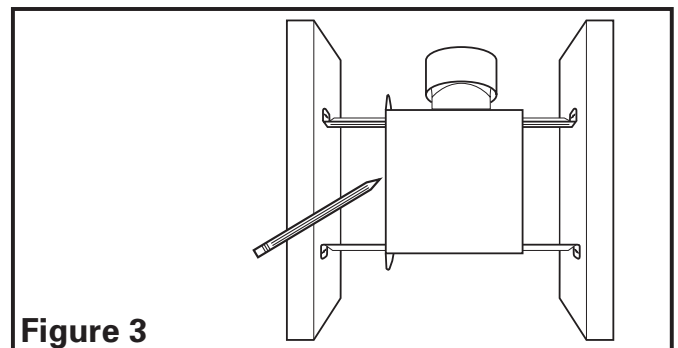
2. **Mounting Tab Installation:** Using the gauge on the fan's housing, line up housing so that it will be flush with the finished ceiling. Position the fan so that the tabs rest flat against the joist and secure with four nails or screws (not provided) to ensure proper installation (**Figure 2**).



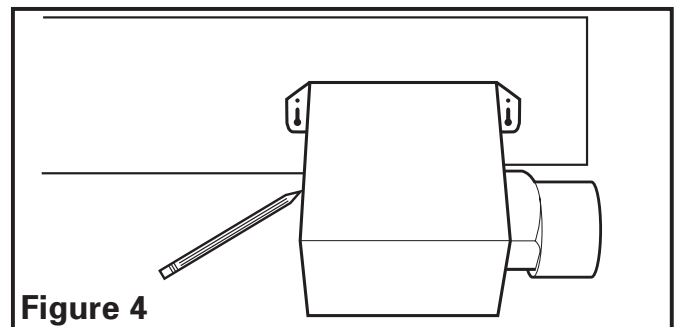
SECTION 3

Existing Construction

- 1a. **Mounting Rail Installation:** Set housing in position between the joist and trace an outline onto the ceiling material (**Figure 3**). Set housing aside and cut opening, being careful not to cut or damage any electrical or other hidden utilities. Install the rails on the housing and position the housing in the previously cut hole so that it is flush with the finished ceiling. Secure the ends of the rails to the joists with nails or screws (not provided) (**Figure 1**).



- 1b. **Mounting Tab Installation:** Position housing against the joist and trace an outline of the housing onto the ceiling material (**Figure 4**). Set housing aside and cut opening, being careful not to cut or damage any electrical or other hidden utilities. Place housing next to the joist and insure that it is flush with the finished ceiling. Secure with four nails or screws (not provided) to ensure proper installation (**Figure 2**).

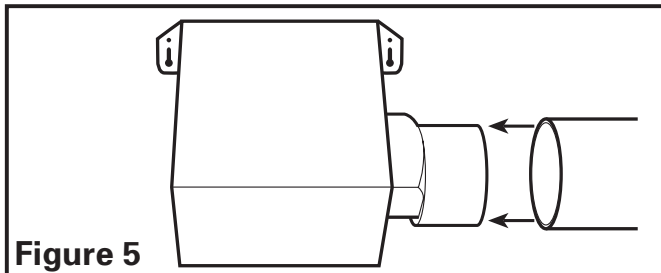


SECTION 4

Ducting

CAUTION: ALL DUCTING MUST COMPLY WITH LOCAL AND NATIONAL BUILDING CODES.

1. Connect the ducting to the fan's duct collar (**Figure 5**). Secure in place using tape or screw clamp. Always duct the fan to the outside through a wall or roof cap.



NOTE: If damper detaches from unit, reattach by snapping the collar back onto the unit. It is designed to only fit one way.

SECTION 5

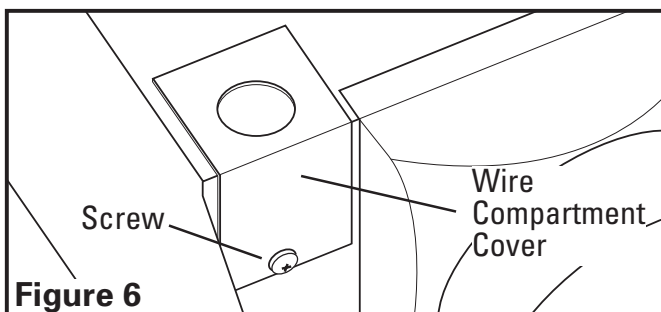
Wiring

CAUTION: MAKE SURE POWER IS SWITCHED OFF AT SERVICE PANEL BEFORE STARTING INSTALLATION.

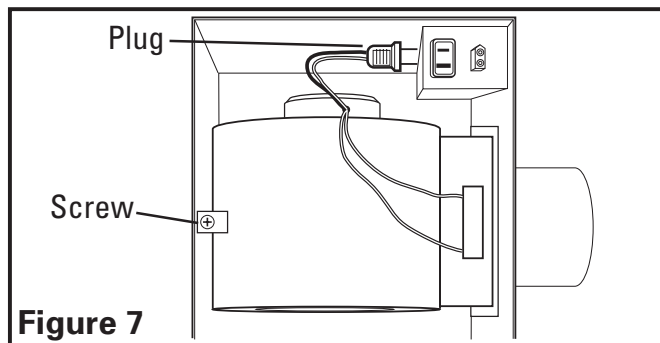
CAUTION: ALL ELECTRICAL CONNECTIONS MUST BE MADE IN ACCORDANCE WITH LOCAL CODES, ORDINANCES, OR NATIONAL ELECTRICAL CODE. IF YOU ARE UNFAMILIAR WITH METHODS OF INSTALLING ELECTRICAL WIRING, SECURE THE SERVICES OF A QUALIFIED ELECTRICIAN.

NOTE: This unit includes a side access panel for wiring that does not require the removal of the fan's blower assembly. If you choose to wire the unit from the inside, you will need to remove the blower assembly and internal wiring compartment. Both methods are equally effective.

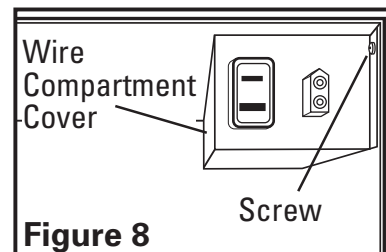
- 1a. **External Wire Compartment:** Remove the wire compartment cover screw and place cover in a secure place (**Figure 6**).



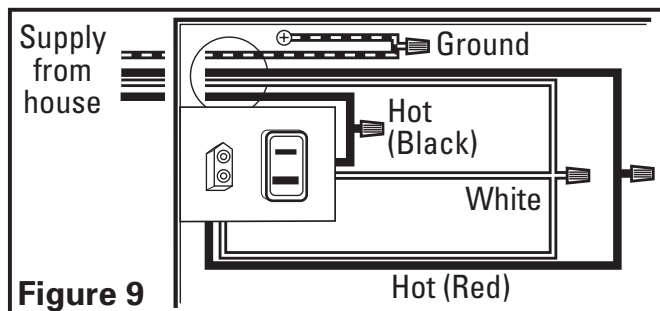
- 1b. **Internal Wire Compartment:** Remove the screw holding the blower assembly in place. Lift up on the assembly and tilt it at a 45° angle to remove from the housing (**Figure 7**). Remove the wire compartment cover screw and place the cover in a secure place (**Figure 8**).



NOTE: If the fan motor plug is connected to the fan housing receptacle, unplug so the blower assembly can be completely removed.

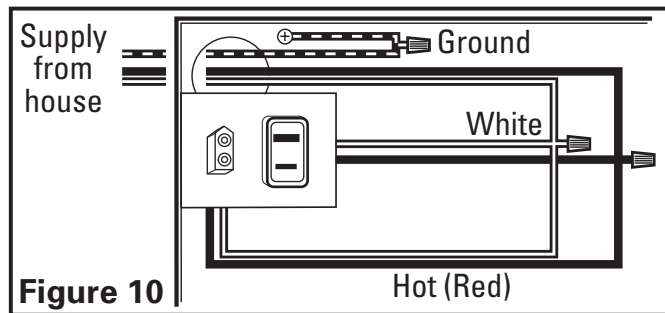


- 2a. **Wiring Fan/Light Independently:** Run wiring from an approved wall switch carrying the appropriate rating. One neutral (white), one ground (green or bare copper), and two hot (black lead connected to the switch). Secure the electrical wires to the housing with an approved electrical connector. Make sure you leave enough wiring in the box to make the connection to the fan's receptacle.
- 2b. From where you have access to inside the fan's junction box, connect the one white wire from the house to both the white wire from the fan's light receptacle and the white wire from the fan's exhaust receptacle. Connect the first black wire from the wall switch to the red wire from the fan's light receptacle. Connect the second black wire from the house to the fan's exhaust receptacle. Connect the ground wire from the house to the green wire from the fan's grounding screw (**Figure 9**). Use approved methods for all connections.



- 3a. **Wiring Fan/Light together:** Run wiring from an approved wall switch carrying the appropriate rating. One neutral (white), one ground (green or bare copper), and one hot (black lead connected to the switch). Secure the electrical wires to the housing with an approved electrical connector. Make sure you leave enough wiring in the box to make the connection to the fan's receptacle.
- 3b. From where you have access to inside the fan's junction box, connect the one white wire from the house to both the white wire from the fan's light receptacle and the white wire from the fan's exhaust receptacle. Connect the black wire from

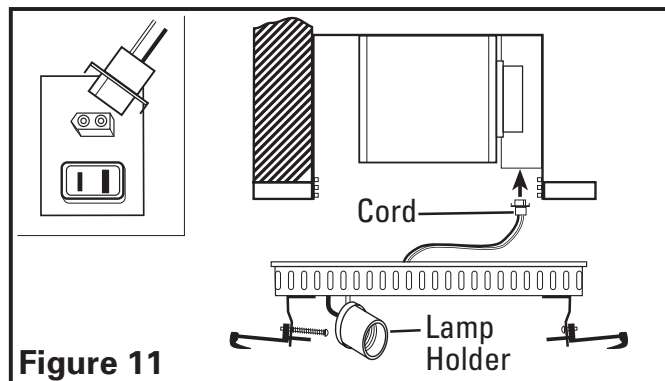
the wall switch to both the red wire from the fan's light receptacle and the black wire from the fan's exhaust receptacle. Connect the ground wire from the house to the green wire from the fan's grounding screw (**Figure 10**). Use approved methods for all connections.



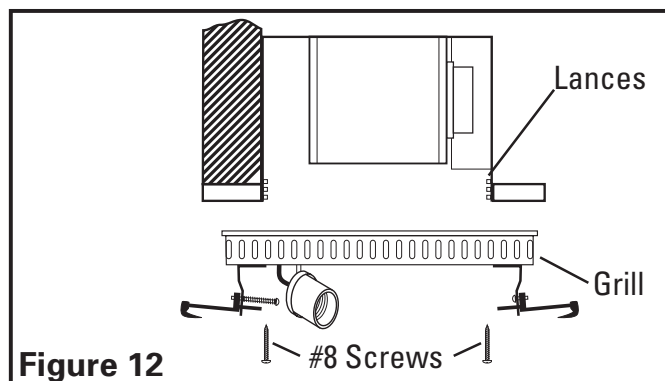
- Carefully tuck wire back inside wire compartment and replace wire compartment cover securing with the screw that was removed earlier.

SECTION 6 Completing the Installation

- If the fan's blower assembly was removed during the wiring process, reinstall the blower by reversing the directions in *Step 1b* in **Section 5 Wiring**.
- Insert the fan's plug into the receptacle (**Figure 7**).
- Plug cord from lamp holder into the appropriate receptacle (**Figure 11**).

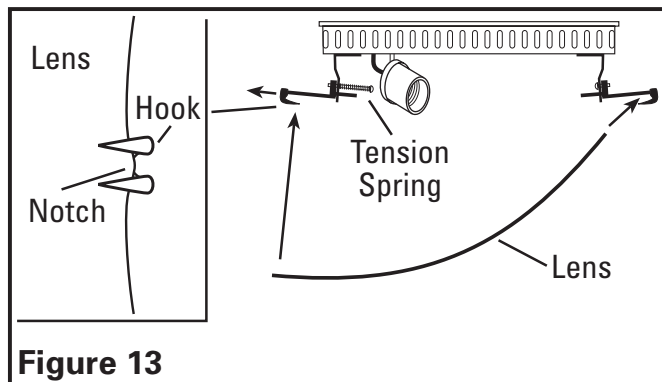


- Line up slots in the grill with lances on inside of housing. Insert included #8 screws through grill slots and into housing lances. Tighten both screws until the grill fits snugly to the ceiling. DO NOT OVER TIGHTEN (**Figure 12**).



CAUTION: FAILURE TO SECURE THE GRILL MAY RESULT IN A RATTLING OR HUMMING NOISE.

- Install 1 - 100 watt maximum, type A19 medium base incandescent bulb (not included).
- The base installed in *Step 4* has a set of mounting hooks for the glass light lens. One of the hooks is in a fixed position while the other has a tension spring. The light lens has a notch on either side of the lens. Slide one of the notches into the fixed position hook. Then pull the other hook out until the lens is able to fit into position and carefully release the hook to slide the lens into the second notch. Make sure the glass is held securely in place (**Figure 13**).



- Restore power and test your installation.

SECTION 7 Use and Care

CAUTION: MAKE SURE POWER IS SWITCHED OFF AT SERVICE PANEL BEFORE SERVICING THE UNIT.

- Cleaning the Grill:** Refer to instructions in **Section 6 Completing the Installation**, to remove grill and glass light lens. Use a mild detergent, such as dishwashing liquid, and dry with a soft cloth. NEVER USE ANY ABRASIVE PADS OR SCOURING POWDERS. Completely dry all parts before reinstalling. Refer to instructions in **Section 6 Completing the Installation**, to reinstall grill and glass light lens.
- Cleaning the Fan Assembly:** Wipe all parts with a dry cloth or gently vacuum the fan. NEVER IMMERSE ELECTRICAL PARTS IN WATER.

CAUTION: ALLOW BULB TO COOL BEFORE REPLACING.

- Changing the Light Bulb:** Disconnect power to the unit. Remove glass light lens from grill by pulling the tension springed hook outward and sliding the glass out of the hooks (**Figure 13**). Replace with a 100 watt maximum, type A19 medium base incandescent bulb. Refer to instructions in *Step 6* of **Section 6 Completing the Installation**, to reinstall the light lens.

Troubleshooting Guide

Trouble	Probable Cause	Suggested Remedy
1. Fan does not operate when the switch is on.	1a. A fuse may be blown or a circuit tripped. 1b. Connector plug from motor is not plugged in. 1c. Wiring is not connected properly. 1d. Motor has stopped operating.	1a. Replace fuse or reset circuit breaker. 1b. Turn off power to unit. Remove Grill and plug motor into receptacle in housing. Restore power to unit. 1c. Turn off power to unit. Check that all wires are connected. 1d. Replace motor.
2. Fan is operating, but air moves slower than normal.	2. Obstruction in the exhaust ducting.	2. Check for any obstructions in the ducting. The most common are bird nests in the roof cap or wall cap where the fan exhausts to the outside.
3. Fan is operating louder than normal.	3a. Motor is loose. 3b. Fan blade is hitting housing of unit.	3a. Turn off power to unit. Remove grill and check that all screws are fully tightened. Restore power to unit. 3b. Call your dealer for service.

LIMITED WARRANTY

All products manufactured by Air King Limited are warranted for one year from the date of purchase against defects in workmanship and/or material. In addition, all ventilating/exhaust fans, heaters, combination fan lights and/or heaters, and range hoods are guaranteed for five years from the date of purchase against defects in workmanship and/or material.

This warranty does not cover any labor or shipping costs or the cost of replacement components as part of routine maintenance such as: range hood grease filters, charcoal filters or combination charcoal/grease filters; replacement light bulbs in range hoods or bathroom fan/light/bulb heater combinations. As well, any damage or failure caused by abuse, misuse, abnormal usage, faulty installation, or improper maintenance will not be covered by this warranty.

In order to make a claim on this warranty, you must be the original consumer of the product. You will be required to present to Air King the original bill of sale showing: date of purchase, place of purchase and model purchased. Failure to meet these requirements will void your warranty.

Air King will not be held responsible for any bodily injury or damages to personal property or real estate whether caused directly or indirectly by the product. Some states and provinces do not allow the exclusion or limitation of incidental or consequential damages and some states do not allow limitations on how long an implied warranty lasts, so these exclusions or limitations may not apply to you. This warranty gives you specific legal rights and you may have other rights which vary from state to state and province to province.

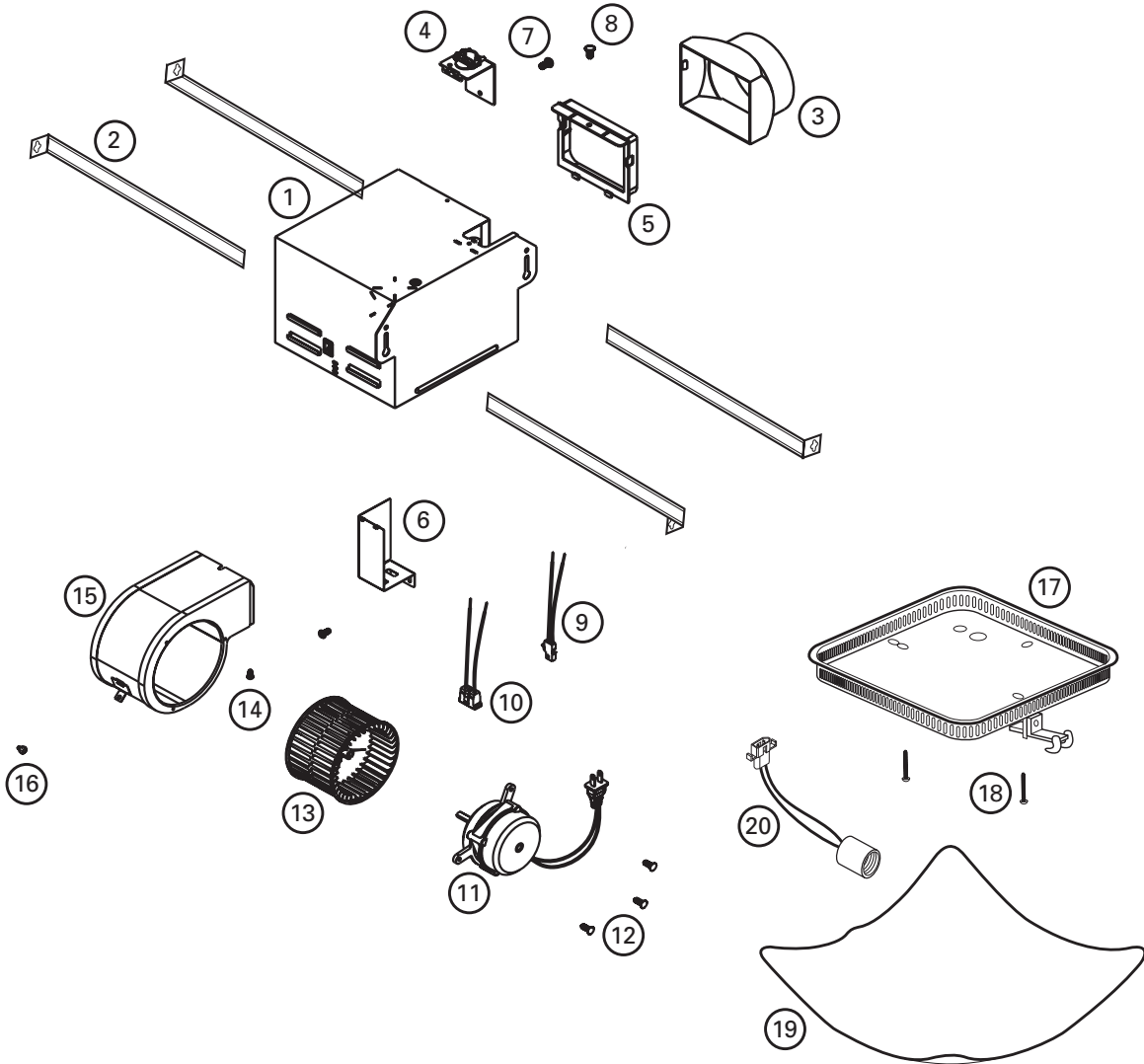
FOR PARTS OR TECHNICAL ASSISTANCE

Please call: 1-800-465-7300, **MONDAY THROUGH FRIDAY, BETWEEN THE HOURS OF 8 AM AND 4:00 PM EST.**
PLEASE DO NOT RETURN PRODUCT TO PLACE OF PURCHASE.

Reference the type and style of product (located on label inside of the product) when you call.
 For more information please visit our website: www.airkinglimited.com

Installer: _____ Installation Date: _____
 Place of Purchase: _____ Model Number: _____

REPLACEMENT PARTS DIAGRAM



#	Qty.	Description	Replacement Part #
1	1	Fan Housing	5S1234001
2	4	Mounting Rails	5S1299002
3	1	Collar/Damper	5S1299006
4	1	External Wire Cover	5S2299014
5	1	Gasket - Collar	5S2299015
6	1	Interior Wire Cover	5S1234001
7	1	#8 B Screw	5S1299007
8	2	#6 B Screw	5S1999010
9	1	Polarized Connector	5S1299008
10	1	Receptacle	5S1999001

#	Qty.	Description	Replacement Part #
11	1	Motor	5S2234002
12	3	Motor Mounting Screw	5S2234003
13	1	Blower Wheel	5S2234004
14	1	Cap Screw	5S2234005
15	1	Blower Housing	5S2234006
16	1	#10 B Screw	5S1299009
17	1	Base	5S5234001
18	1	Mounting Screw	5S5204004
19	1	Glass	5S5234002
20	1	Lamp Holder	5S5234003

INSTRUCTIONS IMPORTANTES – MANUEL D'OPÉRATION

Modèle: AKLC70DW



Ventilateur combiner, comprend
lumière et ventilation

LIRE ET CONSERVER CES INSTRUCTIONS

LIRE SOIGNEUSEMENT AVANT DE TENTER D'ASSEMBLER, INSTALLER, OPÉRER OU DE RÉPARER LE PRODUIT DÉCRIT. PROTÉGEZ VOUS-MÊME ET LES AUTRES EN OBSERVANT TOUTE L'INFORMATION DE SÉCURITÉ. FAILLIR À SE CONFORMER AUX INSTRUCTIONS PEUT RÉSULTER EN BLESSURE PERSONNELLE GRAVE ET/OU EN DOMMAGE À LA PROPRIÉTÉ.

CONSERVER CES INSTRUCTIONS POUR RÉFÉRENCES FUTURES.

INSTRUCTIONS GÉNÉRALES DE SÉCURITÉ

Lors de l'utilisation d'appareils électriques, des précautions de base doivent toujours être suivies pour réduire les risques d'incendie, de choc électrique et de blessures corporelles, incluant ce qui suit:

1. Bien lire toutes les instructions avant d'installer ou d'utiliser le ventilateur d'évacuation.
2. Utiliser cette unité seulement de la manière pour laquelle le fabricant l'a conçu. Si vous aviez des questions, veuillez contacter le fabricant.
3. Avant d'effectuer un service ou de nettoyer l'unité, couper l'alimentation électrique dans le panneau de distribution et verrouiller le dispositif de déconnexion afin d'éviter que l'alimentation ne revienne accidentellement. Lorsque le dispositif ne peut être verrouillé, fixer solidement un avis d'avertissement, tel qu'une étiquette, au panneau de distribution.
4. Le travail d'installation et le câblage électrique doivent être effectués par une(des) personne(s) qualifiée(s) en conformité avec tous les codes et normes applicables, incluant la construction relative aux incendies.
5. De l'air en quantité suffisante est requis pour la bonne combustion et l'évacuation de gaz par le conduit (cheminée) provenant d'équipement de brûlage au combustible pour prévenir un refoulement. Suivre les directives du fabricant de l'équipement de chauffage et les normes de sécurité telles que celles publiées par la National Fire Protection Association (NFPA) et de la American Society for Heating, Refrigeration, and Air Conditioning Engineers (ASHRAE), et de celles des autorités locales du code.

AVERTISSEMENT: POUR USAGE DE VENTILATION GÉNÉRALE EXCLUSIVEMENT. NE PAS UTILISER POUR ÉVACUER DU MATÉRIEL ET DES VAPEURS DANGEREUSES OU EXPLOSIVES.

6. Lors de coupe ou de perçage des murs et plafonds, ne pas endommager le filage électrique et autres utilités cachées.
7. Les ventilateurs avec conduits doivent toujours être évacués vers l'extérieur.
8. Cette unité doit être mise à la terre.
9. Pour éviter des dommages aux roulements des moteurs et/ou des hélices bruyantes ou déséquilibrées, empêcher la poussière de cloison sèche, poussière de construction, etc., d'atteindre l'unité de puissance.

AVERTISSEMENT: POUR RÉDUIRE LES RISQUES D'INCENDIE OU DE CHOC ÉLECTRIQUE, NE PAS UTILISER CE VENTILATEUR AVEC UN RÉGULATEUR DE VITESSE ÉLECTRONIQUE.

AVERTISSEMENT: NE PAS INSTALLER AU-DESSUS D'UNE BAIGNOIRE NI AU-DESSUS D'UNE CABINE DE DOUCHE.

10. **NE JAMAIS** placer un interrupteur à un endroit qui puisse être atteint de la baignoire ou de la douche.

AVERTISSEMENT: NE PAS UTILISER DANS LES CUISINES

CONSERVER CES INSTRUCTIONS

INSTRUCTIONS D'INSTALLATION

AVERTISSEMENT: VOUS ASSURER QUE L'ALIMENTATION EST COUPÉE AU PANNEAU DE SERVICE AVANT DE COMMENCER L'INSTALLATION.

SECTION 1

Préparation du Ventilateur d'évacuation

- Sortir le ventilateur de sa boîte et confirmer que toutes les pièces sont présentes. En plus du ventilateur d'évacuation vous devriez avoir:
 - 1 - Grille avec les Lentilles de l'éclairage
 - 1 - Ensemble de clapet (attaché)
 - 2 - Vis #8
 - 2 - Rondelle de Sécurité
 - 4 - Traverses de Montage
 - 1 - Feuillet d'instructions / sécurité
- Choisir un emplacement pour votre ventilateur. Pour assurer la meilleure performance de l'air et sonore, il est recommandé que la longueur des conduits et que le nombre de coudes soit gardé au minimum, et que des conduits rigides isolés soient utilisés. Des plus grands formats de conduits réduiront le bruit et les restrictions au débit d'air. Ce ventilateur nécessite au moins 15,2cm (6po) de dégagement du mur ou du plafond et peut s'installer au travers de cloisons sèches d'épaisseur de 1,9cm (3/4po). Le ventilateur peut être monté directement sur la solive à l'aide des onglets de montage où entre les 40,6cm (16po) au centre des solives en utilisant les 4 traverses de montages fournies.

SECTION 2

Nouvelle construction

- Installation des Traverses de Montage:** installer les traverses sur le châssis et positionner le châssis près de la solive. En utilisant le guide sur le châssis du ventilateur, aligner le châssis pour qu'il soit à effleurement avec le plafond fini. Fixer les extrémités des traverses avec des clous ou des vis (non-comprisés) aux solives et glisser le châssis à sa position finale (**Figure 1**).

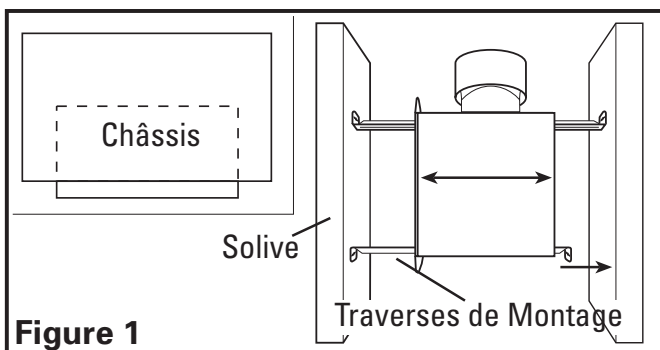


Figure 1

- Installation des Onglets de Montage:** à l'aide des guides sur le châssis du ventilateur, aligner le châssis pour qu'il soit à effleurement avec le plafond fini. Positionner le ventilateur pour que les onglets reposent à plat contre la solive et fixer en place à l'aide de quatre vis ou clous (non-comprisés) pour assurer une bonne installation (**Figure 2**).

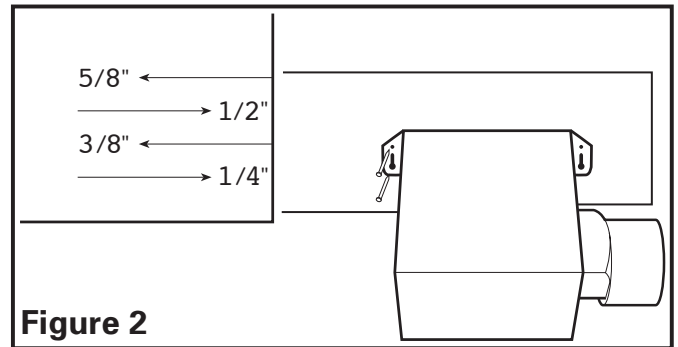


Figure 2

SECTION 3

Existing Construction

- Installation des Traverses de Montage:** placer le châssis en position entre les solives et tracer un contour sur le matériau du plafond (**Figure 3**). Mettre le châssis de côté et découper l'ouverture, en prenant soin de ne pas couper ou endommager des câbles électriques dissimulés ou autres utilités. Installer les traverses sur le châssis et positionner le châssis dans le trou percé précédemment afin qu'il soit à effleurement avec le plafond fini. Fixer les extrémités de la traverses à la solive avec des clous ou des vis (non-comprisés) (**Figure 1**).

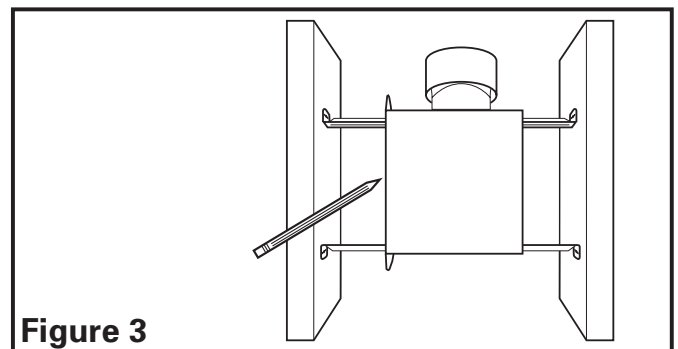


Figure 3

- Installation des Onglets de montage:** positionner le châssis contre la solive et tracer un contour du châssis sur le matériau du plafond (**Figure 4**). Mettre le châssis de côté et découper l'ouverture, en prenant soin de ne pas couper de câble électrique dissimulé ou autre utilité. Placer le châssis près de la solive et vous assurer qu'il soit à effleurement avec le plafond fini. Fixer avec quatre (4) clous (non-comprisés) pour assurer une installation adéquate (**Figure 2**).

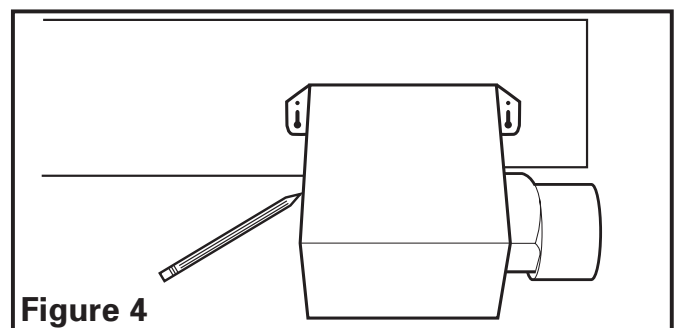


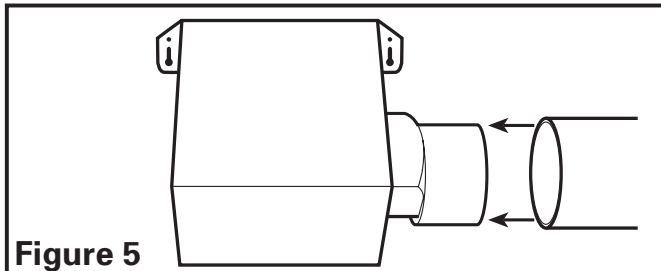
Figure 4

SECTION 4

Conduits

AVERTISSEMENT: TOUS LES CONDUITS DOIVENT ÊTRE CONFORMES AUX CODES DU BÂTIMENT LOCAUX ET NATIONAUX.

1. Raccorder le conduit au collet de conduit du ventilateur (**Figure 5**). Fixer en place à l'aide de ruban ou de serre-joint. Toujours évacuer le ventilateur vers l'extérieur au travers de chapeau mural ou de toit.



REMARQUE: Si le clapet se détache de l'unité, le rattacher en cliquant le collet sur l'unité. Il est conçu pour ne s'assembler que d'une seule manière.

SECTION 5

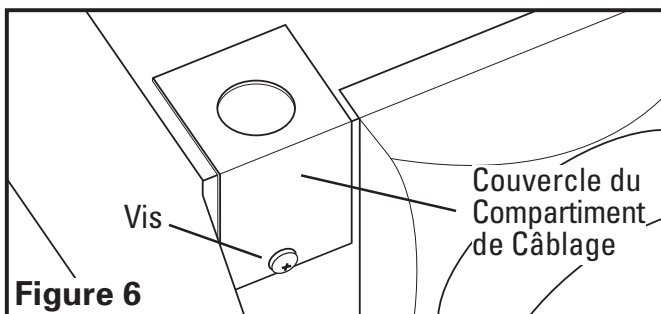
Câblage

AVERTISSEMENT: VOUS ASSURER QUE L'ALIMENTATION EST COUPÉE AU PANNEAU DE SERVICE AVANT DE COMMENCER L'INSTALLATION.

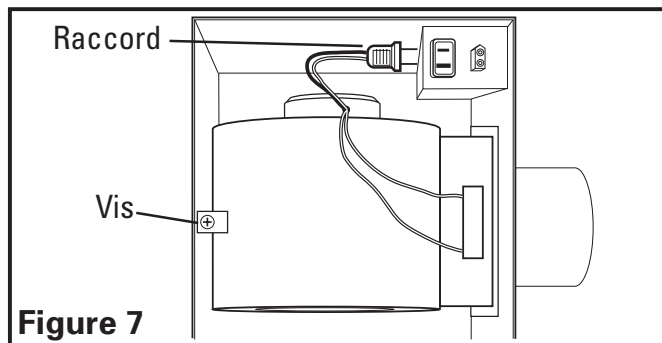
AVERTISSEMENT: TOUTES LES CONNEXIONS DOIVENT ÊTRE FAITES EN CONFORMITÉ AVEC LES CODES ÉLECTRIQUES LOCAUX OU NATIONAUX. SI VOUS N'ÊTES PAS FAMILIER AVEC LES MÉTHODES D'INSTALLATION DE CÂBLAGE ÉLECTRIQUE, RECOURREZ AUX SERVICES D'UN ÉLECTRICIEN QUALIFIÉ.

REMARQUE: cette unité possède un panneau d'accès latéral pour le câblage qui ne requiert pas l'enlèvement de l'assemblage de la soufflante du ventilateur. Si vous choisissez de raccorder l'unité par l'intérieur, vous aurez besoin d'enlever l'assemblage de la soufflante et le compartiment de câblage intérieur. Les deux méthodes sont également efficaces.

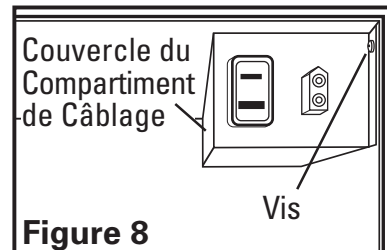
- 1a. **Compartiment de Câblage Extérieur :** enlever la vis du couvercle du compartiment à câblage et mettre ce couvercle dans un endroit fiable (**Figure 6**).



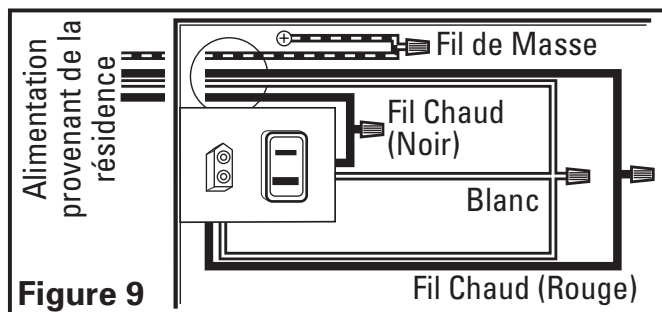
- 1b. **Compartiment de Câblage Intérieur:** enlever le vis retenant en place l'assemblage de la soufflante. Tirer vers le haut le kit d'assemblage et basculer sur un angle de 45 degré pour pouvoir sortir du boîtier. (**Figure 7**). Enlever la vis du couvercle du compartiment à câblage et mettre ce couvercle dans un endroit fiable (**Figure 8**).



REMARQUE: si le raccord du moteur de ventilateur est raccordé au réceptacle du châssis, le débrancher afin que l'assemblage de la soufflante soit complètement enlevé.

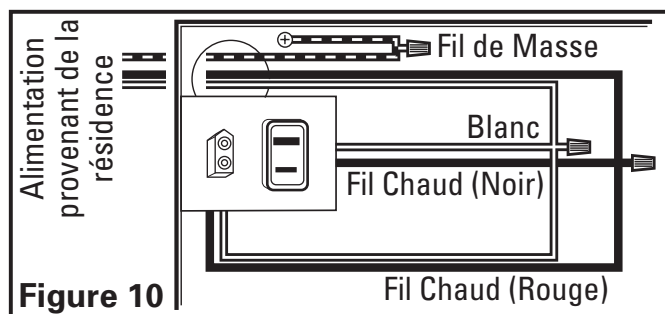


- 2a. **Câblage du ventilateur/de la lumière sur des circuits indépendants:** courir le câblage à partir d'un commutateur mural approuvé et de capacité appropriée. Un fil de neutre (blanc), un fil de mise à la terre (vert ou cuivre nu), et deux fils vivants (le fil noir raccordé à l'interrupteur). Fixer les câbles électriques au châssis à l'aide de connecteur électrique approuvé. Vous assurer que vous laissez suffisamment de câble dans la boîte pour permettre le raccordement au réceptacle du ventilateur.
- 2b. Par là où vous avez accès à l'intérieur de la boîte de jonction du ventilateur, raccorder un fil blanc de la maison aux deux fils blancs du réceptacle de la lumière du ventilateur et le fil blanc du réceptacle du ventilateur d'évacuation. Raccorder le premier fil noir provenant du commutateur mural au fil rouge du réceptacle de la lumière. Raccorder le second fil noir provenant de la maison vers le réceptacle du ventilateur d'évacuation. Raccorder le fil de mise à la terre de la maison au fil vert de la vis de mise à la terre du ventilateur (**Figure 9**). Utiliser des méthodes de raccordement approuvées pour toutes les connexions.



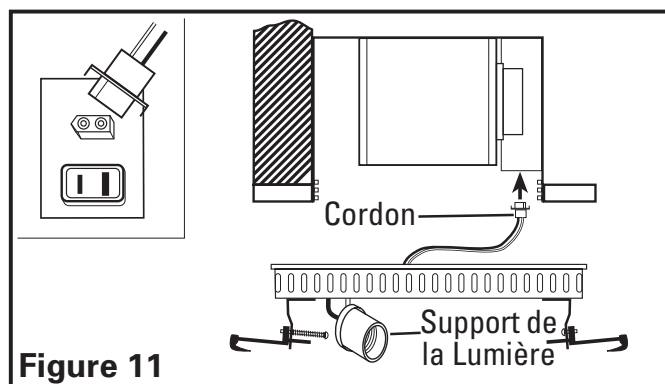
- 3a. **Câblage du ventilateur/de la lumière sur le même circuit:** courir le câblage d'un commutateur mural approuvé et de capacité appropriée. Un neutre (blanc), un de mise à la terre (vert ou cuivre nu), et un vivant (fil noir raccordé à l'interrupteur mural). Fixer les câbles électriques au châssis avec un connecteur électrique approuvé. Vous assurer de laisser suffisamment de câble dans la boîte pour faire le raccordement au réceptacle du ventilateur.
- 3b. Par là où vous avez accès à l'intérieur de la boîte de jonction du ventilateur, raccorder un fil blanc provenant de la maison aux

deux fils Blancs du réceptacle de la lumière et le fil blanc du réceptacle du ventilateur d'évacuation. Raccorder le fil noir provenant du commutateur mural aux deux fils rouge du réceptacle de la lumière et au fil noir du réceptacle du ventilateur d'évacuation. Raccorder le fil de mise à la terre de la maison au fil vert de la vis de mise à la terre du ventilateur (**Figure 10**). Utiliser des méthodes de raccordement approuvées pour toutes les connexions.

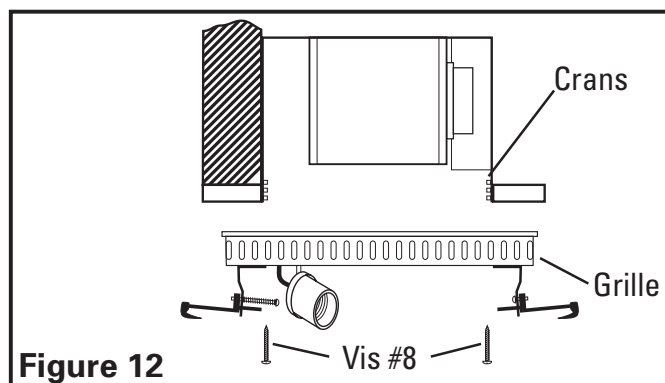


SECTION 6 Compléter l'installation

1. Si l'assemblage de la soufflante du ventilateur a été enlevé durant le processus de raccordement, réinstaller la soufflante en inversant les instructions à l'étape 1b de la **Section 5 Câblage**.
2. Branchez la prise du ventilateur dans son réceptacle. (**Figure 7**).
3. Connecter le cordon des socles de lampe dans le réceptacle approprié (**Figure 11**).

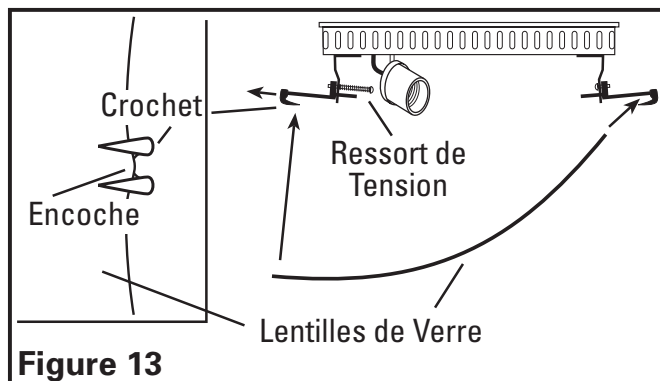


4. Aligner les fentes dans la grille avec les crans à l'intérieur du châssis. Insérer les vis # 8 incluses au travers des fentes de la grille dans les crans du châssis. Serrer les deux vis jusqu'à ce que la grille s'ajuste fermement au plafond. **NE PAS SERRER A OUTRANCE** (**Figure 12**).



AVERTISSEMENT: UN MANQUEMENT A BIEN SERRER LA GRILLE PEUT RESULTER EN UN BRUIT DE CRECELLEMENT OU DE GRONDEMENT.

5. Installer une lampe incandescente de type A19 à base moyenne de 100 watts maximum (non incluse).
6. La base installée à l'étape 4 a un ensemble de crochet de montage pour la vitre du luminaire. Un des crochets de montage est en une position fixe, les autres crochets ont des ressorts de tension. La vitre du luminaire a des encoches de chaque côté. Glissez une des encoches de la vitre dans le crochet fixe. Par la suite tirez les crochets à ressort de façon à ce que vous puissiez insérer la vitre jusqu'à l'encoche suivante. Assurez vous que la vitre est tenue en place de façon sécuritaire (**Figure 13**).



7. Restaurer l'alimentation et tester votre installation.

SECTION 7 Utilisation et entretien

AVERTISSEMENT: VOUS ASSURER QUE L'ALIMENTATION EST COUPÉE AU PANNEAU DE SERVICE AVANT DE COMMENCER L'INSTALLATION.

1. **Nettoyage de la grille:** vous référer à la **Section 6 Compléter l'installation**, pour enlever la grille et les lentilles en verre. Utiliser un détergent doux, tel que du liquide pour la vaisselle, puis sécher à l'aide d'un chiffon doux. **NE JAMAIS UTILISER D'ABRASIF OU DE POUDRE A RECURER.** Sécher complètement toutes les pièces avant de réinstaller. Vous référer à la **Section 6 Compléter l'installation**, pour réinstaller la grille les lentilles en verre.
2. **Nettoyage de l'assemblage du ventilateur:** Nettoyer toutes les parties à l'aide d'un chiffon sec ou passer délicatement l'aspirateur sur le ventilateur. **NE JAMAIS IMMERGER LES PARTIES ÉLECTRIQUES DANS L'EAU.**

AVERTISSEMENT: PERMETTRE À L'AMPOULE DE SE REFROIDIR AVANT DE LA REPLACER.

3. **Changer la lumière:** Débrancher le courant. Enlever la vitre de la grille en tirant légèrement pour tendre les crochets de tensions vers l'extérieur et glisser la vitre pour la sortir de ses crochets (**Figure 13**). Remplacer la lampe incandescente de type A19 a base moyenne de 100 watts maximum. Réferez vous aux instructions à l'étape 6 de la **Section 6. Compléter l'installation**, remplacer la vitre en place.

Guide de dépannage

Trouble	Cause Possible	Solution Suggérée
1. Le ventilateur ne fonctionne pas lorsque l'interrupteur est à la position en marche.	1a. Un fusible peut être grillé ou un disjoncteur peut être déclenché. 1b. La fiche de raccord du moteur n'est pas connectée. 1c. Le câblage n'est pas raccordé correctement. 1d. Le moteur est terminée	1a. Remplacer le fusible ou réinitialiser le disjoncteur. 1b. Couper l'alimentation à l'unité. Retirer la grille et brancher le moteur dans le réceptacle dans le cabinet. Remettre l'alimentation sur l'unité. 1c. Couper l'alimentation de l'unité. Vérifier que tous les fils sont raccordés. 1d. Remplacez la moteur
2. Le ventilateur fonctionne, mais l'air circule plus lentement que la normale.	2. Obstruction dans les conduits d'évacuation.	2. Vérifier pour toute obstruction dans les conduits. Les plus courantes sont des nids d'oiseau dans le chapeau de toit ou mural là où le ventilateur s'évacue vers l'extérieur.
3. Le ventilateur fonctionne de manière plus bruyante que la normale.	3a. Le moteur est lâche. 3b. L'hélice du ventilateur frotte contre le cabinet de l'unité.	3a. Couper l'alimentation à l'unité. Retirer la grille et vérifier que toutes les vis sont complètement serrées. Remettre l'alimentation sur l'unité. 3b. Appeler votre marchand pour un service.

GARANTIE LIMITÉE

Tous les produits fabriqués par Air King Limited sont garantis pour un an à partir de la date d'achat contre les défauts de main d'œuvre et/ou de matériel. De plus, tous les ventilateurs / évacuateurs, chaufferettes, combinés ventilateur/ lumière et/ou les chaufferettes et les hottes de cuisine sont garantis pour cinq années à partir de la date d'achat contre les défauts de main d'œuvre et/ou de matériel.

Cette garantie ne couvre pas de coûts de transport ou de main d'œuvre ou le coût de remplacement de composantes faisant partie d'entretien de routine tels que : Filtres à graisse des hottes de cuisine, filtres au charbon ou combiné filtre à graisse/ charbon ; ampoules électriques de remplacement dans les hottes de cuisine ou les combinés ventilateur/ lumière/ chaufferette pour salle de bain. Aussi, tout dommage ou défaillance causé par un abus, une mauvaise utilisation, une installation fautive ou un entretien incorrect ne sera pas couvert par cette garantie.

De manière à effectuer une réclamation sous cette garantie, vous devez être l'acheteur original du produit. Il vous sera exigé de présenter la facture d'achat originale à Air King, qui démontrera : La date d'achat, l'endroit de l'achat et le modèle acheté. Le manquement à rencontrer ces exigences annulera votre garantie.

Air King ne sera pas tenu responsable de quelque blessure corporelle ou dommage à la propriété ou à l'immeuble que ce soit causé directement ou indirectement par le produit. Certains États ne permettent pas de limitation sur la durée de la garantie implicite, ou l'exclusion ou la limitation de dommages indirects ou accessoires, ainsi, ces limitations et exclusions peuvent ne pas s'appliquer à vous. Cette garantie vous donne des droits légaux spécifiques et vous pouvez aussi avoir des droits qui varient d'un État à l'autre et d'une province à l'autre.

POUR DES PIÈCES OU DE L'ASSISTANCE TECHNIQUE

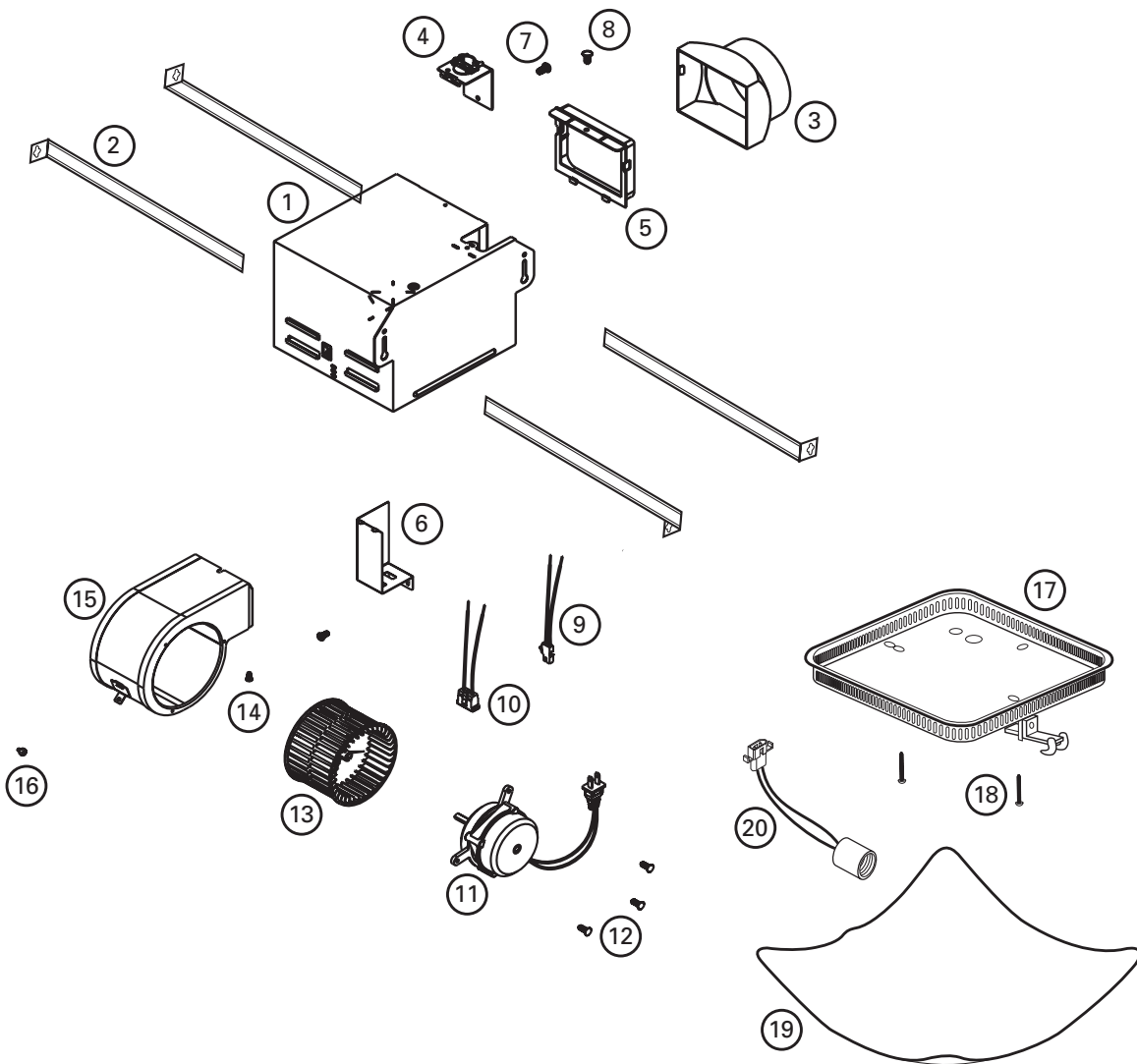
Veuillez appeler au 1-800-465-7300, **DU LUNDI AU VENDREDI ENTRE 8:00 HRE ET 16:00 HRE HNE.**
VEUILLEZ NE PAS RETOURNER CE PRODUIT À L'ENDROIT DE L'ACHAT D'ORIGINE.

Référencer le type et le style du produit (localisé sur l'étiquette à l'intérieur du produit) lorsque vous appelez.
 Pour plus d'information, veuillez visiter le site Web de Air King au www.airkinglimited.com

Installateur: _____ Date d'installation: _____

Endroit de l'achat: _____ Numéro de modèle: _____

DIAGRAMME DES PIÈCES DE REMPLACEMENT



#	Qté.	Description	# de pièce de remplacement
1	1	Cabinet du ventilateur	5S1234001
2	4	Traverses de Montage	5S1299002
3	1	Collet / Clapet	5S1299006
4	1	Couvercle de Câble Externe	5S2299014
5	1	Joint - Collet	5S2299015
6	1	Couvercle de Câble Interne	5S2234001
7	1	Vis #8 de B	5S1299007
8	1	Vis #6 de B	5S1999010
9	1	Polarized Connector	5S1299008
10	1	Réceptacle	5S1999001

#	Qté.	Description	# de pièce de remplacement
11	1	Moteur	5S2234002
12	3	Vis de Montage de Moteur	5S2234003
13	1	Roue de la Soufflante	5S2234004
14	2	Vis du Capuchon	5S2234005
15	1	Cabinet de la Soufflante	5S2234006
16	1	Vis #10 de B	5S1299009
17	1	Base	5S5234001
18	1	Vis de Montage	5S5204004
19	1	Lentilles de Verre	5S5234002
20	1	Support de la Lumière	5S5234003