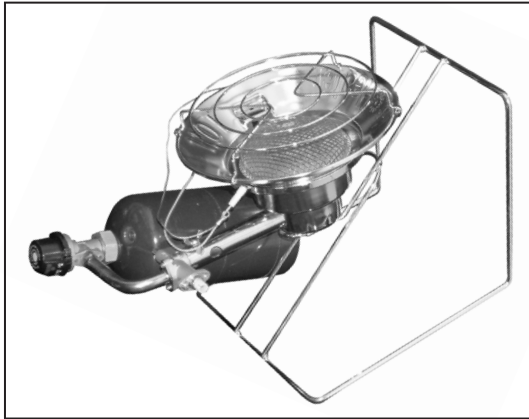




# OPERATING INSTRUCTIONS AND OWNER'S MANUAL

MODEL #  
MH15C

**READ INSTRUCTIONS CAREFULLY:** YOUR SAFETY IS IMPORTANT TO YOU AND TO OTHERS. Read and follow all instructions. Place instructions in a safe place for future reference. Do not allow anyone who has not read these instructions to assemble, light, adjust or operate the heater.



## GAS-FIRED INFRA-RED COOKER/PORTABLE HEATER

CYLINDER NOT INCLUDED

### LANGUAGES INCLUDED:

- ENGLISH
- SPANISH

**⚠ WARNING:** If the information in this manual is not followed exactly, a fire or explosion may result causing property damage, personal injury, or loss of life.

- Do not store or use gasoline or other flammable vapors and liquids in the vicinity of this or any other appliance.
- An LP cylinder not connected for use shall not be stored in the vicinity of this or any other appliance.
- WHAT TO DO IF YOU SMELL GAS
  - Do not try to light any appliance.
  - Extinguish any open flame.
  - Shut off gas to appliance.
- Service must be performed by a qualified service agency.
- DO NOT LEAVE HEATER UNATTENDED OR IN OPERATION WHILE SLEEPING

**⚠ WARNING:** This is an unvented gas-fired portable heater. It uses air (oxygen) from the area in which it is used. Adequate combustion and ventilation air must be provided. Refer to page 5 of this manual.

**WARNING:**

⚠ YOUR SAFETY IS IMPORTANT TO YOU AND TO OTHERS, SO PLEASE READ THESE INSTRUCTIONS BEFORE YOU OPERATE THIS HEATER.

**GENERAL HAZARD WARNING:**

⚠ FAILURE TO COMPLY WITH THE PRECAUTIONS AND INSTRUCTIONS PROVIDED WITH THIS HEATER, CAN RESULT IN DEATH, SERIOUS BODILY INJURY AND PROPERTY LOSS OR DAMAGE FROM HAZARDS OF FIRE, EXPLOSION, BURN, ASPHYXIATION, CARBON MONOXIDE POISONING, AND/OR ELECTRICAL SHOCK.

⚠ ONLY PERSONS WHO CAN UNDERSTAND AND FOLLOW THE INSTRUCTIONS SHOULD USE OR SERVICE THIS HEATER.

⚠ IF YOU NEED ASSISTANCE OR HEATER INFORMATION SUCH AS AN INSTRUCTIONS MANUAL, LABELS, ETC. CONTACT THE MANUFACTURER.

**WARNING:**

⚠ **CARBON MONOXIDE CAN KILL YOU**  
USING A PORTABLE GAS CAMPING HEATER INSIDE A TENT, RV, CAMPER, VEHICLE, SHELTER OR OTHER ENCLOSED AREAS CAN PRODUCE DEADLY CARBON MONOXIDE

**WARNING:**

⚠ NOT FOR HOME OR RECREATIONAL VEHICLE USE.

**WARNING:**

⚠ FIRE, BURN, INHALATION, AND EXPLOSION HAZARD. KEEP SOLID COMBUSTIBLES, SUCH AS BUILDING MATERIALS, PAPER OR CARDBOARD, A SAFE DISTANCE AWAY FROM THE HEATER AS RECOMMENDED BY THE INSTRUCTIONS NEVER USE THE HEATER IN SPACES WHICH DO OR MAY CONTAIN VOLATILE OR AIRBORNE COMBUSTIBLES, OR PRODUCTS SUCH AS GASOLINE, SOLVENTS, PAINT THINNER, DUST PARTICLES OR UNKNOWN CHEMICALS.

**WARNING:**

⚠ THIS PRODUCT CAN EXPOSE YOU TO CHEMICALS INCLUDING LEAD AND LEAD COMPOUNDS, WHICH ARE KNOWN TO THE STATE OF CALIFORNIA TO CAUSE CANCER AND BIRTH DEFECTS OR OTHER REPRODUCTIVE HARM. FOR MORE INFORMATION VISIT [WWW.P65WARNINGS.CA.GOV](http://WWW.P65WARNINGS.CA.GOV)

Fuels used in liquefied propane gas appliances, and the products of combustion of such fuel, can expose you to chemicals including benzene, which is known to the state of California to cause cancer and cause birth defects or other reproductive harm, for more information go to [www.P65Warnings.ca.gov](http://www.P65Warnings.ca.gov)

**CONTENTS**

WARNINGS..... E2

HOOKUP INFORMATION ..... E3

ODOR FADE WARNING ..... E4

GENERAL INFORMATION..... E5

FOR SAFE OPERATION ..... E5

VENTILATION ..... E5

MINIMUM CLEARANCE FROM COMBUSTIBLE MATERIALS ..... E5

ASSEMBLY PROCEDURE ..... E5

COOKING POSITIONS ..... E6

LIGHTING INSTRUCTIONS ..... E6

SHUTDOWN AND STORAGE INSTRUCTIONS ..... E6

REPLACEMENT PARTS LIST ..... E7

WARRANTY ..... E8

INSTRUCTIONS FOR ORDERING PARTS ..... E8

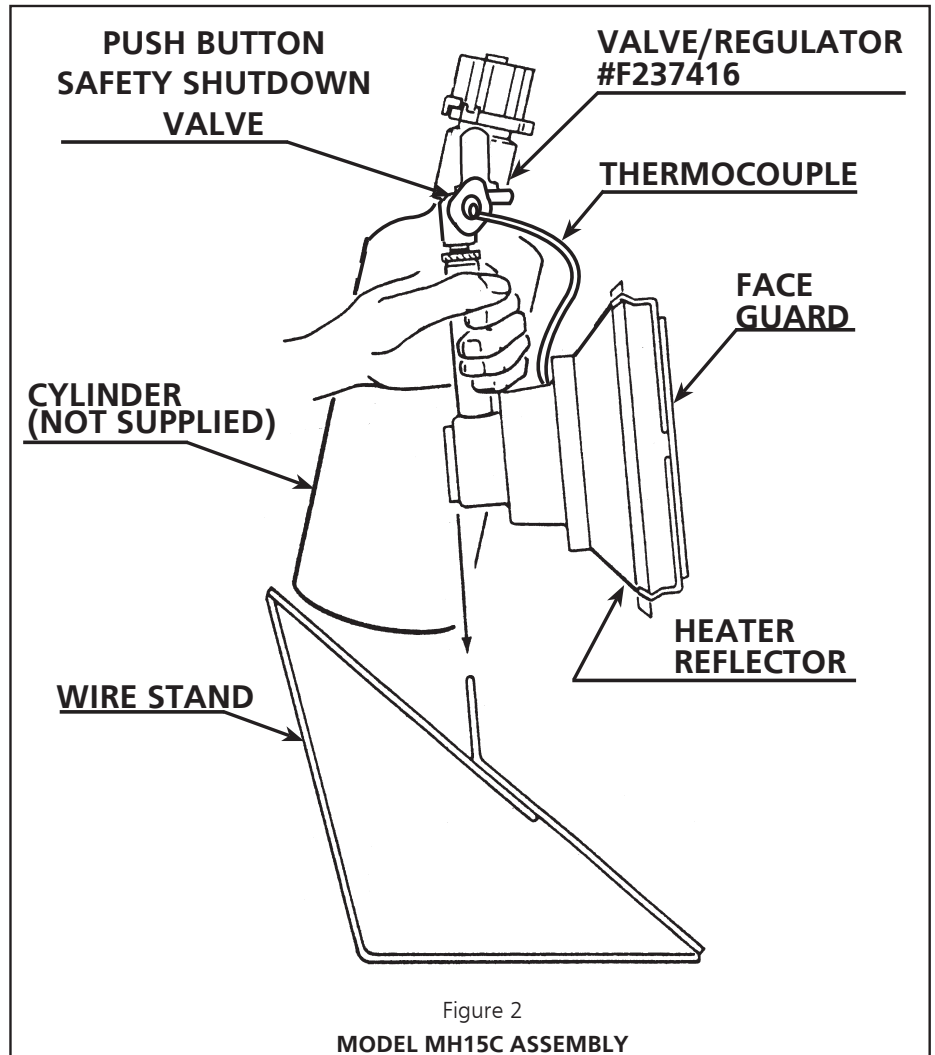
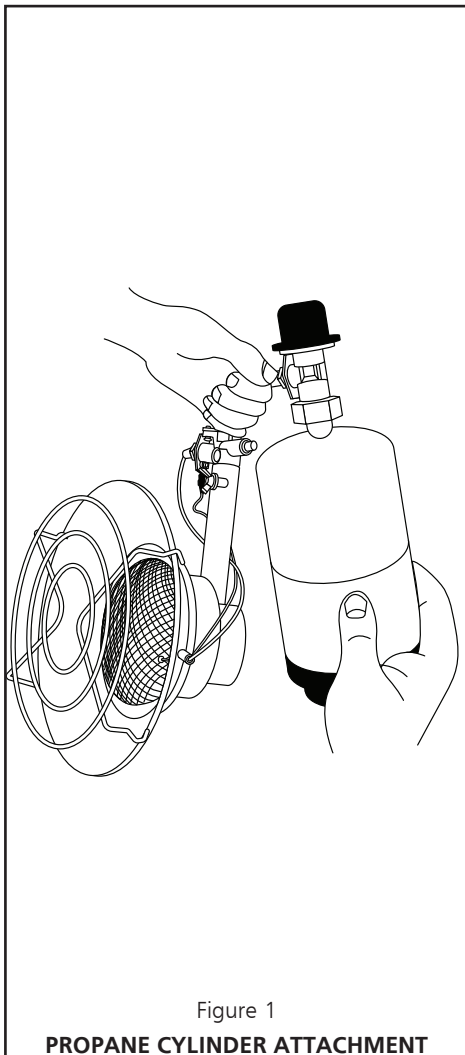
## HOOK-UP INFORMATION

- 1.1 Heater model MH15C is packaged completely assembled except for metal stand. Propane cylinders are not included with model MH15C.
- 1.2 Remove heater from carton.
- 1.3 Hold heater in one hand and with the other hand hold propane cylinder vertically and carefully turn clockwise into heater valve-regulator until snug. (Careful not to cross-thread). See Figure 1.
- 1.4 Use only LP-gas cylinders constructed for use with propane only (HD-5) and marked in accordance with the specifications for LP-gas cylinders of the U. S. Department of Transportation (DOT Spec. 39).
- 1.5 Use propane fuel cylinders of not more than 75 cubic inches (2-1/2 pounds nominal water capacity) and connect to cylinder valve outlet connection No. 600 as specified in the Compressed Gas Associations Limited Standard Cylinder Valve Outlet Connection for propane-small valve series.

- 2.1 Grasp heater model by cylinder and hold wire stand with other hand. Slide mounting clip on back of heater onto chrome plated wire stand. See Figure 2.
- 2.2 Make sure wire stand is on a flat surface in the outdoors. See paragraph 5 for additional assembly procedure.

2.3 **⚠ WARNING**  
Never touch heater while in operation to avoid injury.  
Move heater by grasping the propane cylinder carefully.

- 2.4 Read complete manual before lighting heater.



## WARNING

### ⚠️ Asphyxiation Hazard

- Do not use this heater for heating human living quarters.
- Do not use in unventilated areas.
- The flow of combustion and ventilation air must not be obstructed.
- Proper ventilation air must be provided to support the combustion air requirements of the heater being used.
- Refer to the specification section of the heater's manual, heater dataplate, or contact the factory to determine combustion air ventilation requirements of the heater.
- Lack of proper ventilation air will lead to improper combustion.
- Improper combustion can lead to carbon monoxide poisoning leading to serious injury or death. Symptom of carbon monoxide poisoning can include headaches dizziness and difficulty in breathing.

## FUEL GAS ODOR

LP gas and natural gas have man-made odorants added specifically for detection of fuel gas leaks.

**If a gas leak occurs you should be able to smell the fuel gas. Since Propane (LP) is heavier than air you should smell for the gas odor low to the floor. ANY GAS ODOR IS YOUR SIGNAL TO GO INTO IMMEDIATE ACTION!**

- Do not take any action that could ignite the fuel gas. Do not operate any electrical switches. Do not pull any power supply or extension cords. Do not light matches or any other source of flame. Do not use your telephone.
- Get everyone out of the building and away from the area immediately.
- Close all propane (LP) gas tank or cylinder fuel supply valves, or the main fuel supply valve located at the meter if you use natural gas.
- Propane (LP) gas is heavier than air and may settle in low areas. When you have reason to suspect a propane leak, keep out of all low areas.
- Use your neighbor's phone and call your fuel gas supplier and your fire department. Do not re-enter the building or area.
- Stay out of the building and away from the area until declared safe by the firefighters and your fuel gas supplier.
- FINALLY, let the fuel gas service person and the firefighters check for escaped gas. Have them air out the building and area before you return. Properly trained service people must repair any leaks, check for further leakages, and then relight the appliance for you.

## ODOR FADE WARNING

### ODOR FADING - NO ODOR DETECTED

- Some people cannot smell well. Some people cannot smell the odor of the man-made chemical added to propane (LP) or natural gas. You must determine if you can smell the odorant in these fuel gases.

- Learn to recognize the odor of propane (LP) gas and natural gas. Local propane (LP) gas dealers will be more than happy to give you a scratch and sniff pamphlet. Use it to become familiar with the fuel gas odor.
- Smoking can decrease your ability to smell. Being around an odor for a period of time can affect your sensitivity to that particular odor. Odors present in animal confinement buildings can mask fuel gas odor.
- **The odorant in propane (LP) gas and natural gas is colorless and the intensity of its odor can fade under some circumstances.**
- If there is an underground leak, the movement of gas through the soil can filter the odorant.
- Propane (LP) gas odor may differ in intensity at different levels. Since Propane (LP) gas is heavier than air, there may be more odor at lower levels.
- **Always be sensitive to the slightest gas odor.** If you continue to detect any gas odor, no matter how small, treat it as a serious leak. Immediately go into action as discussed previously.

## ATTENTION - CRITICAL POINTS TO REMEMBER!

- Propane (LP) gas has a distinctive odor. Learn to recognize these odors. (Reference Fuel Gas Odor and Odor Fading sections above.)
- Even If you are not properly trained in the service and repair of the heater, ALWAYS be consciously aware of the odors of propane (LP) gas and natural gas.
- If you have not been properly trained in repair and service of propane (LP) gas then do not attempt to light heater, perform service or repairs, or make any adjustments to the heater on the propane (LP) gas fuel system.
- A periodic sniff test around the heater or at the heater's joints; i.e. hose, connections, etc., is a good safety practice under any conditions. If you smell even a small amount of gas, CONTACT YOUR FUEL GAS SUPPLIER IMMEDIATELY. DO NOT WAIT!

# 1. GENERAL INFORMATION

- A. The Mr. Heater MH15C is a high pressure propane appliance and is designed to be connected to a 14.1 or 16.4 ounce disposable propane cylinder. Every unit is tested during manufacturing and shipped fully assembled except for the wire stand.
- B. These heaters are equipped with an automatic Safety Shutoff Valve. The gas flow will automatically stop if the heater fails to operate for any reason.
- C. Maximum safety and convenience have been built into the Hi-Med-Lo-Off Control Valve/Regulator. The following table, Figure 3, lists the approximate BTU's consumed and the operating hours you can reasonably expect from disposable propane cylinders.

| Valve Position | BTU Input | Cylinder 14.1 oz. | Cylinder 16.4 oz. |
|----------------|-----------|-------------------|-------------------|
| Hi             | 15,000    | 1.3 hours         | 1.5 hours         |
| Med            | 12,000    | 1.6 hours         | 1.8 hours         |
| Lo             | 10,000    | 1.9 hours         | 2.2 hours         |

Figure 3

# 2. FOR SAFE OPERATION

- A. **READ INSTRUCTIONS CAREFULLY:** Read and adhere to these instructions. Do not allow anyone who **has not read** the instructions to assemble, light, adjust or operate the heater.

**⚠ WARNING**  
KEEP THE HEATER OUT OF THE REACH OF CHILDREN

- B. **PROPANE IS VERY FLAMMABLE:** In the event of a leak, propane will accumulate and the possibility of a fire is present. Propane gas is scented and its strong odor is readily detectable. Never strike a match or bring any flame or create an electric spark in an enclosure when you smell propane gas. Ventilate the area thoroughly, move the heater outside, find and correct the source of the leak before attempting to light any appliance. If you are unsure of these instructions evacuate immediately and call for help.
- C. **GAS LEAKAGE:** If the leak cannot be corrected, do not tamper with the heater, follow the shut down **instructions** and return the heater to the dealer or address given on last page.
- D. **LEAK DETECTION:** Before each use of the heater check all fittings and connections with a soap solution to be sure there are no leaks. **NEVER, NEVER USE ANY FLAME FOR LEAK TEST.**
- E. **CONNECTING HEATER TO PROPANE CYLINDER:** Always connect the heater to the cylinder in the outdoors or in a well ventilated area. **NEVER** connect this heater to a cylinder near an open flame.
- F. **USE OF HEATER:** Always operate the heater in heating position (see Figure 6) or cooking position (see Figure 5) on a level noncombustible surface. **NEVER** place the propane cylinder on its side when operating the heater. In cooking position cylinder must be 30 degrees from horizontal.

**⚠ WARNING**  
**NOT FOR USE ON COMBUSTIBLE FLOORING**

- G. **ATTEND HEATER:** Do not leave heater unattended while it is in operation.
- H. **ALWAYS USE A MATCH TO LIGHT HEATER:** **NEVER** attempt to light the heater with a spark lighter.

- I. **DO NOT TAMPER:** Should the heater not perform properly, such as little or no heat when operating in the "Hi" position, or for any other reason, **DO NOT ATTEMPT TO REPAIR OR TAMPER** with the heater. Any tampering could make the use of the heater unsafe and dangerous. Return the heater to the dealer or the address given on last page for repair or replacement.
- J. **FOR STORAGE:** The heater Hi-Med-Lo-Off regulating valve should always be turned to "Off" when the heater is not in use. Allow at least 15 minutes for cooling before handling and storing. Detach propane cylinder from heater before storing.

**⚠ WARNING**  
DO NOT STORE PROPANE CYLINDERS NEAR AN OPEN FLAME OR HEAT

- K. **DO NOT TRANSPORT OR MOVE APPLIANCE WHILE IN OPERATION OR WHILE HEATER IS ATTACHED. FOLLOW SHUTDOWN AND STORAGE INSTRUCTIONS TO TRANSPORT OR MOVE THIS APPLIANCE.**

# 3. VENTILATION

- A. **WARNING: This heater is an unvented appliance and MUST be used ONLY in a well ventilated area. NEVER** attempt to operate the heater inside any vehicle, camper or enclosure.
- B. **FOR OUTDOOR USE ONLY.** Any combustion process requires and consumes oxygen, and will produce carbon monoxide.
- C. **WARNING:** provide ample ventilation. This heater consumes air (oxygen). Do not use this heater in unventilated structures to avoid endangering your life. Provide additional ventilation for any additional fuel-burning appliances and additional occupants.

# 4. MINIMUM CLEARANCE FROM COMBUSTIBLE MATERIALS

- A. When operating, the heater surfaces are extremely hot. Keep sleeping bags, clothing, and all combustible materials clear of the heater by at least the distances shown in Figure 4.

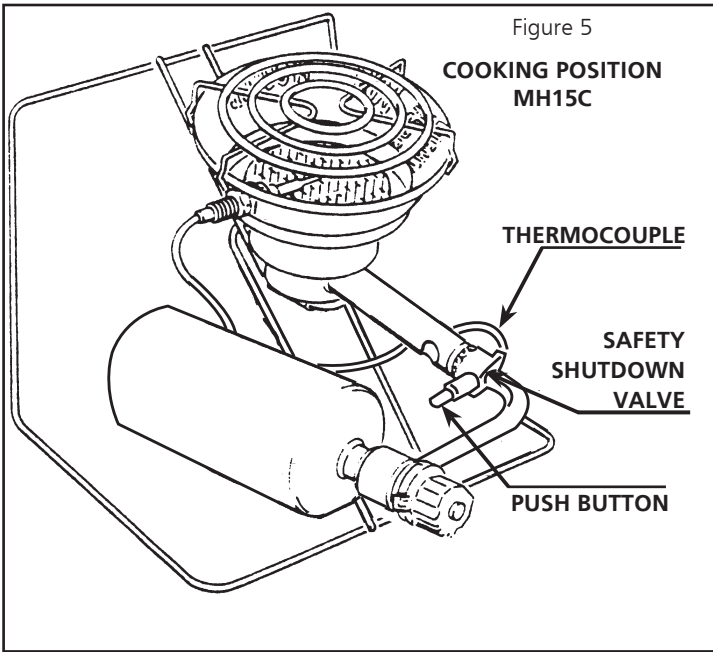
| BTU/HR. RATING |             | NORMAL OPERATING PROCEDURE | CLEARANCES TO COMBUSTIBLES |       |      |            |       |
|----------------|-------------|----------------------------|----------------------------|-------|------|------------|-------|
| MODEL NO.      | GAS PROPANE |                            | TO FLOOR                   | SIDES | REAR | TO CEILING | FRONT |
| MH15C          | 15,000      | Vertical & Horizontal      | Stand Height               | 30"   | 30"  | 36"        | 36"   |

Figure 4

- B. **WARNING:** To avoid injury or property damage never allow clothing, tents or other combustible materials within 30" of the heater. This heater must be located at least 24" above the floor level when in use. Never operate the heater when sleeping.
- C. **WARNING:** Never direct the heat output of this heater toward any propane tank within 20 feet.

# 5. ASSEMBLY PROCEDURE

- A. Make sure the regulator knob on the heater is "off" by turning knob counterclockwise to the "OFF" position.
- B. Carefully screw disposable cylinder hand tight into the inlet tapping of regulator. Make sure gas cylinder is in upright position.
- C. Make sure the heater is firmly placed in the wire stand. (See Figure 2).

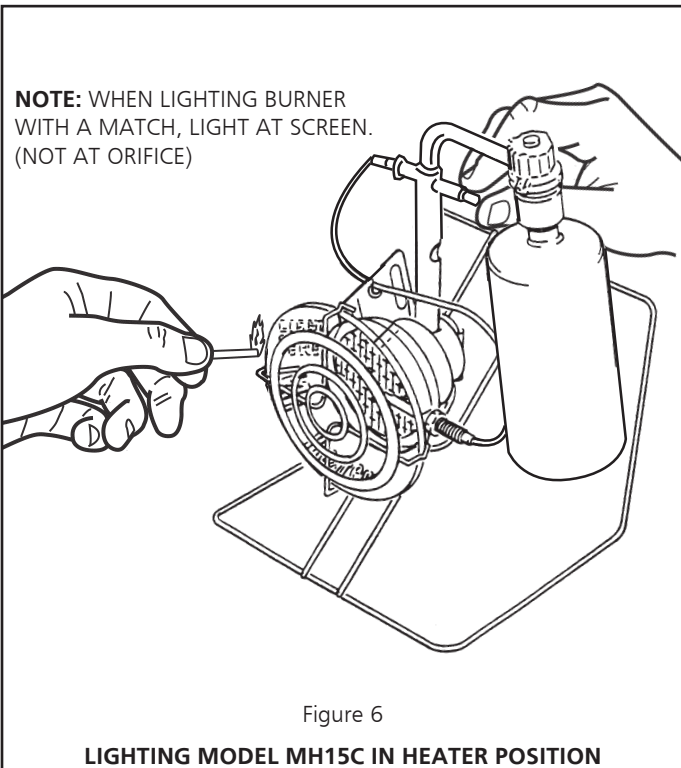


## 6. LIGHTING INSTRUCTIONS

- A. Before attempting to light the heater, check all fittings and connections for leaks by applying a soap and water solution to all connections and look for bubbles, indicating a leak. NEVER USE A MATCH TO CHECK FOR LEAKS. Should a gas leak occur, do not attempt to repair or use heater. Return the heater to your dealer or the address given on last page.
- B. Fuel – this heater must be used with propane fuel cylinders as stated in paragraph 1.4 and 1.5 on page 3.

### **⚠ WARNING**

USE HD-5 PROPANE GAS ONLY. DO NOT USE ANY OTHER TYPE FUEL. SEE YOUR PROPANE DEALER IF YOU HAVE ANY QUESTIONS REGARDING FUEL.



- C. Turn the heater's "Hi-Med-Lo-Off" regulator knob to "Hi" (counterclockwise.)
- D. To light MH15C, place a lit match across the mesh screen where you see "light here" on reflector. (See Fig. 6). THEN push in valve button on Safety Shutoff Valve. After the heater is lit, continue to hold valve button in for 30 seconds, then release the button slowly. **CAUTION: DO NOT PUSH IN VALVE BUTTON BEFORE INSERTING LIT MATCH.**
- E. If burner does not light within 30 seconds, turn the heater's regulator knob to "off" (clockwise) and allow at least five minutes for gas to dissipate before attempting to relight.
- F. NOTE: Should the orifice become clogged as indicated by low volume of gas when operating on "Hi" with a full cylinder, or should the heater fail to operate properly for any reason, return the heater to the dealer or the address given on last page for repair or replacement. DO NOT ATTEMPT TO REPAIR OR TAMPER WITH HEATER.
- G. Adjust heat output by turning knob to desired position.

## 7. SHUTDOWN AND STORAGE INSTRUCTIONS

- A. The valve should ALWAYS be completely turned "OFF" when the heater is not in use.
- B. When shutting off the heater, turn the regulator knob on the heater to "OFF" (clockwise). (See Figure 7).
- C. CAUTION: After turning unit off, heater will remain extremely hot. Allow at least 15 minutes for cooling before handling and storing. Detach heater from cylinder before handling and storage.
- D. HEATER STORAGE: Always remove the propane cylinder from the heater when not in use. Always store propane cylinders in a cool, well ventilated place away from any flame or heat and in a location not used for habitation. DO NOT STORE PROPANE CYLINDER WITHIN 60 FT. OF OPEN FLAME OR HEAT.
- E. See Figure 8 for replacement parts list.

