

**Mr. Heater • Gas-Fired Infra-Red Portable Heater • Model #MH15C**

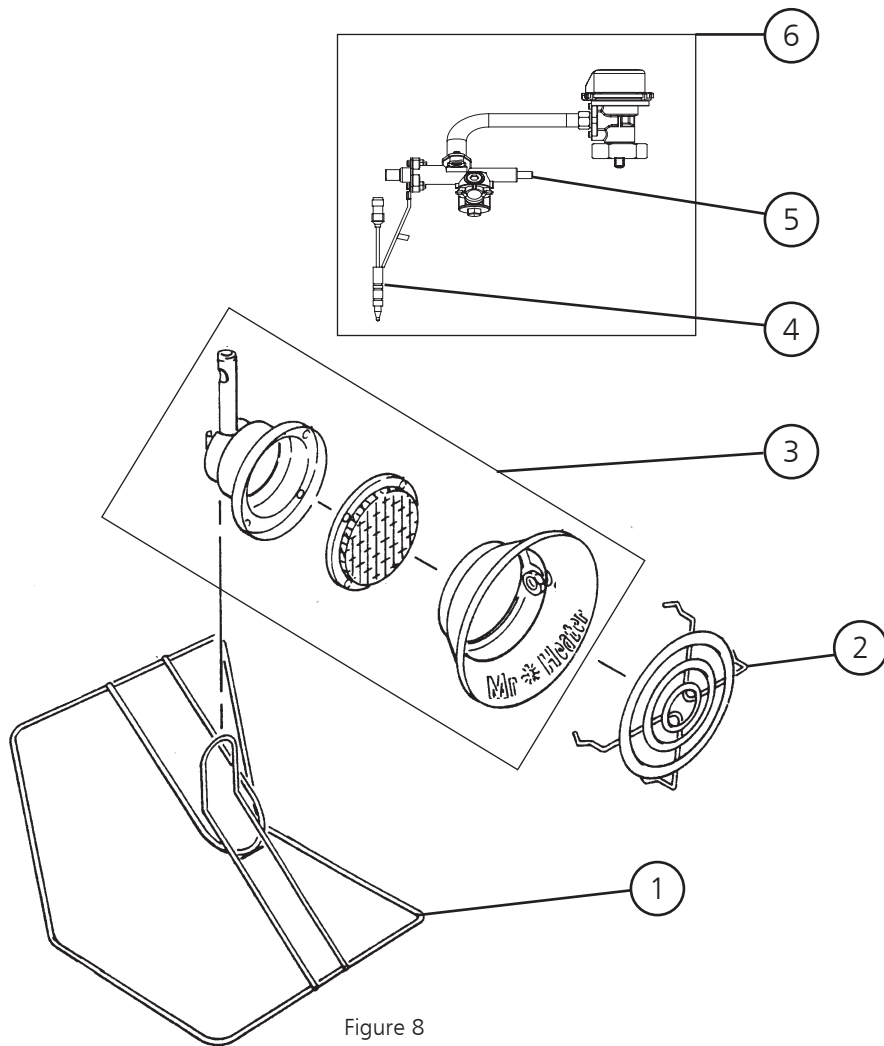


Figure 8

**REPLACEMENT PARTS LIST FOR HEATER MODELS MH15C**

REF #	PART NUMBER	DESCRIPTION
1	75318P	Square Metal Stand (MH15C)
2	17413	Wire Face Guard
3	42109	Complete Plenum Assembly (Plenum, Screen, Reflector)
4	F237425	Thermocouple Lead – 12" Long
5	F237416	Replacement Safety Shutoff with Orifice Assembly
6	42112	Replacement Regulator Assembly Complete (Regulator knob, Thermocouple, Safety Shutoff with Orifice Assembly)

**ALL WARRANTY CLAIMS REQUIRE PROOF OF PURCHASE**