

# INSTRUCTION SHEET FOR MODELS SLRS / SLRM / SLRP

## PARTS LIST

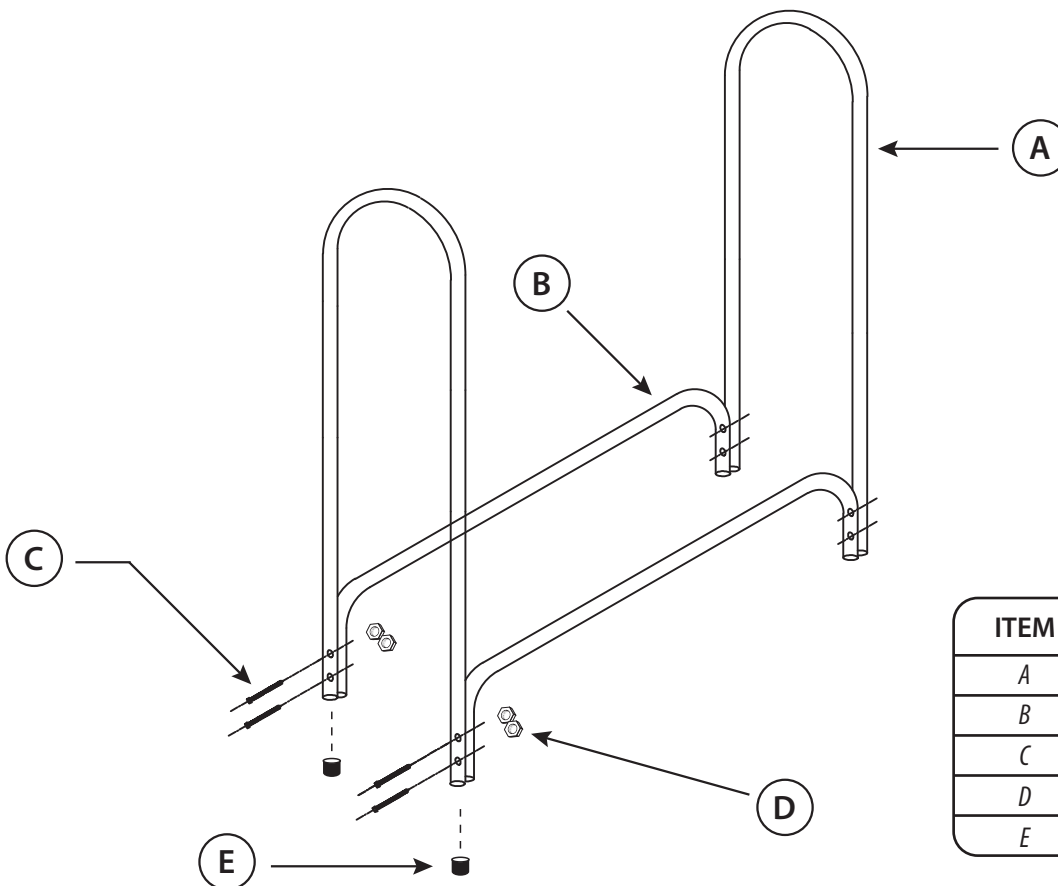
ITEM	DESCRIPTION	QUANTITY
A	END FRAME	2
B	SUPPORT FRAME	2
C	BOLT	8
D	NUT	8
E	PLASTIC CAP	8

**Tools Required:** 7/16" Socket or Adjustable Wrench

Step 1. Remove all contents from the package and ensure all parts have been enclosed.

Step 2. Place the plastic caps on the open ends of the frame pieces.

Step 3. Assemble your log rack as shown with the nuts and bolts.



ITEM	DESCRIPTION
A	END FRAME
B	SUPPORT FRAME
C	BOLT
D	NUT
E	PLASTIC CAP