

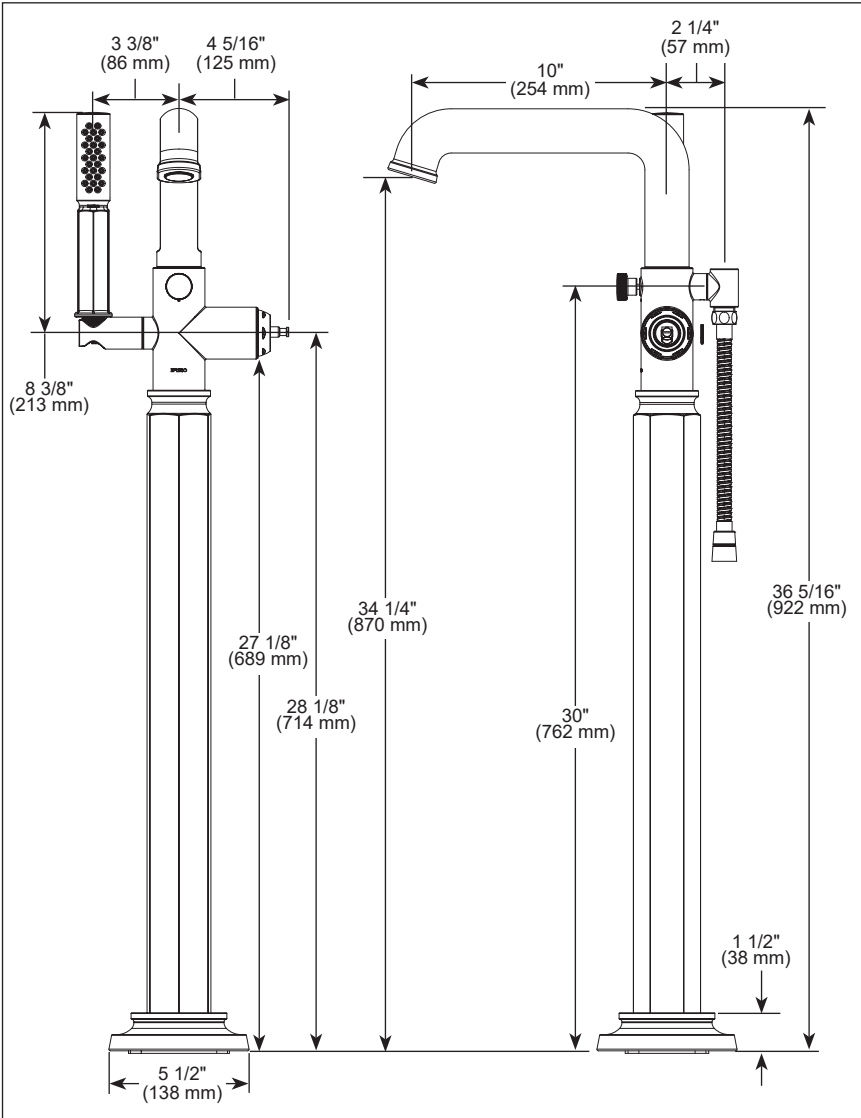
# BRIZO®

## SINGLE HANDLE FLOOR MOUNT TUB FILLER TRIM ONLY

- Invari® Collection
- Floor Mount

Submitted Model No.: \_\_\_\_\_

Specific Features: \_\_\_\_\_



### STANDARD SPECIFICATIONS:

- Maximum hand shower flow rate 1.75 gpm @ 80 psi, 6.6 L/min @ 550 kPa
- Indexing hand shower holder
- 60"-82" stretchable finished metal hose
- High flow ceramic mixing cartridge
- Spout flow up to 15.5 gpm @ 60 psi, 58.7 L/min @ 410 kPa
- Single lever handle with hot and cold indicators
- Auto resetting diverter
- Certified dual check valves in hand shower
- Single column design
- Drain not included
- Requires rough-in to complete installation:
  - R70100-WS with integrated stops
  - R70100 without stops, provides maximum flow

### WARRANTY

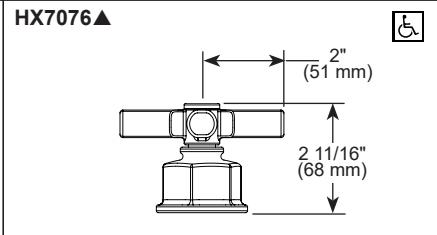
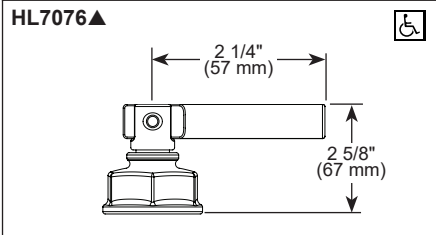
- Parts and Finish – Lifetime limited warranty; or for commercial purchasers, 10 years for multi-family residential (apartments and condominiums) and 5 years for all other commercial uses, in each case from the date of purchase.
- Electronic Parts and Batteries (if applicable) – 5 years from the date of purchase; or for commercial purchasers, 1 year from the date of purchase. No warranty is provided on batteries.

**WARNING:** Risk of personal injury. Do not use the tub filler as a grab bar or support bar. Install this product according to the installation guide.



### COMPLIES WITH:

- ASME A112.18.1 / CSA B125.1
- Indicates compliance to ICC/ANSI A117.1 - Valve control only
- EPA WaterSense® - Applies to hand shower only (RP100329\*)



▲Designate Proper Finish Suffix

Brizo Kitchen & Bath Company reserves the right (1) to make changes in specifications and materials, and (2) to change or discontinue models, both without notice or obligation. Dimensions are for reference only. See current full-line price book or [www.brizo.com](http://www.brizo.com) for finish options and product availability.

BSP-B-T70176 Rev. C

### Brizo Kitchen & Bath Company

55 E. 111th Street, Indianapolis, Indiana 46280  
350 South Edgeware Road, St. Thomas, ON N5P 4L1  
© 2022 Brizo Kitchen & Bath Company