

# BRIZO®

## TEMPASSURE® THERMOSTATIC VALVE WITH INTEGRATED DIVERTER TRIM

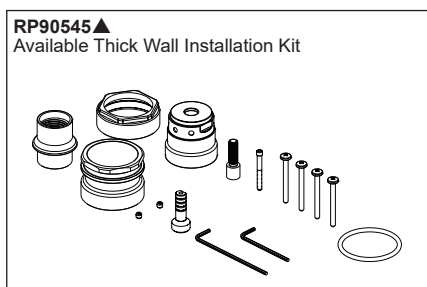
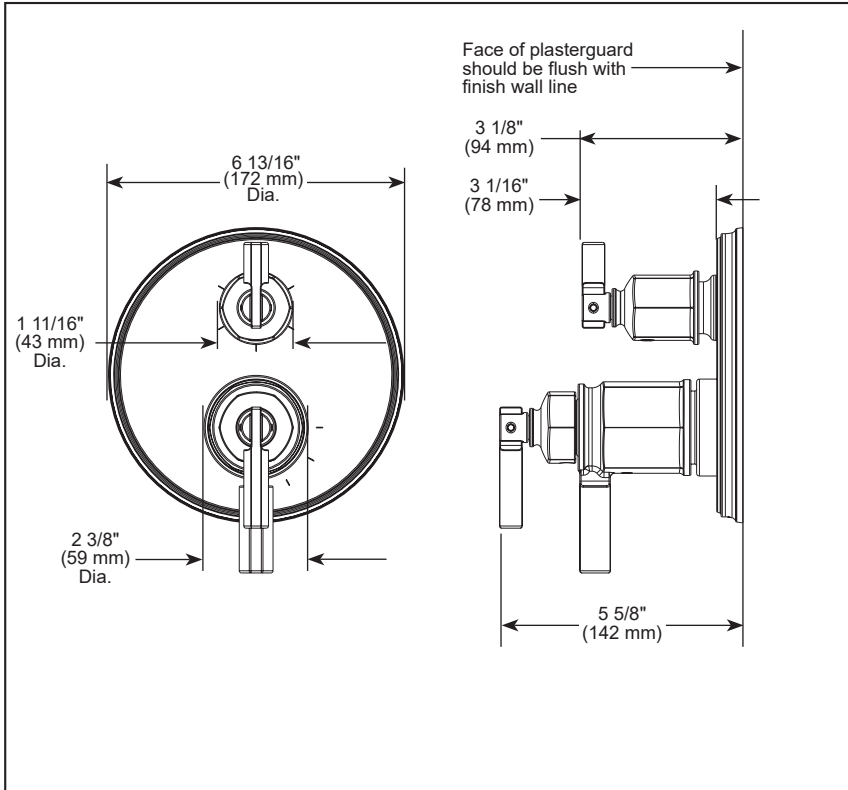
- Invari® Bath Collection
- MultiChoice® Valve Trim with Six Function Diverter

### FEATURES:

- TempAssure® thermostatic valve cartridge

### STANDARD SPECIFICATIONS:

- Main control utilizes TempAssure® thermostatic valve cartridge.
- Thermostatic wax element maintains the outlet temperature to  $\pm 3.6^\circ\text{F}$ .
- Back-to-back installation capability
- For use with MultiChoice® Universal Integrated Shower Diverter Rough (R75000 Series)
- Max. system flow rate 7.2 gpm @ 60 psi with R75000
- Top handle controls diverter functions.
- Bottom (2) handles control volume and temperature.
- Field adjustable to limit temperature handle rotation into hot water zone.
- Bottom volume handle  $90^\circ$  maximum rotation.
- Hot/cold indicator markings.
- Three function diverter has 2 individual positions and 1 shared position.
- For two individual functions, no shared functions, order additional RP72123.
- $1/2"$  rough-in.
- Cartridges included.
- Standard installation allows up to  $1 1/8"$  finished wall thickness.
- Thick wall installation kit RP90545▲ can be ordered to allow for up to  $2 1/8"$  finished wall thickness.



▲ Designate Proper Finish Suffix

### WARRANTY

- Parts and Finish - Lifetime limited warranty; or for commercial purchasers, 10 years for multi-family residential (apartments and condominiums) and 5 years for all other commercial uses, in each case from the date the product is received by the original purchaser or their authorized representative (installation contractor, etc.).
- Please go to [www.brizo.com](http://www.brizo.com) for the complete details of our limited warranty.

### COMPLIES WITH:

- ASME A112.18.1 / CSA B125.1
- ASSE 1016 / ASME A112.1016 / CSA B125.16
- ICC/ANSI A117.1