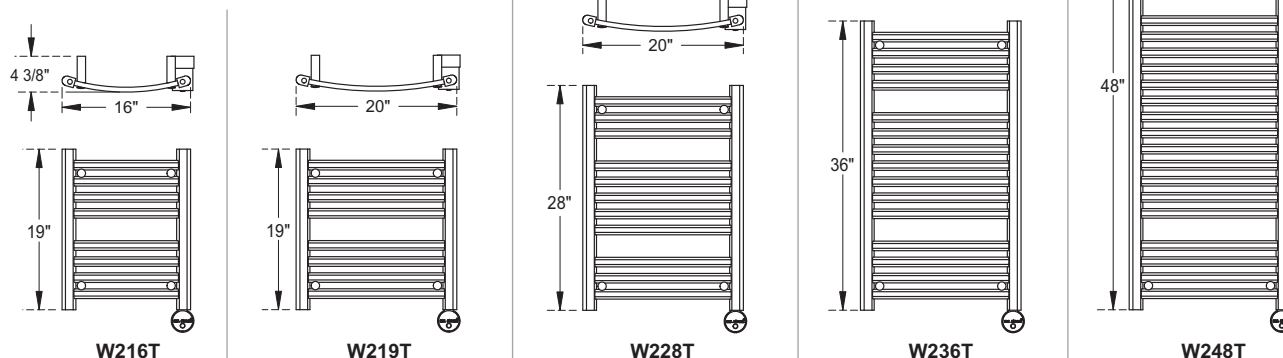


### Broadway Collection® Towel Warmers



#### Design Features:

- Quality, design and performance you expect from a Mr. Steam product
- Prices that fit even the tightest budget
- Sleek Curved lines maximize surface heating area
- Simple elegance complements any bathroom
- All models need to be hard wired to 120V
- cULus listed

#### Standard Accessories provided with all Towel Warmers:

- Digital Timer: In wall, 24-hour electronic timer for pre-start and automatic shut-off of the towel warmer at programmed times.
- Designer Finish Cover Plate: with matching finish cover plate.

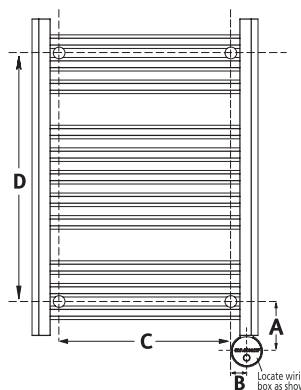
#### Optional Accessories Available:

- Robe Hook: Ideal for hanging and gently warming a robe
- Aroma Oils: Earth friendly, organic essential oils contain an alcohol-free coconut emulsifier. AromaTherapy greatly enhances the bathing experience.

#### MOUNTING DIMENSIONS (inches)

MODEL	A	B	C	D	Weight (lbs)	Watts
W216C	4 <sup>5</sup> / <sub>16</sub>	1 <sup>3</sup> / <sub>8</sub>	11	13 <sup>3</sup> / <sub>8</sub>	15	100
W219C	4 <sup>5</sup> / <sub>16</sub>	1 <sup>3</sup> / <sub>8</sub>	15	13 <sup>3</sup> / <sub>8</sub>	17	200
W228C	4 <sup>5</sup> / <sub>16</sub>	1 <sup>3</sup> / <sub>8</sub>	15	21 <sup>5</sup> / <sub>8</sub>	20	400
W236C	4 <sup>5</sup> / <sub>16</sub>	1 <sup>3</sup> / <sub>8</sub>	15	29 <sup>1</sup> / <sub>2</sub>	24	400
W248C	4 <sup>5</sup> / <sub>16</sub>	1 <sup>3</sup> / <sub>8</sub>	15	41 <sup>3</sup> / <sub>8</sub>	30	400

**NOTE:** Towel warmers have slight dimensional variations and must be measured prior to installation.



#### FOR ILLUSTRATIVE PURPOSES ONLY. IMPORTANT NOTE: FOR SAFE AND TROUBLE FREE INSTALLATION

visit [mrsteam.com](http://mrsteam.com) before installation to download the Installation, Operation and Maintenance Manual or refer to the manual provided with the unit.

MODEL	FINISH	PROJECT INFORMATION	
<input type="checkbox"/> W216T	<input type="checkbox"/> Polished Chrome	Location:	Contractor:
<input type="checkbox"/> W219T	<input type="checkbox"/> Brushed Bronze	Architect:	Submitted By:
<input type="checkbox"/> W228T	<input type="checkbox"/> Brushed Nickel	Engineer:	Date:
<input type="checkbox"/> W236T	<input type="checkbox"/> Matte Black		
<input type="checkbox"/> W248T			
Notes:			