

Saybrook™

Filtered Kitchen Faucet

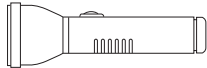
Thank you for selecting American Standard...
the benchmark of fine quality for over 140 years.

To ensure that your installation proceeds smoothly-please read
these instructions carefully before you begin.

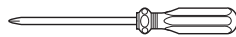


Certified to comply with ANSI A112.18.1M

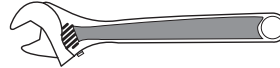
RECOMMENDED TOOLS



Flashlight



Phillips Screwdriver



Adjustable Wrench



Safety Glasses

1 INSTALL FAUCET WITH OR WITHOUT DECK ESCUTCHEON

CAUTION Turn off water at main supply

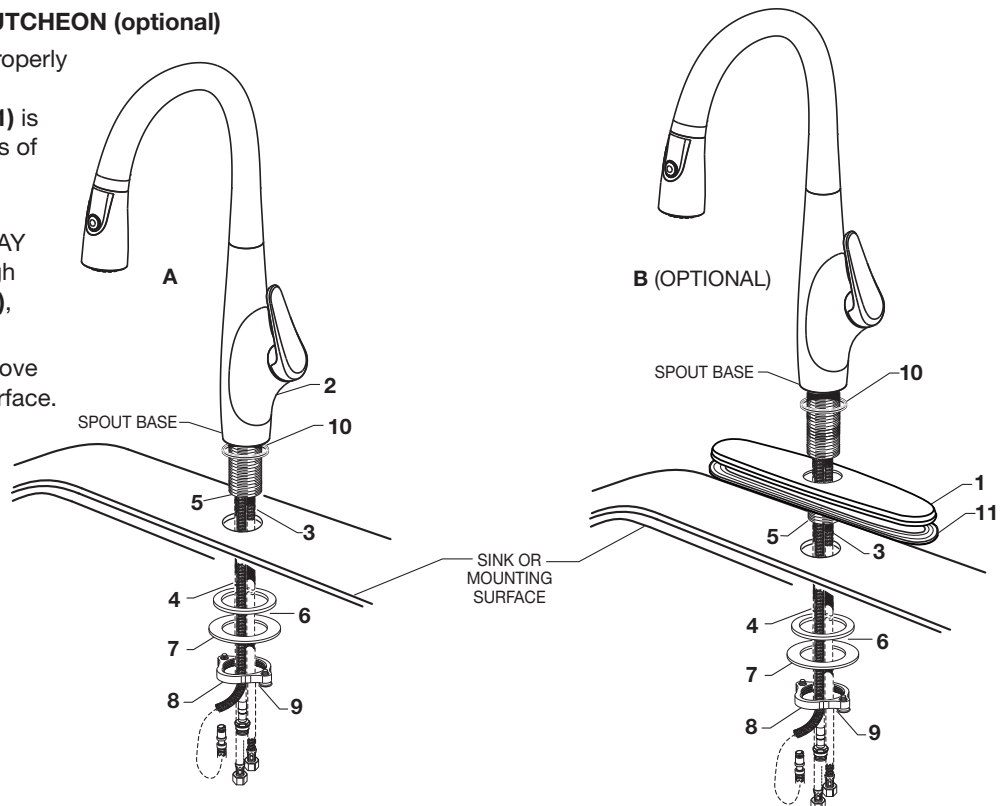
NOTE: There are several different options to choose from on page 2. Pick according to your countertop hole configuration and whether or not the filter will be above or below the countertop.

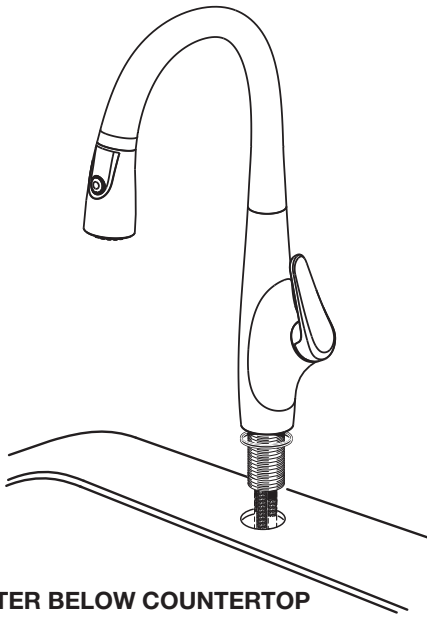
(A) Installation without DECK ESCUTCHEON

- Make certain the SEAL (10) is properly seated in bottom recess of the SPOUT (2). Insert supply HOSES (3), SPRAY HOSE (4) and SHANK (5) through mounting hole and seat SPOUT BASE onto sink or mounting surface. **Do not use putty.**
- Insert HOSES (3) through RUBBER WASHER (6), BRASS WASHER (7), and threaded LOCKNUT (8) under sink or mounting surface.
- Assemble RUBBER WASHER (6), BRASS WASHER (7), and threaded LOCKNUT (8) onto SHANK (5) from underside of sink or mounting surface. Hand tighten LOCKNUT (8).
- Use a screwdriver to tighten SCREWS (9) on LOCKNUT (8). Work your way around LOCKNUT (8), tightening the screws slightly each time until all are snug to ensure even pressure.

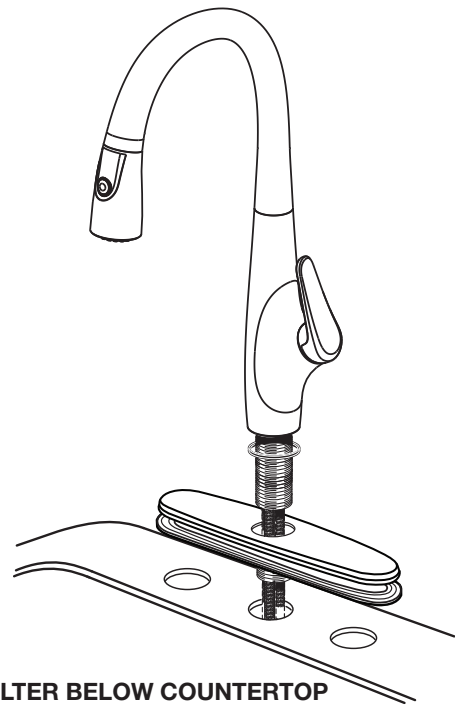
(B) Installation with DECK ESCUTCHEON (optional)

- Make certain the SEAL (10) is properly seated in top recess of DECK ESCUTCHEON (1) and SEAL (11) is properly seated in bottom recess of DECK ESCUTCHEON (1). **Do not use putty.**
- Insert SUPPLY HOSES (3), SPRAY HOSE (4) and SHANK (5) through hole of DECK ESCUTCHEON (1), and mounting surface.
- Follow mounting instructions above to secure faucet to mounting surface.

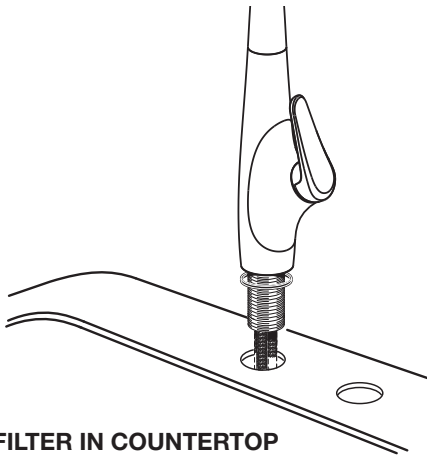




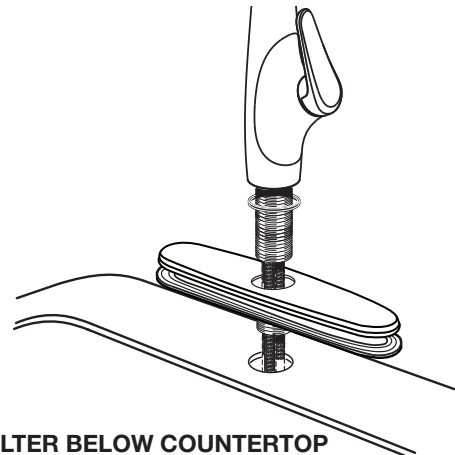
FILTER BELOW COUNTERTOP



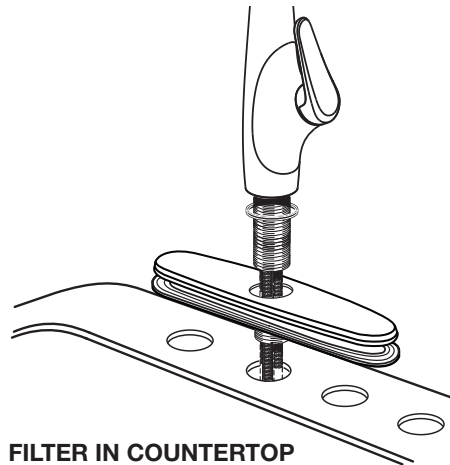
FILTER BELOW COUNTERTOP



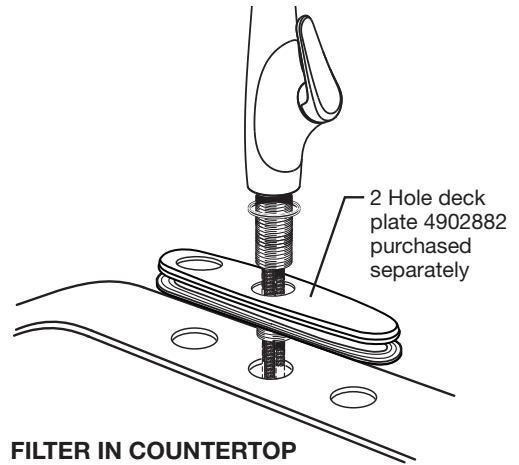
FILTER IN COUNTERTOP



FILTER BELOW COUNTERTOP



FILTER IN COUNTERTOP



FILTER IN COUNTERTOP

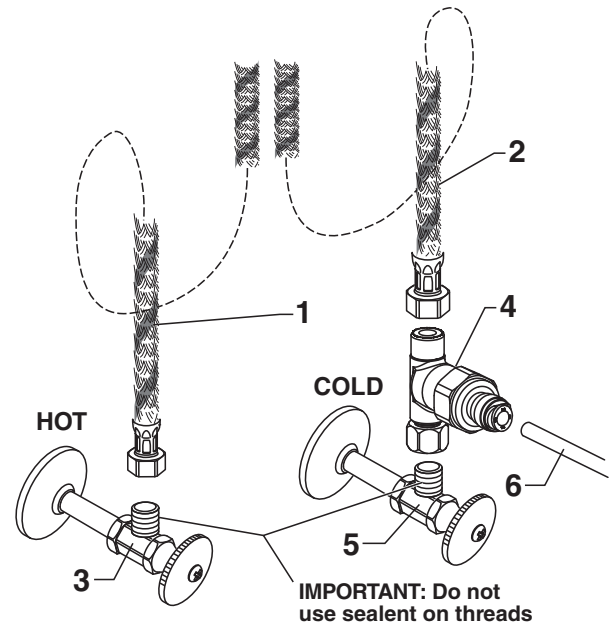
2 MAKE WATER SUPPLY CONNECTIONS

- Turn off hot and cold water supplies.
- Thread RED SUPPLY HOSE (1) onto HOT WATER SUPPLY (3).
- Thread BLUE SUPPLY HOSE (2) onto T-CONNECTOR (4).
- Thread T-CONNECTOR (4) onto COLD WATER SUPPLY (5).
- Firmly push the BLUE HOSE (6) in to END CAP (4).

Note: If additional supply length is required, installer must purchase additional parts separately.

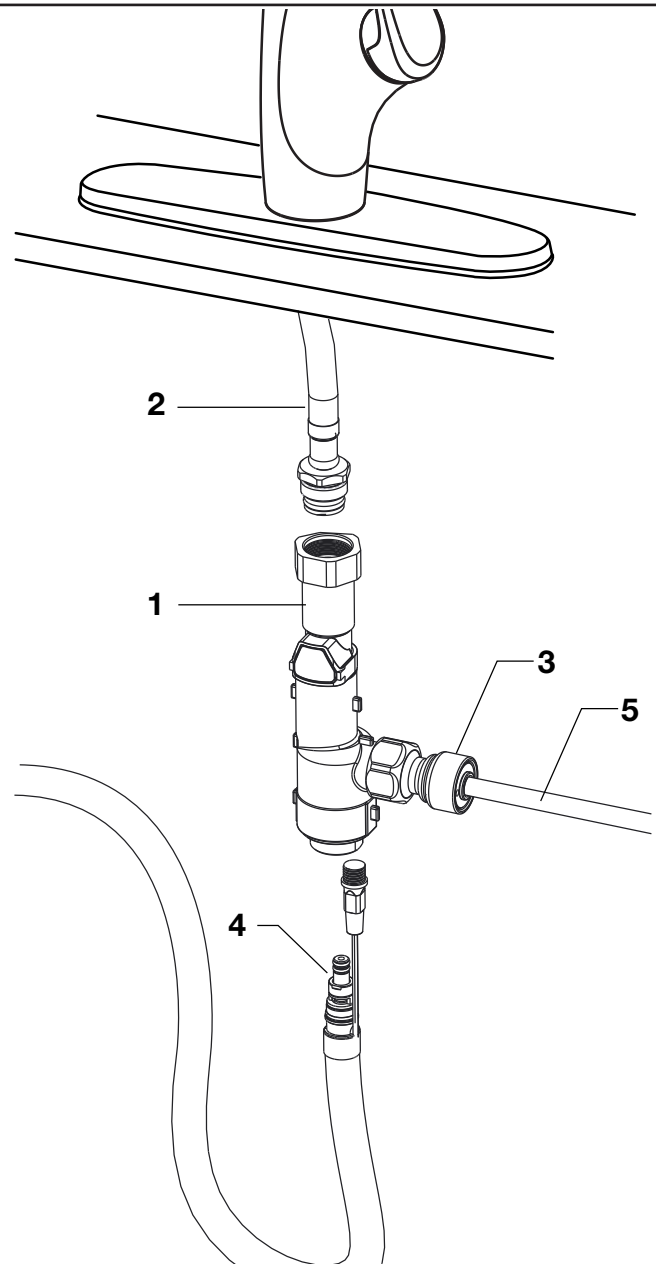
Note: If SUPPLY HOSES (1, 2) are too long, loop as illustrated to avoid kinking.

Note: Connection on fitting supplies are 3/8" compression.



3 FILTER OUTPUT CONNECTION

- Thread hose T-CONNECTOR (1) onto HOSE (2).
- Thread hose T-CONNECTOR (1) onto HOSE (4).
- Firmly push the WHITE HOSE (5) into hose END CAP (3).

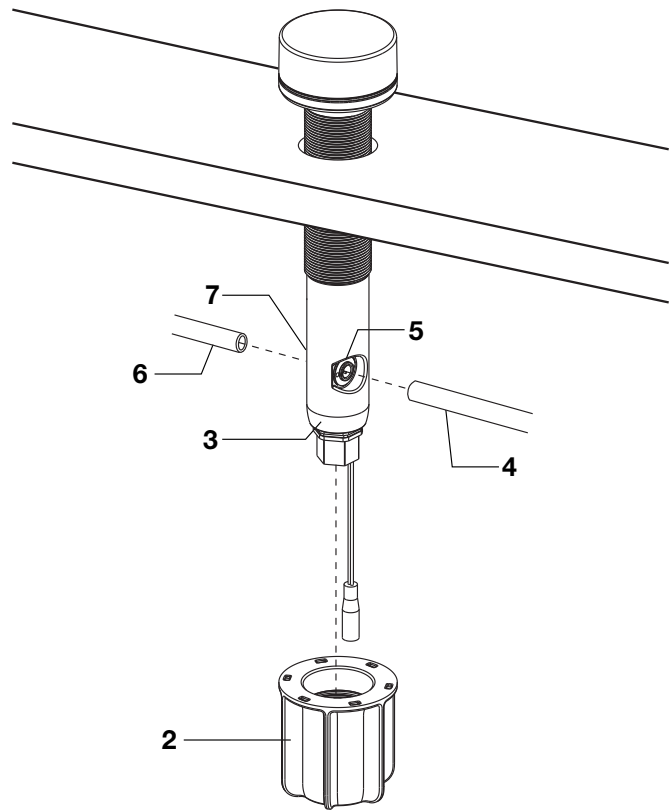


4 FILTER INSTALLATION

INSTALL FILTER ON COUNTERTOP

- Insert FILTER (3) through mounting hole in countertop.
- Hand tighten MOUNTING NUT (2) to secure FILTER (3).
- Firmly push the WHITE HOSE (4) into PORT (5) labelled "CONNECT TO FAUCET".
- Firmly push the BLUE HOSE (6) into PORT (7) labelled "CONNECT TO FILTER".

NOTE: To remove plastic hose firmly push in the white or blue collar at HOSE PORT (5) and pull the hose out.

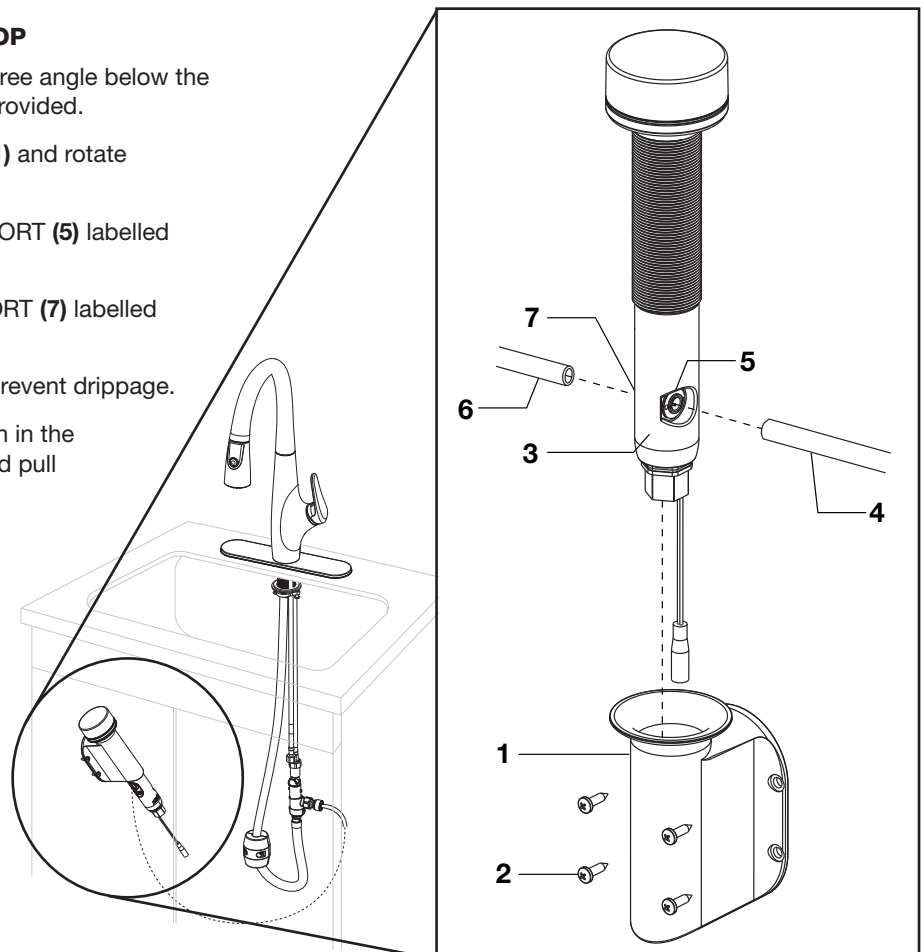


INSTALL FILTER BELOW COUNTERTOP

- Secure FILTER SLEEVE (1) at a 45° degree angle below the countertop with the four SCREWS (2) provided.
- Insert FILTER (3) into FILTER SLEEVE (1) and rotate clockwise until tight.
- Firmly push the WHITE HOSE (4) into PORT (5) labelled "CONNECT TO FAUCET".
- Firmly push the BLUE HOSE (6) into PORT (7) labelled "CONNECT TO FILTER".

NOTE: Installing at a 45° angle helps to prevent drippage.

NOTE: To remove plastic hose firmly push in the white or blue collar at HOSE PORT (5) and pull the hose out.



5 BATTERY PACK CONNECTIONS

- Install BATTERY PACK (1) below the countertop with velcro on the back of BATTERY PACK (1). The BATTERY PACK (1) should be close to the faucet and filter so that the wired connections can be made.

OPTIONAL: Instead of Velcro the battery pack can be hung from a nail or hook from LOOP (7).

- Connect FEMALE WIRE (2) to BATTERY PACK (1) as illustrated by a dashed line.

NOTE: Secure this connection by installing inside the CONNECTORS HOUSING (8) as shown.

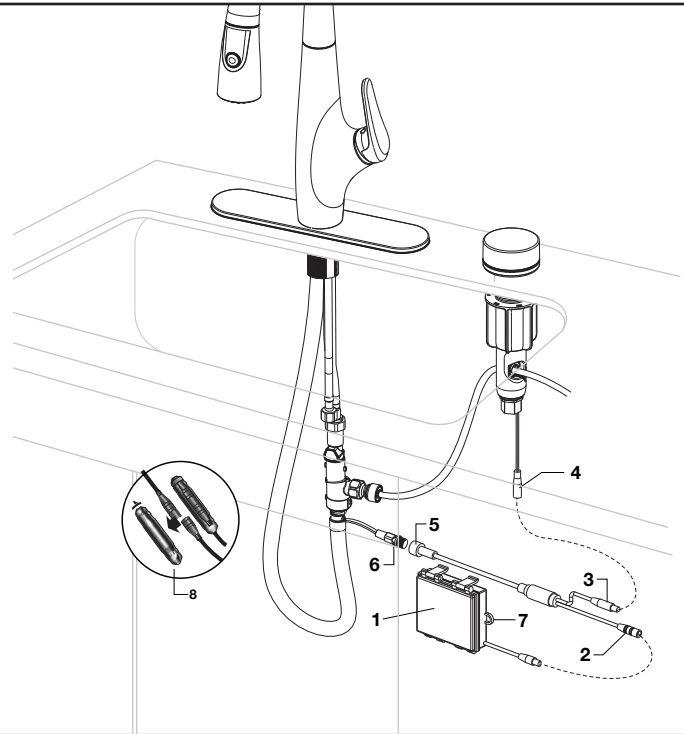
- Connect MALE WIRE (3) to FILTER (4) as illustrated by a dashed line.

NOTE: Secure this connection by installing inside the CONNECTORS HOUSING (8) as shown.

- Connect THREADED WIRE (5) to FAUCET WIRE (6) as illustrated by a dashed line.

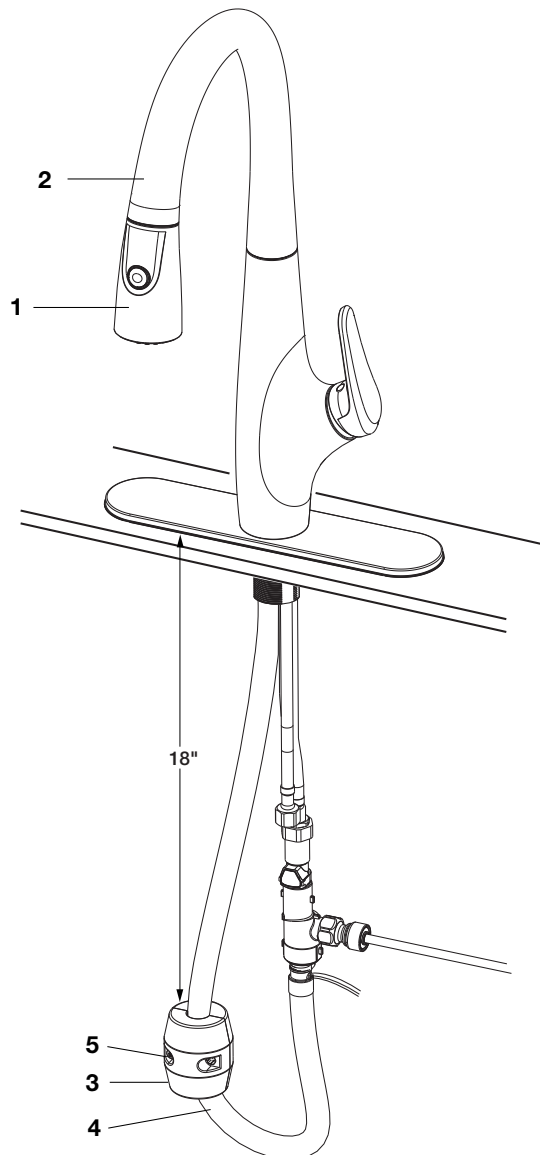
- Insert batteries into battery pack.

- Two cable ties are provided for cable management.



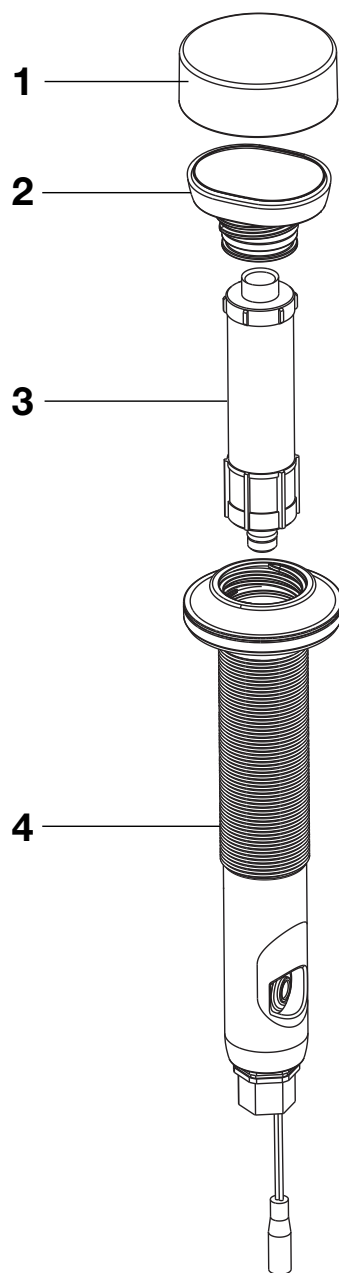
6 INSTALL PULL-DOWN HOSE WEIGHT

- With HAND SPRAY (1) seated in SPOUT (2), install WEIGHT (3) onto HOSE (4) 18" below the countertop, secure with SCREW (5).



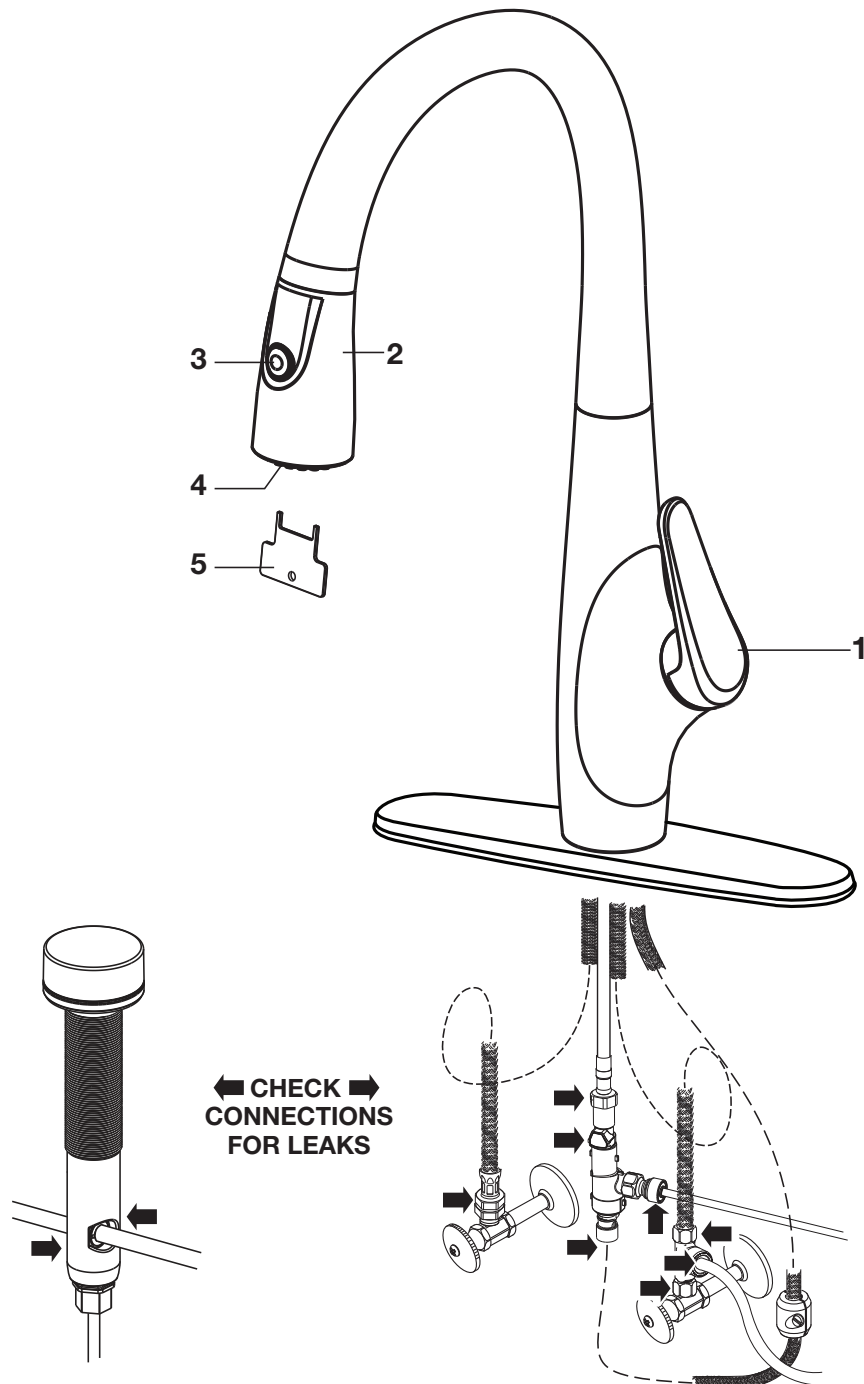
7**FILTER INSTALLATION**

- Remove FILTER COVER (1) by pulling up.
- Unthread FILTER CAP (2) from FILTER HOUSING (4).
- Insert FILTER (3) into FILTER HOUSING (4).
- Thread FILTER CAP (2) onto FILTER HOUSING (4).
- Push FILTER COVER (1) onto FILTER CAP (2).



8 PREPARE FAUCET & CHECK CONNECTIONS FOR LEAKS

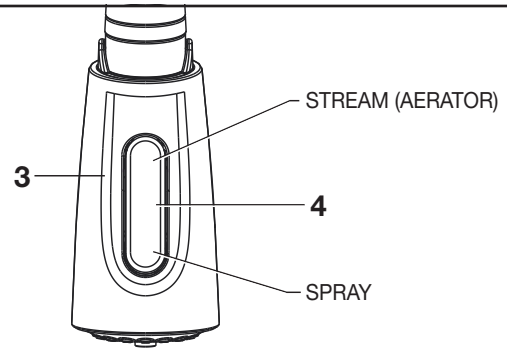
- Move HANDLE (1) into “off” position.
- Turn on water supplies and check connections for leaks. ➡
- With HANDLE (1) in “off” position, unthread AERATOR (4) from SPRAY HEAD (2) with AERATOR KEY (5).
- Operate HANDLE (1) up and down, left and right to flush water lines thoroughly.
- Thread AERATOR (4) onto SPRAYHEAD (2) with AERATOR KEY (5).
- Press and hold the FILTER ACTIVATION BUTTON (3) for approximately 5 seconds. The filter will run for 1 minute. Check connections for leaks. ➡
- This concludes the installation of your filtration faucet.



OPERATIONAL GUIDE

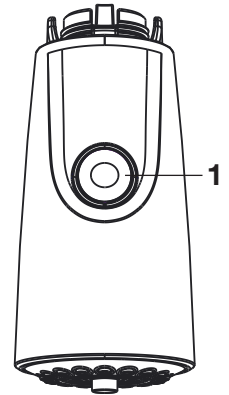
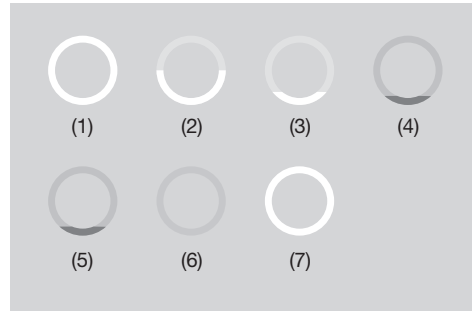
SPRAY OPERATION

- With FAUCET on, press TOGGLE BUTTON (4) on SPRAY (3) to switch from stream to spray.



BATTERY AND FILTER LIFE INDICATORS

- FILTER BUTTON (1) illuminates indicating filter and battery life as detailed below:
 - Filter full (WHITE LED) (1)
 - Filter half full (WHITE LED) (2)
 - Filter low 1/4 full (WHITE LED) (3)
 - Filter very low (RED LED) (4)
 - Filter empty (PULSING RED LED) (5)
 - Battery low (YELLOW LED) (6)
 - Filter counter Reset/Flush (PULSING WHITE LED) (7)

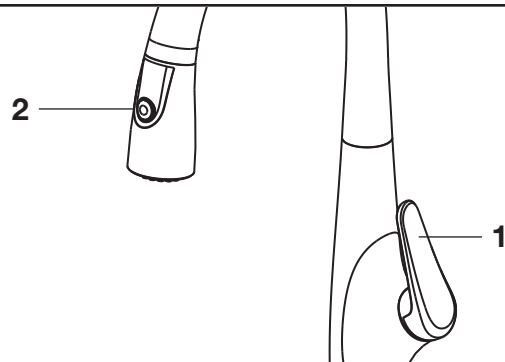


Note: To replace filter refer to Maintenance & Service section of this manual.

Note: Filter life is 300 gallons.

FILTER AND BATTERY OPERATION

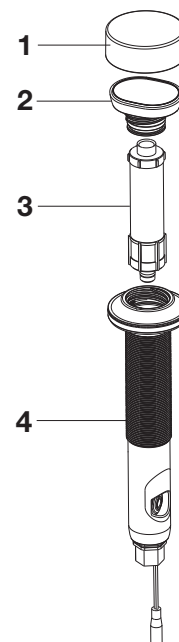
- Position HANDLE (1) in the off position.
- Press BUTTON (2) to activate filter.
- Press BUTTON (2) to deactivate filter.



NOTE: The filter button is a toggle and therefore does not need to be held down during operation.

REPLACE FILTER

- Ensure no water is flowing from filter.
- Remove FILTER COVER (1) by pulling up.
- Unthread FILTER CAP (2) from FILTER HOUSING (4). Residual water may be present.
- Replace FILTER (3). The orientation of the filter is important.
- Thread FILTER CAP (2) onto FILTER HOUSING (4).
- Push FILTER COVER (1) onto FILTER CAP (2).
- Press and hold the filter activation button for 5 seconds to reset filter count. The filter will run for 1 minute.



MAINTENANCE & SERVICE

FAUCET DRIPS

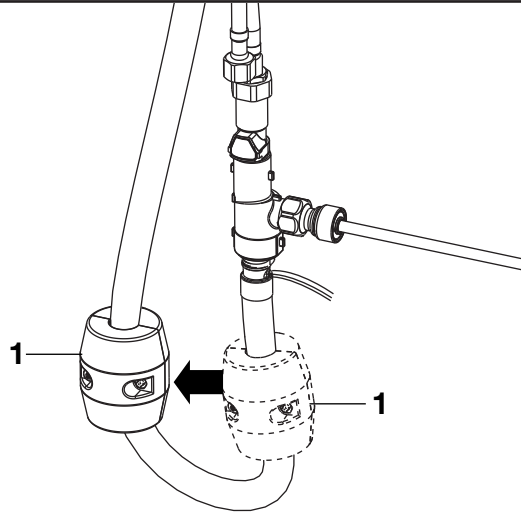
- Turn VALVE to OFF position.
- Operate HANDLE several times from OFF to ON position. Do not apply excessive force.
- If drips persist call customer service **1 (800) 442-1902**.

LOW FLOW RATE

- Remove aerator and flush faucet.
-
- Turn off hot water supply.
 - Unthread water supply hose.
 - Check supply pipe and supply hose for debris.
 - If low flow persist call customer service.

PULLDOWN HOSE NOT RETRACTING

- Check under countertop to see if the hose is getting snagged.
- Check that the WEIGHT **(1)** is on the correct side of the hose loop.



- Water Filtering System Specifications
 - Rated Service Life of 300 gallons (1136 L)
 - Pressure: 20 – 125 psi (0.7 – 8.6 bar)
 - Temperature: 35 - 95°F (2 - 35°C)
 - Flow Rate: 0.65 gpm (2.46 L/min)
- The system and installation shall comply with applicable state and local regulations.
- System tested and certified by NSF International against NSF/ANSI Standard 42 for the reduction of chlorine, taste and odor, Particulate Class I, and against NSF/ANSI Standard 53 for the reduction of lead.
- Do not use with water that is microbiologically unsafe or of unknown quality without adequate disinfection before or after the system.
- **Important Notice:** Read the Manufacturer's Performance Data Sheet.
- **NOTE:** Use only F50 Filter Cartridge with the Saybrook Filtered Kitchen Faucet – Purchased from americanstandard-us.com
- Water Filter System to be supplied with Cold Water Only.



System tested and certified by NSF International against NSF/ANSI Standard 42 for the reduction of Chlorine, Taste and Odor, Particulate Class I, and against NSF/ANSI Standard 53 for the reduction of Lead, and against CSA B463.1.

CLEANING:

- Clean with clear water, dry with a soft cotton flannel cloth,
- NOTE:** Do not clean the product with acid, polish, abrasives, harsh cleaners, or a cloth with a coarse surface.