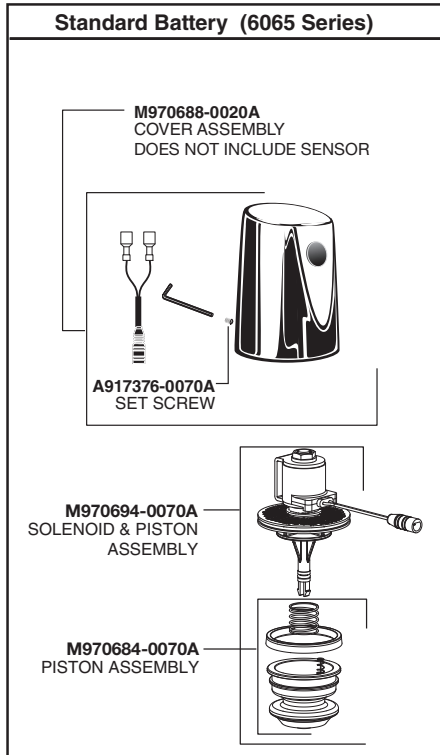
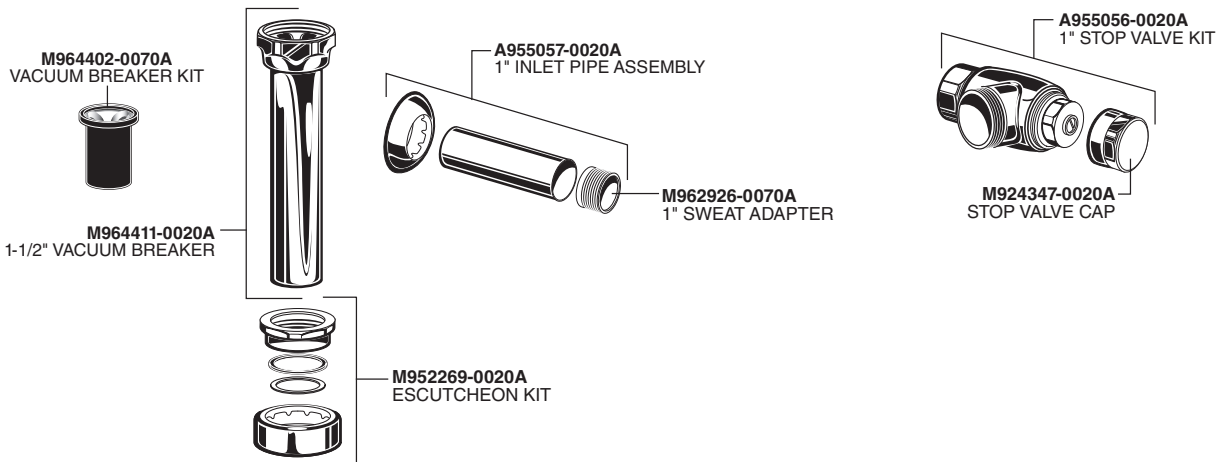
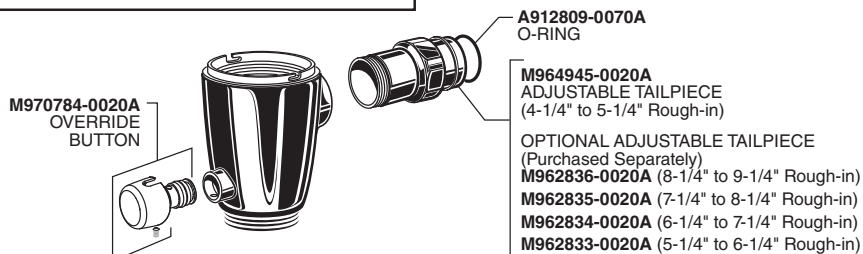
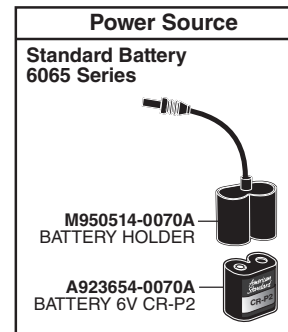


PARTS

Ultima™ Selectronic® Battery Powered Toilet Flush Valve, Piston-Type – 6065100 / 6065111 / 6065121 / 6065161 / 6065721 / 6065761



- M970682-0071000
SENSOR ASSEMBLY (1.0 gpf)
- M970682-0071100A
SENSOR ASSEMBLY (1.1 gpf)
- M970682-0071280A
SENSOR ASSEMBLY (1.28 gpf)
- M970682-0071600A
SENSOR ASSEMBLY (1.6 gpf)
- M970682-0075000A
SENSOR ASSEMBLY
(1.28/1.1 gpf)
- M970682-0074000A
SENSOR ASSEMBLY
(1.6/1.1 gpf)



RP_6065XXX EN 4/24

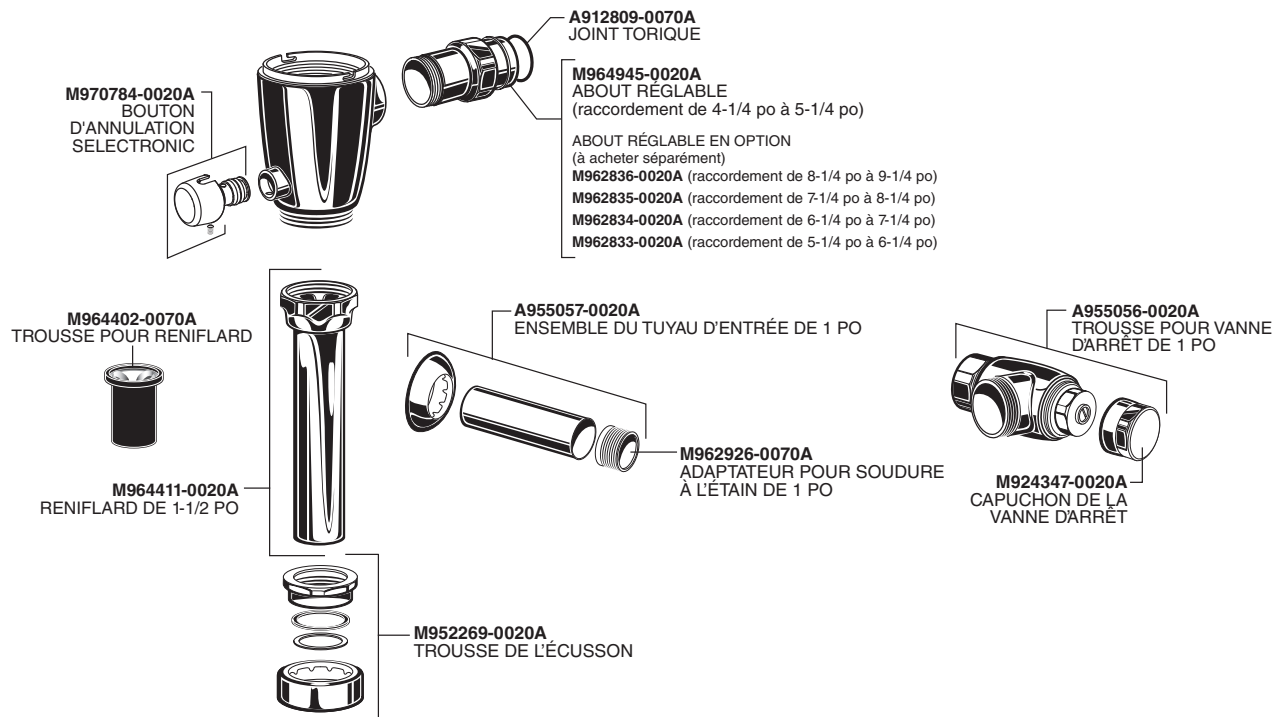
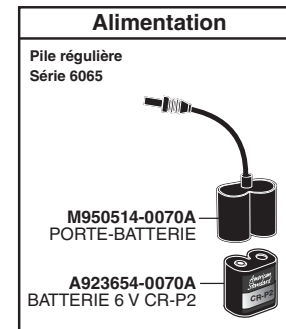
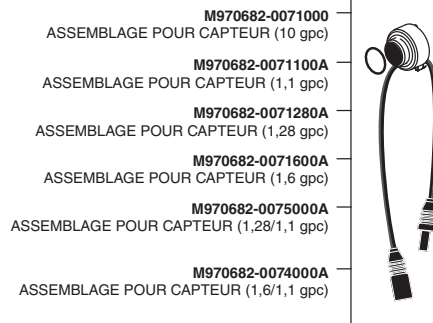
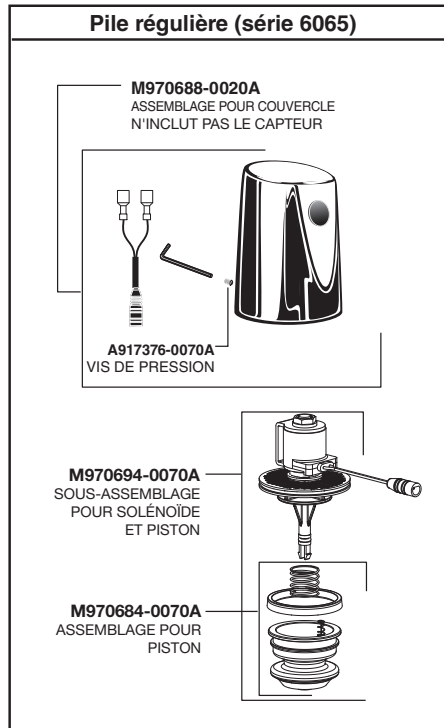
Product names listed herein are trademarks of AS America, Inc. © AS America, Inc. 2024

PART OF **LIXIL**

American Standard

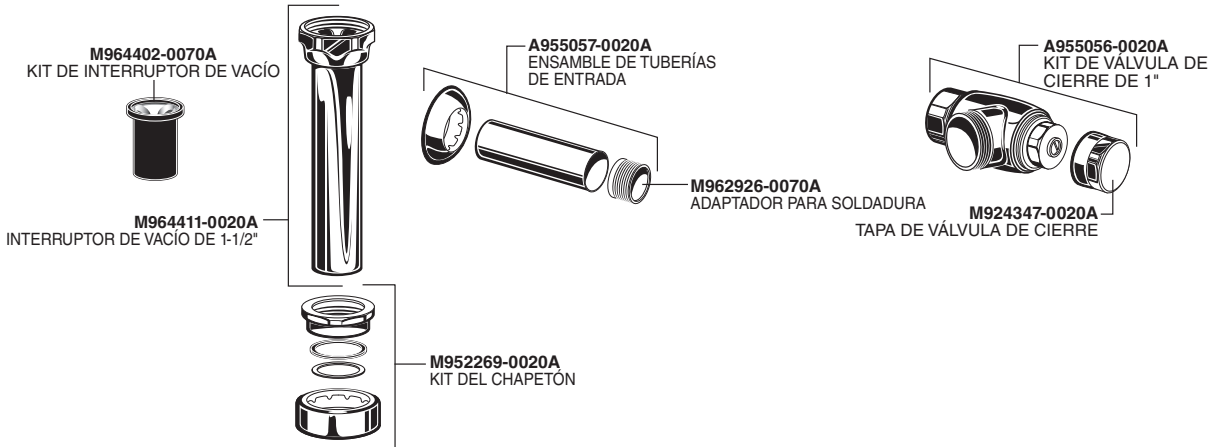
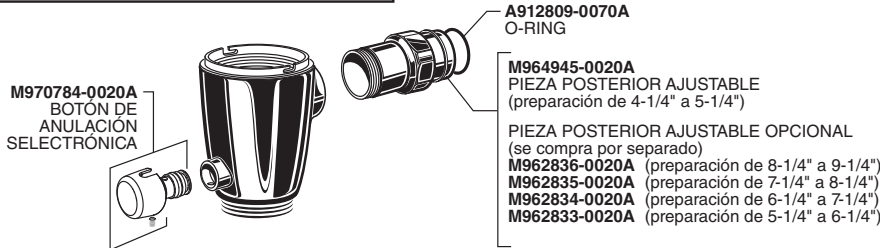
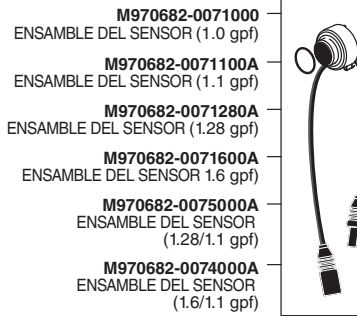
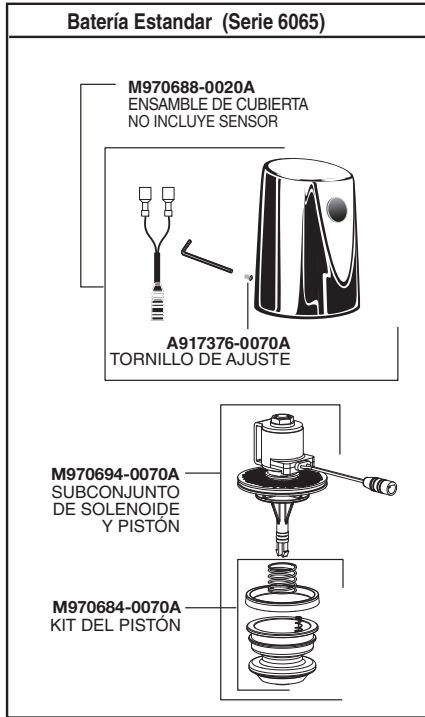
PIÈCES

Ultima,^{MC} Selectronic^{MD} à pile robinet de chasse de toilette, à piston – 6065100 / 6065111 / 6065121 / 6065161 / 6065721 / 6065761



PIEZAS

Ultima™ Con baterías Selectronic® Válvula de descarga del inodoro, pistón – 6065100 / 6065111 / 6065121 / 6065161 / 6065721 / 6065761



RP_6065XXX SP 4/24

Los nombres de producto mencionados en este documento son marcas de comercio de AS America, Inc. © AS America, Inc. 2024

PART OF LIXIL

American Standard