

# BECAUSE PEOPLE HAPPEN

## Thank you for buying American Standard products.

We're so grateful you did, and you will be too. Because let's face it, fans get rowdy; shoppers and travelers are impatient; and schoolchildren are, well, unpredictable. How do we know? For almost 150 years we've gotten to know the high-traffic bathroom better than anyone else out there. We understand that even the most talented plumbers have no control over what happens day in and day out, and that our toilets, urinals, sinks and faucets need to stand up to whatever comes their way.

That's why we appreciate your stories and ideas; they help us innovate with products that make your life easier.

### NOTE TO INSTALLER: Please give this manual to the customer after installation.

To learn more about American Standard Selectronic® Products visit our website at: [www.americanstandard-us.com](http://www.americanstandard-us.com) or e-mail us at: [sensor@lixil.com](mailto:sensor@lixil.com)

**For Parts, Service, Warranty or other Assistance,**  
please call (844) CRT-TEAM / (844) 278-8326 (In Canada: 1-800-387-0369)  
(In Toronto Area only: 1-905-306-1093)



Or, visit [americanstandard-us.com/bathroom](http://americanstandard-us.com/bathroom) to watch video, view/download installation manuals or learn more about your product.

## Have a question or need help on install?

For questions or help on installation call us at **855-815-0004**.

M985136 SKU# 6245XXX/6247XXX EN (1/22)

*American Standard*

# OWNERS MANUAL

## Diaphragm Flushometer, Exposed DC Urinal/Toilet 6245XXX / 6247XXX

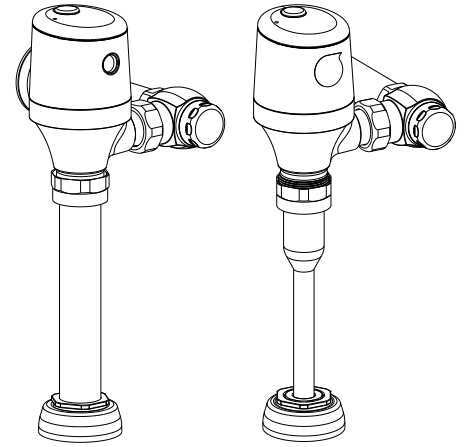
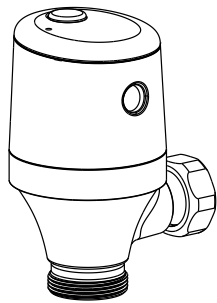


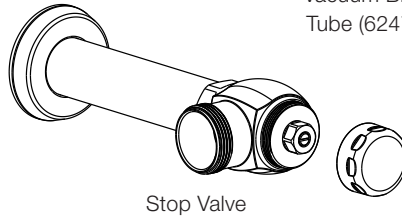
Image shown may vary from product purchased.

### INSIDE THE BOX

Installation steps will indicate which tools should be used with associated letter

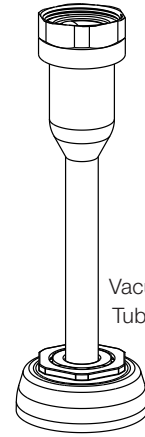
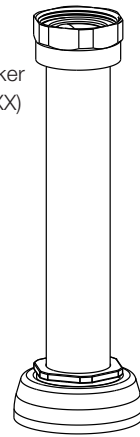


Flush Valve



Stop Valve

Vacuum Breaker Tube (6247XXX)



Vacuum Breaker Tube (6247XXX)

### RECOMMENDED TOOLS

Installation steps will indicate which tools should be used with associated letter



Teflon Tape

**A**



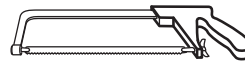
Flat Blade Screwdriver

**B**



Adjustable Wrench

**C**



Hacksaw

**D**



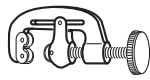
Rubber Wrench

**J**



Tape Measure

**E**



Tubing Cutter

**F**



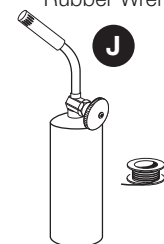
File

**G**



2.5 & 1.5 mm Hex Wrench

**H**



Solder & Torch

**I**



#### Exposed Toilet/Urinal Flushometer

**CAUTION:** Use only American Standard supplied transformers and cable sets. Using non-AS supplied cables, or cutting, splicing or modifying any components will void the warranty.

**Product to be used with WaterSense Certified Fixture with the same rated flush volume.**

## PRIOR TO INSTALLATION

**Note:** *Prior to installing the Selectronic™ Flush Valve the following items must be installed.*

1. Urinal/Toilet
2. Drain line
3. Water supply line

### **IMPORTANT:**

- **All plumbing and electrical wiring should be installed in accordance with applicable codes and regulations.**
- The use of water hammer arrestors is strongly recommended for commercial applications. All piping behind the walls should be properly secured and fastened.
- Water supply lines must be sized to provide an adequate volume of water for each fixture.
- Flush all water lines prior to operation. Dirt and debris can cause flush valve to run continuously.
- **With the exception of Stop Valve Inlet, DO NOT use pipe sealant or plumbing grease on any valve component or coupling!**
- Protect the chrome or special finish on the Flushometer. DO NOT USE toothed tools on finished surfaces to install or service these valves. Also see “Care and Cleaning” section of this manual.
- This product contains mechanical and/or electrical components that are subject to normal wear. These components should be checked on a regular basis and replaced as needed to maintain the valve’s performance.

**Consult fixture manufacturer for minimum pressure requirements. Most High Efficiency water closets require a minimum flowing pressure of 25 psi (172 kPa). Many building codes and the ASME A112.19.2 fixture standard list Maximum static water pressure as 80 PSI (552 kPa).**

# FLUSH VALVE INSTALLATION

1

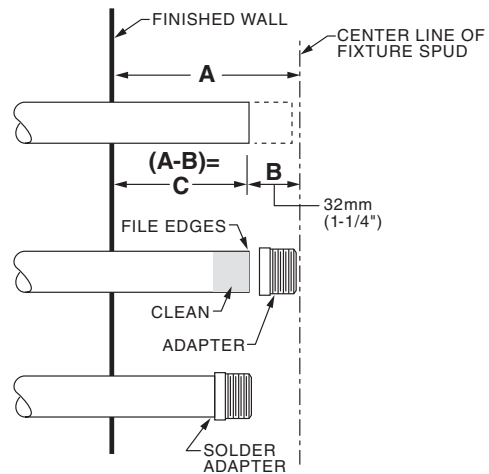
## INSTALL SWEAT ADAPTER



**Turn off hot and cold water supplies before beginning.**

**Note: Install Optional Sweat Adapter (Supplied) for copper pipe supply line.**

1. Measure the distance (A) from the finished wall to the center of the inlet spud on the fixture.
2. Cut the supply pipe 1-1/4" (A-B=C) shorter than the measurement taken in Step 1. File any rough edges off the end of the supply pipe.
3. Clean the end of the supply pipe. Push the threaded Adapter until it is seated against the internal stop. Sweat the Adapter to the pipe.



**F G I D E**

2

## INSTALL COVER TUBE, WALL ESCUTCHEON AND STOP VALVE

1. Measure from finished wall to first thread of Adapter or threaded supply pipe (dimension "X"). Cut COVER TUBE (1) to length (X). Apply Teflon Tape to the threaded end of the Adapter or supply pipe.
2. Push WALL ESCUTCHEON (2) onto the COVER TUBE (1). Slide both onto the SUPPLY PIPE (3).
3. Push the COVER TUBE (1) in to expose the threads of the supply pipe. With a wrench thread the STOP VALVE (4) onto the SUPPLY PIPE (3). Align and tighten.
4. Pull COVER TUBE (1) against STOP VALVE (4) and push WALL ESCUTCHEON (2) against finished wall.

Fig. 4a

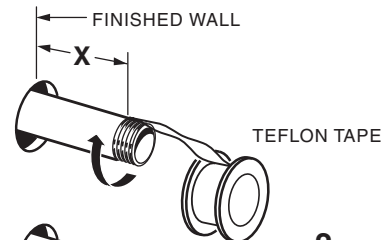


Fig. 4b

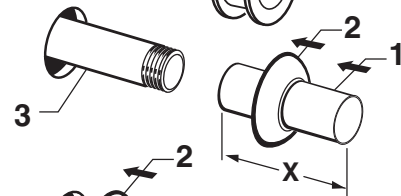
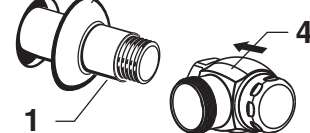


Fig. 4c



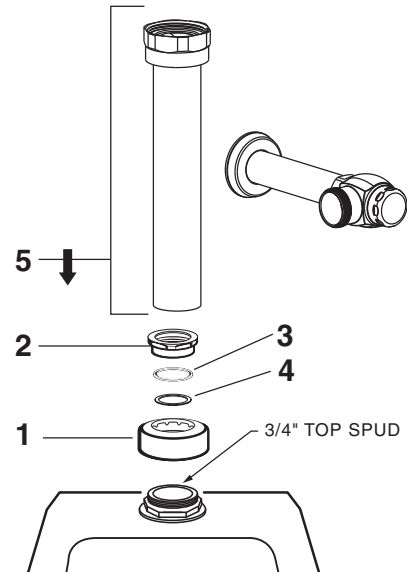
**A C D F**

### 3

#### INSTALL VACUUM BREAKER TUBE

1. Place the SPUD FLANGE (1) over the spud on the Fixture.
2. Place FRICTION WASHER (3) and SEAL WASHER (4) inside SPUD COUPLING NUT (2) and thread onto Spud. Do not tighten fully.
3. Insert the VACUUM BREAKER TUBE (5) into the SPUD COUPLING NUT (2) and push it down.

**Note: If cutting VACUUM BREAKER TUBE (5) to size, note that Critical Line (C/L) on Vacuum Breaker must typically be 6" (152mm) above fixture. Consult Code for details.**

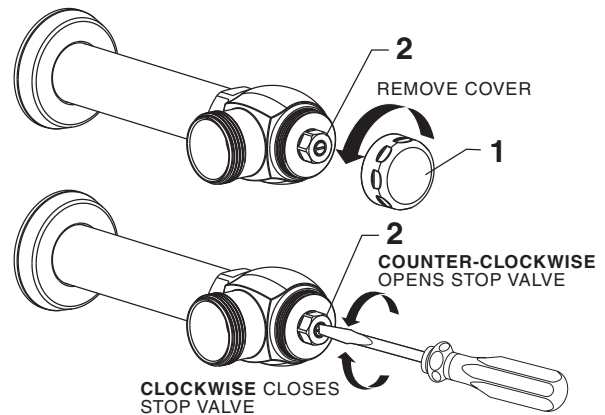


C

### 4

#### FLUSH OUT SUPPLY LINES

1. Remove STOP VALVE COVER (1) from STOP VALVE (2).
2. Open STOP VALVE (2) with a flat blade screwdriver.
3. Turn on water supply to flush line of any debris or sediment.
4. Close STOP VALVE (2) and replace STOP VALVE COVER (1).



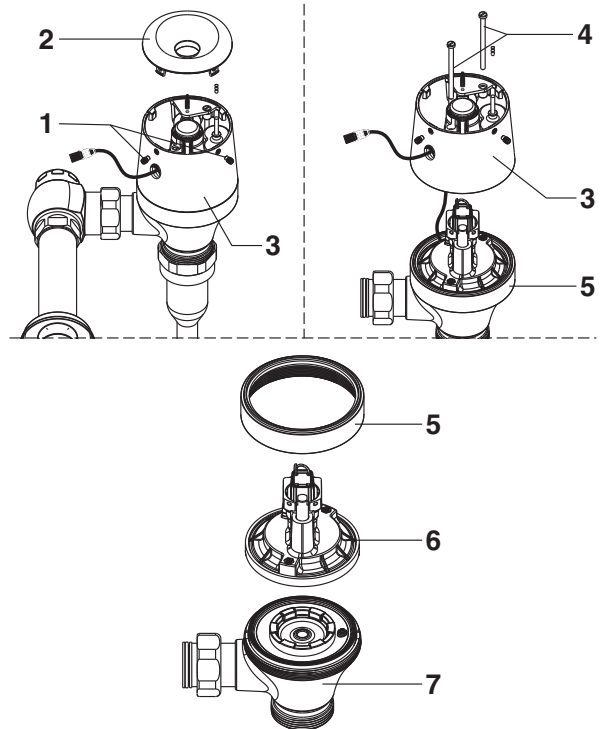
B

## 5

### LEFT OR RIGHT HAND INSTALLATION

The unit is shipped with adjustable tailpiece on the right side. If needed, the orientation can be modified by following the steps below.

1. Unthread the two SET SCREWS (1).
2. Use a flathead screwdriver to pry CAP (2) off the BODY SHELL (3).
3. Disconnect the battery wire coupling and solenoid wire coupling.
4. Unthread the two SCREWS (4).
5. Lift BODY SHELL (3) off the BODY RING (5).
6. Unthread BODY RING (5).
7. Remove MANIFOLD (6).
8. Rotate BODY (7) 180 degrees and reverse the above steps to complete the Right/Left swap.



**B H J**

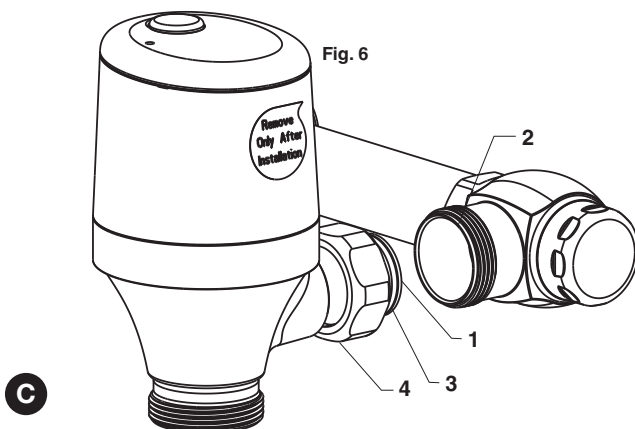
## 6

### INSTALL FLUSH VALVE

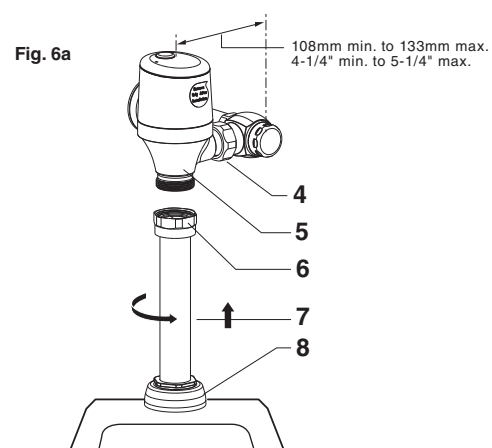
1. Insert ADJUSTABLE TAILPIECE (1) into the STOP VALVE (2). Lubricate the O-RING (3) with water if necessary. Lightly tighten COUPLING NUT (4). **Fig. 6.**

**Important: Do not use lubricants (other than water) or any type of thread sealing paste or tape.**

2. Align the FLUSH VALVE BODY (5) directly above the VACUUM BREAKER TUBE (7) and VACUUM BREAKER COUPLING NUT (6). **Fig. 6a.**
3. Pull the VACUUM BREAKER TUBE (7) up to meet the threaded FLUSH VALVE BODY (5), hand tighten the VACUUM BREAKER COUPLING NUT (6). Align all components of the flush valve assembly. **Fig. 6a.**
4. Lightly tighten the COUPLING NUT (4) connection first, then the VACUUM BREAKER COUPLING NUT (6) and finally the SPUD COUPLING NUT (8). Once alligned correctly, use a wrench to tighten couplings to make water tight connections. **Fig. 6a.**



**C**



# MAINTENANCE

1

## ADJUST STOP VALVE

**IMPORTANT: TO AVOID OVERFLOWING, THE STOP VALVE (3) MUST NEVER BE OPENED TO THE POINT WHERE THE FLOW FROM THE VALVE EXCEEDS THE FLOW CAPACITY OF THE FIXTURE.**

1. After installation is complete, peel off the PROTECTIVE FILM (1) from the sensor. Standing to one side, block the sensor with your hand for 10 seconds. Remove your hand and listen for audible "click" from within the valve.
2. Remove STOP VALVE COVER (2) from STOP VALVE (3). Turn on water supply 1/4 turn to 1/2 turn (CCW) and test for leaks.

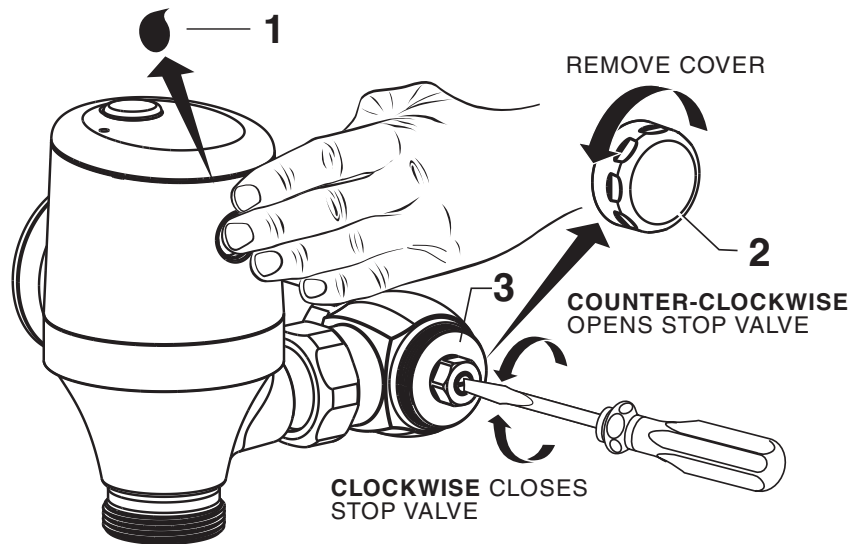
**Note: Unit may flush for approximately 5 to 10 sec. when water is first turned on. If flow persists, turn water off and repeat step #1 above.**

3. Actuate the FLUSH VALVE:

A) Cover sensor with hand for 10 seconds. **NOTE: Stand outside of sensor detection area.**

B) Remove hand from in front of the sensor; unit will flush in approximately 3 seconds.

4. Adjust STOP VALVE (3) after each flush until the stated flush volume is achieved, no splashing occurs and the fixture is properly cleansed.
5. When adjustment is complete, replace STOP VALVE COVER (2) and tighten to ensure vandal-resistance.



B C

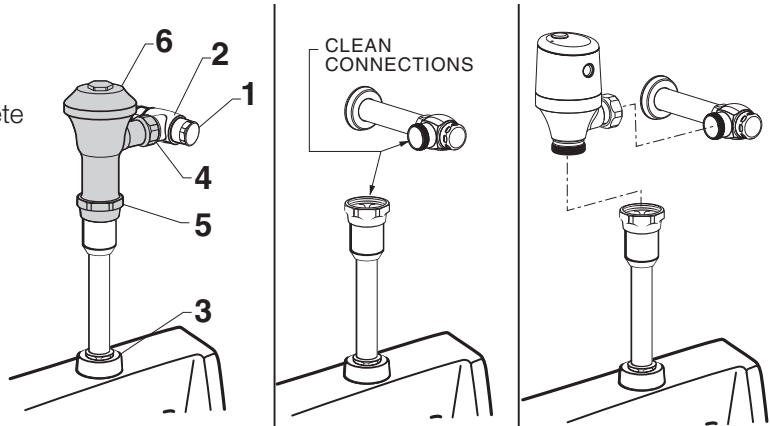
## 2

### RETROFITTING WITH SELECTRONIC VALVE

(Replaces Industry Standard Manual and Electronic Valves)

**Note:** *In most Retrofits the wall escutcheon, stop valve, cover tube and vacuum breaker do not have to be replaced. If these items do need replacement they must be purchased separately or order the complete flush valve assembly from American Standard.*

1. Remove STOP VALVE COVER (1) from STOP VALVE (2).
2. Turn water supply off.
3. Loosen SPUD COUPLING NUT (3). Unthread COUPLING NUT (4) and VACUUM BREAKER COUPLING NUT (5). Remove FLUSH VALVE (6).
4. Clean all threaded connections before installing the new flush valve.
5. Refer to **Sections 4, 5** and **6** to complete the retrofit installation.



C

## 3

### REPLACE BATTERY

1. Unthread the two SET SCREWS (1). **Fig. 11.**
2. Use a flathead screwdriver to pry CAP (2) off the flush valve cover to expose BATTERY HOLDER (5). **Fig. 11.**
3. Remove old BATTERY from BATTERY HOLDER (5). Install the new BATTERY (7) making sure the shape of the BATTERY follows the shape of the BATTERY HOLDER (5). **Fig. 11a.**
4. Insert BATTERY HOLDER (6) into flush valve COVER (3). **Fig. 11a.**
5. Connect BATTERY HOLDER (5) to SENSOR (4) and reverse the above steps to assemble flush valve. **Fig. 11a.**

**Note:** When the battery is replaced, the sensor light will flash 10 times

Fig. 11

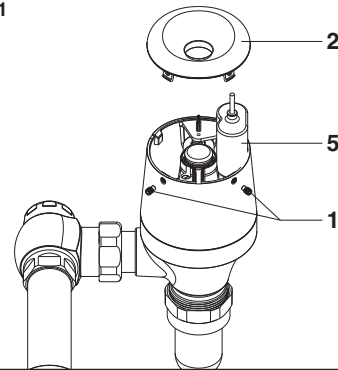
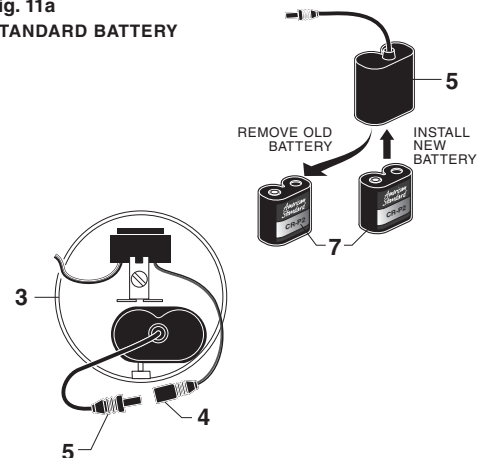


Fig. 11a  
STANDARD BATTERY

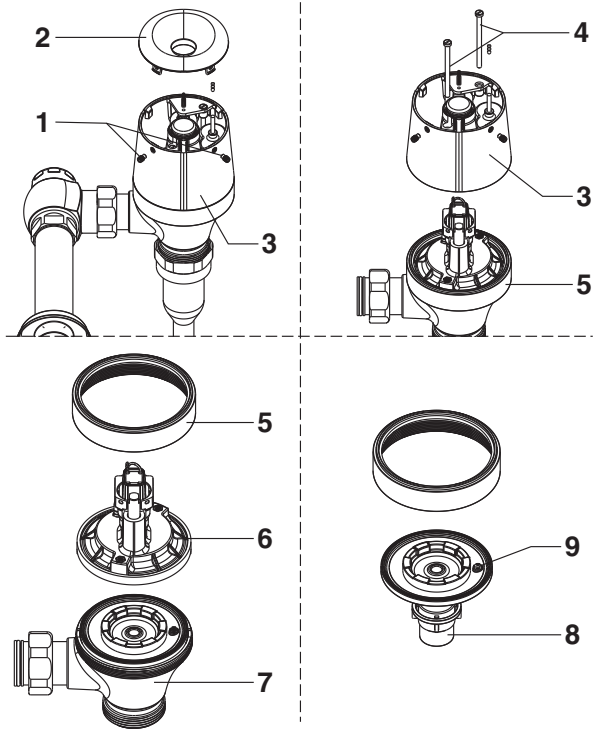


B H

## 4

## CLEANING DIAPHRAGM

1. Unthread the two SET SCREWS (1).
2. Use a flathead screwdriver to pry CAP (2) off the BODY SHELL (3).
3. Disconnect the battery wire coupling and solenoid wire coupling.
4. Unthread the two SCREWS (4).
5. Lift BODY SHELL (3) off the BODY RING (5).
6. Unthread BODY RING (5).
7. Remove MANIFOLD (6).
8. Remove DIAPHRAGM (8) and clean. Clean around the CHANNEL (9).



**C J**

# TELL US WHAT YOU THINK!

★ Please leave us a product review or story at **[americanstandard.com/reviews](https://americanstandard.com/reviews)**



## Would recommend this product

Over 100 of these toilets installed. 207960537

I work for Paramount Picture Studios in the plumbing department. We have been using these toilets for the past 4+ years, swapping out older 1.6GPF or higher use toilets to this Champion Pro model. Even with the heavy use, these have stood up to the test and have performed great.

Register your warranty and sign up for an idea-filled newsletter at **[americanstandard.com/warranty](https://americanstandard.com/warranty)**.

Find installation videos at **[youtube.com/americanstandard](https://youtube.com/americanstandard)**.



## SHARE YOUR NEW PRODUCT!

Tag us **@american\_standard** on Instagram and show us how your new product looks.

## ≡ WANT MORE INFO?

For questions or help call us at **855-815-0004**, or visit **[americanstandard.com](https://americanstandard.com)**