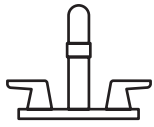


# American Standard

---



---

**American Standard is devoted to making life, in the heart of your home, better every day...**

...so, thank you for inviting us in! With the very best in kitchen and bathroom products, we are here to help make your life happier, healthier and simpler. Our commitment to quality, innovation and performance has made us part of your everyday routine for nearly 150 years, and we look forward to being a part of your life for many years to come.

**Learn more at [www.AmericanStandard.com](http://www.AmericanStandard.com)**

## **REGISTER YOUR WARRANTY**

Try the easy-scan **QR code** to quickly enter your information or find your product's detailed warranty here:

**[www.AmericanStandard.com/warranty](http://www.AmericanStandard.com/warranty)**

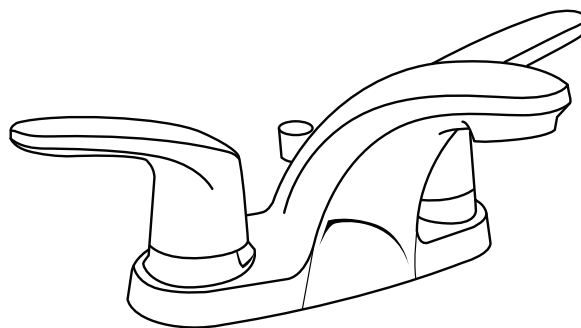


Registering allows you to keep your product information safe, and us the ability to contact you in the event of a product recall or *any* news about your purchase.

**And if ever you have a question or need help...?**

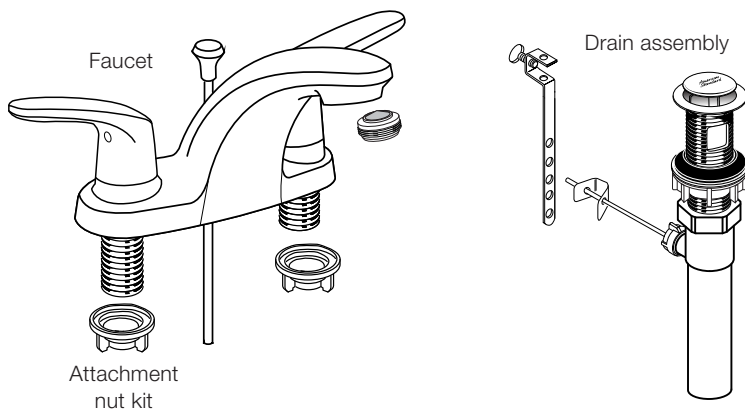
Call us at 1-855-815-0004

**OWNERS MANUAL**  
**Colony® Pro Centerset**  
**Lavatory Faucet**  
 7075200 / 7075202 /  
 7075205



**INSIDE THE BOX**

Image shown may vary from product purchased.



**RECOMMENDED TOOLS**

Installation steps will indicate which tools should be used with associated letter



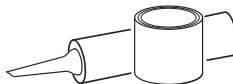
Adjustable  
Wrench

**A**



Channel  
Locks

**B**



Plumbers' Putty  
or Caulking

**C**



Phillips  
Screwdriver

**D**



Hex Wrench  
(2 mm)

**E**



**BEFORE INSTALLING YOUR FAUCET**

Turn off hot and cold water supplies before beginning.

# INSTALLATION INSTRUCTIONS

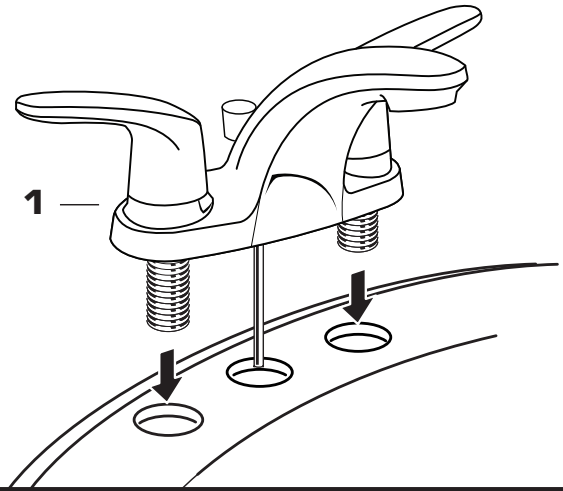
1

## INSTALL FAUCET



Turn off hot and cold water supplies before beginning.

- Insert FAUCET (1) and POP-UP CABLE (2) through mounting holes of Sink or Mounting Surface.

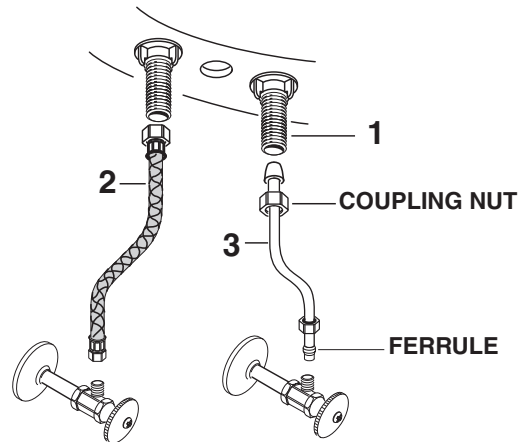


2

## SECURE FAUCET AND MAKE WATER SUPPLY CONNECTIONS

- Secure FAUCET (1) with ATTACHMENT NUTS (2) supplied. (HAND TIGHTEN).
- Connect water supply to FAUCET (1) with 1/2" IPS FLEXIBLE SUPPLIES (3) or 3/8" O.D. BULL-NOSE RISERS (4). Use adjustable wrench to tighten connections. Do not over tighten. Be careful not to kink copper supply when bending. Use tubing cutter to cut to proper length.

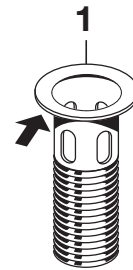
**NOTE: FLEXIBLE SUPPLIES HAVE TO BE PURCHASED SEPARATELY.**



3

## INSTALL POP-UP DRAIN

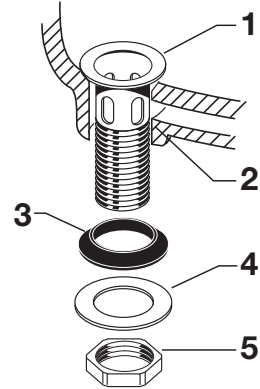
- Apply a bead of putty to underside of FLANGE (1).



### 3a

#### INSTALL POP-UP DRAIN

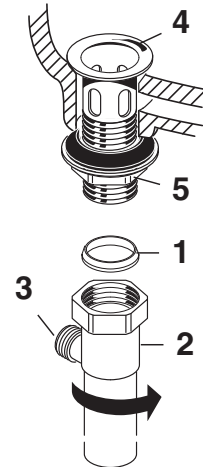
- Drop FLANGE (1) into LAVATORY DRAIN (2). From below assemble RUBBER GASKET (3), METAL WASHER (4) and LOCK NUT (5). Do not tighten.



### 3b

#### INSTALL POP-UP DRAIN

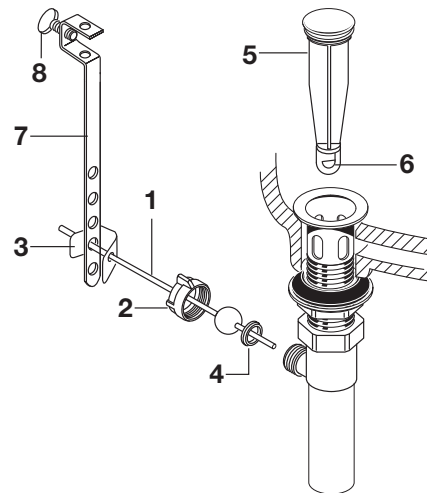
- Place SEAL (1) with small end facing up into TAILPIECE (2) and tighten against DRAIN BODY (4). PIVOT ROD (3) opening in TAILPIECE (2) should face the rear of the lavatory. Tighten LOCK NUT (5) with channel locks. Do not over tighten.



### 3c

#### INSTALL POP-UP DRAIN

- Assemble PIVOT ROD (1), PIVOT NUT (2), CLIP (3) and SEAL (4) as shown. Hand tighten PIVOT NUT (2) Drop STOPPER (5) into drain. (For vandal proof drain rotate stopper so PIVOT ROD (1) goes through EYE (6) of STOPPER (5). Make connection to "P" TRAP.
- Remove one end of CLIP (3) from PIVOT ROD (1) by squeezing ends together while sliding.
- Insert PIVOT ROD (1) into second or third hole in EXTENSION (7) and reassemble CLIP (3). (EXTENSION (7) may need to be bent.)
- Adjust STOPPER (5) height by repositioning EXTENSION (7) and tightening THUMBSCREW (8).



## 4

### TEST INSTALLED FAUCET

- Remove AERATOR. With handles in OFF position, turn on water supplies and check all connections for leaks.
- Operate both handles to flush water lines thoroughly. Operate LIFT ROD and check DRAIN for leaks. Replace AERATOR.

## 5

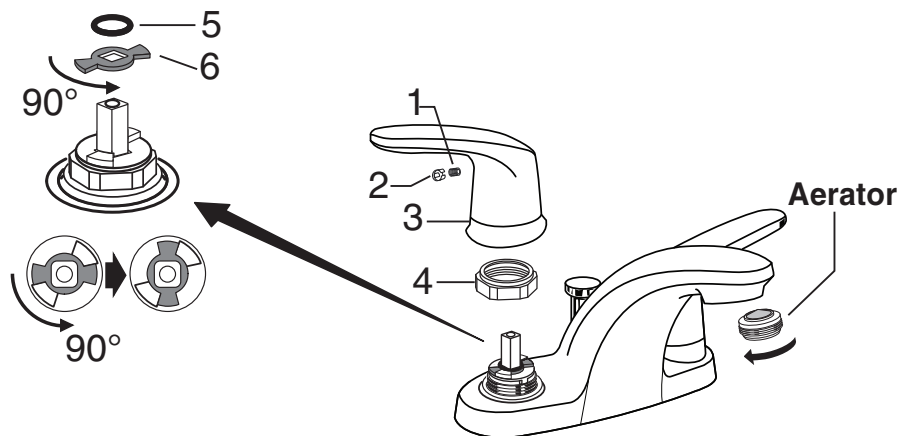
### SERVICE

#### If Faucet Drips Proceed As Follows:

- Turn HANDLES in OFF position.
- If spout drips, operate HANDLES several times from OFF to ON position. Do not forc HANDLES they turn only 90°.
- AERATOR may accumulate dirt causing distorted and reduced water flow. Remove AERATOR and rinse clean.

#### To Change Handle Position:

- Remove INDEX BUTTON (1), HANDLE SCREW (2) and HANDLE (3).
- Remove ADAPTER (4) & RETAINING O-RING (5).
- Lift and turn STOP WASHER (6) 90°.
- Replace RETAINING O-RING (5) & ADAPTER (4). Replace HANDLE (3).



## 6

### CARE INSTRUCTIONS:

**DO:** SIMPLY RINSE THE PRODUCT CLEAN WITH CLEAR WATER. DRY WITH A SOFT COTTON FLANNEL CLOTH. **DO NOT:** DO NOT CLEAN THE PRODUCT WITH SOAPS, ACID, POLISH, ABRASIVES, HARSH CLEANERS, OR A CLOTH WITH A COARSE SURFACE.

# TELL US WHAT YOU THINK!

Please leave us a product review or story  
at **AmericanStandard.com/reviews**

Find installation videos at  
**youtube.com/americanstandard**

Register your warranty and sign up for an idea-filled newsletter at  
**AmericanStandard-us.com/support/warranty**

## PLEASE COMPLETE AMERICAN STANDARD WARRANTY REGISTRATION PROCESS AND SAVE THIS WARRANTY INFORMATION IMPORTANT:

Registration of the sink must be completed for this warranty to become effective. Your registration will make it easier to contact you in the event of a product recall.\*

**INSTRUCTIONS:** Register your sink at [www.americanstandard.com](http://www.americanstandard.com). Please save your proof of purchase (sale receipt). If you need assistance or do not have access to our website, please contact American Standard Customer Care at: (800) 442-1902. An American Standard representative will assist in completing the warranty registration.

\*In California, your warranty rights remain intact even if you do not complete the registration process.



## SHARE YOUR NEW PRODUCT!

Tag us **@american\_standard** on Instagram  
and show us how your new product looks.

## ≡ WANT MORE INFO?

For questions or help call us at **855-815-0004**,  
or visit **AmericanStandard.com**

### UNITED STATES

American Standard Brands  
865 Centennial Ave.  
Piscataway, New Jersey 08854  
Attention: Director of Customer Care  
For residents of the United States,  
warranty information may also be  
obtained by calling the following  
toll free number: (855) 815-0004  
[www.AmericanStandard.com](http://www.AmericanStandard.com)

### CANADA

LIXIL Canada, Inc.  
5900 Avebury Rd.  
Mississauga, Ontario  
Canada L5R 3M3  
Toll Free: (800) 387-0369  
[AmericanStandard.ca/support/warranty](http://AmericanStandard.ca/support/warranty)

### MEXICO

American Standard B&K Mexico  
S. de R.L. de C.V.  
Via Morelos #330  
Col. Santa Clara  
Ecatepec 55540 Edo. Mexico  
Toll Free: 800-839-1200  
[AmericanStandard.com.mx/garantia](http://AmericanStandard.com.mx/garantia)

M965761 EN (7/23)  
7075200/7075202/7075205

PART OF **LIXIL**

*American Standard*