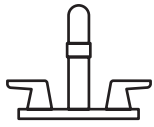


American Standard



American Standard is devoted to making life, in the heart of your home, better every day...

...so, thank you for inviting us in! With the very best in kitchen and bathroom products, we are here to help make your life happier, healthier and simpler. Our commitment to quality, innovation and performance has made us part of your everyday routine for nearly 150 years, and we look forward to being a part of your life for many years to come.

Learn more at www.AmericanStandard.com

REGISTER YOUR WARRANTY

Try the easy-scan **QR code** to quickly enter your information or find your product's detailed warranty here:

www.AmericanStandard.com/warranty

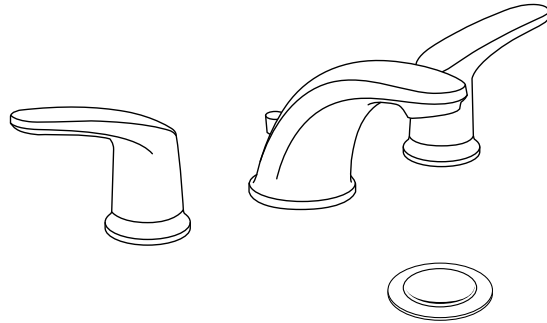


Registering allows you to keep your product information safe, and us the ability to contact you in the event of a product recall or *any* news about your purchase.

And if ever you have a question or need help...?

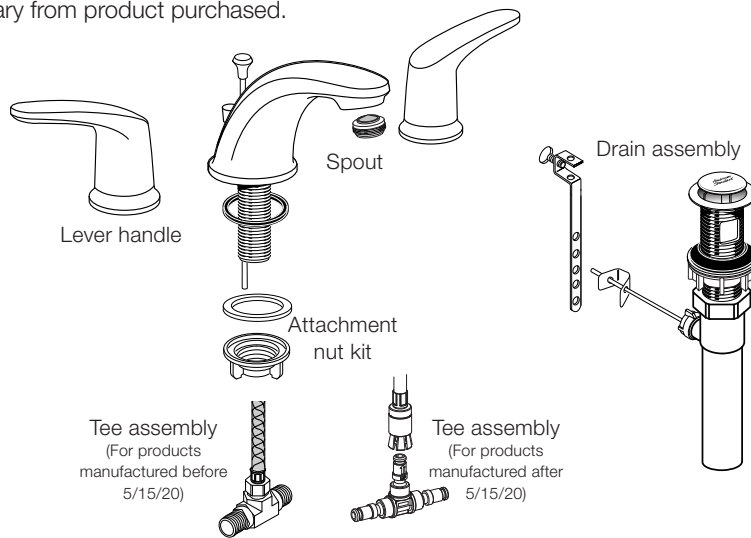
Call us at 1-855-815-0004

OWNERS MANUAL
Colony® Pro Widespread
Lavatory Faucet
 7075800 / 7075802



INSIDE THE BOX

Image shown may vary from product purchased.



RECOMMENDED TOOLS

Installation steps will indicate which tools should be used with associated letter



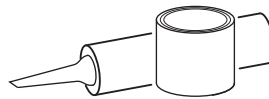
Adjustable Wrench

A



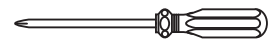
Channel Locks

B



Plumbers' Putty or Caulking

C



Phillips Screwdriver

D



BEFORE INSTALLING YOUR FAUCET

Turn off hot and cold water supplies before beginning.

INSTALLATION INSTRUCTIONS

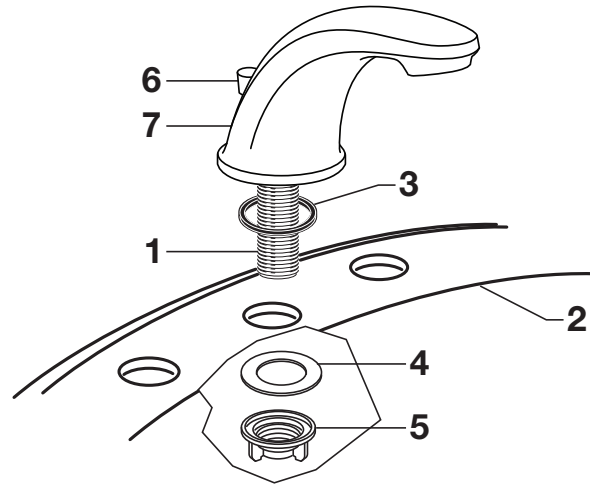
1

INSTALL SPOUT



Turn off hot and cold water supplies before beginning.

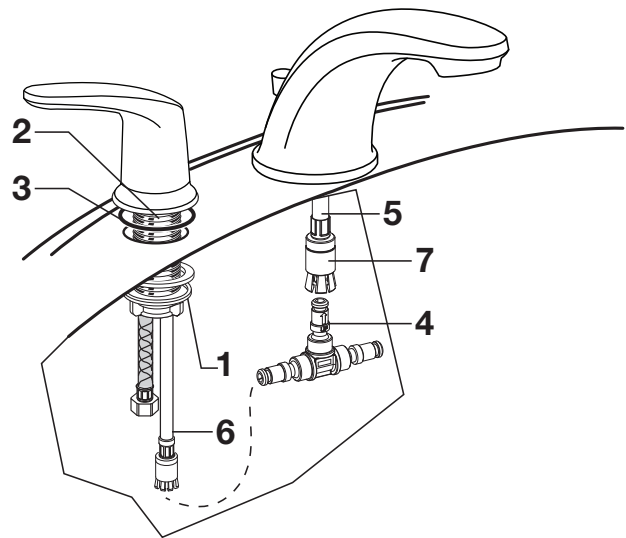
- Insert SPOUT SHANK (1) through center hole of SINK (2), making sure RUBBER RING (3) is properly positioned.
- Assemble FRICTION WASHER (4) and LOCKNUT (5) onto threads of SPOUT SHANK (1) from underside of SINK (2).
- Insert LIFT ROD (6) through SPOUT (7). Align SPOUT (7) and tighten LOCKNUT (5).



2

VALVE INSTALLATION

- Insert VALVE BODY (2), RUBBER RING (3), and two hoses through the side hole of the sink.
- From under sink tighten LOCK NUT (1) to secure VALVE BODY (2).
- Push the TEE ASSEMBLY (4) into the HOSE CONNECTOR (5) slide down LOCKING COLLAR (7) until it snaps into place to secure connection.
- Push the Hoses (6) on to T-Connector and secure it with the sleeve by sliding it over.



3

INSTALL POP-UP DRAIN

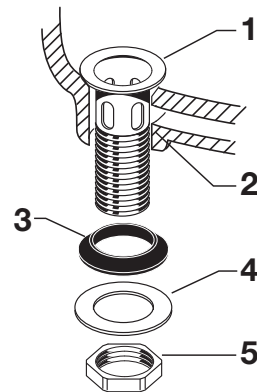
- Apply a bead of putty to underside of FLANGE (1).



3a

INSTALL POP-UP DRAIN

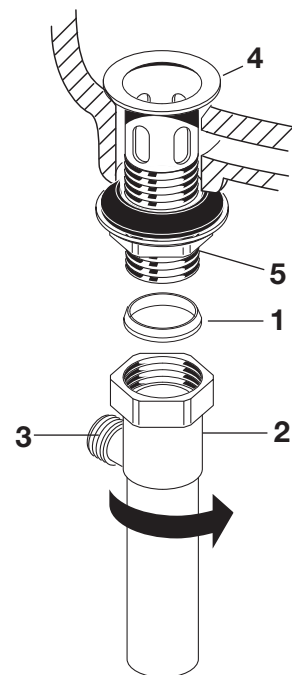
- Drop FLANGE (1) into LAVATORY DRAIN (2). From below assemble RUBBER GASKET (3), METAL WASHER (4) and LOCK NUT (5). Do not tighten.



3b

INSTALL POP-UP DRAIN

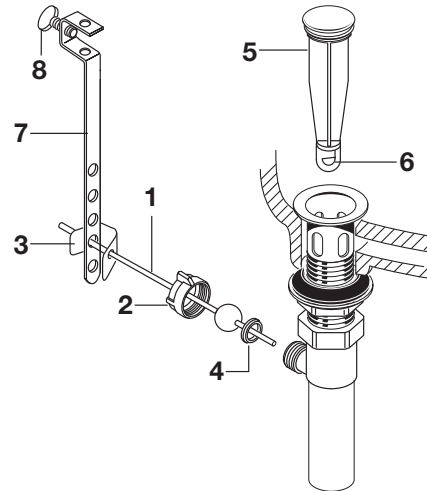
- Place SEAL (1) with small end facing up into TAILPIECE (2) and tighten against DRAIN BODY (4). PIVOT ROD (3) opening in TAILPIECE (2) should face the rear of the lavatory. Tighten LOCK NUT (5) with channel locks. Do not over tighten.



3c

INSTALL POP-UP DRAIN

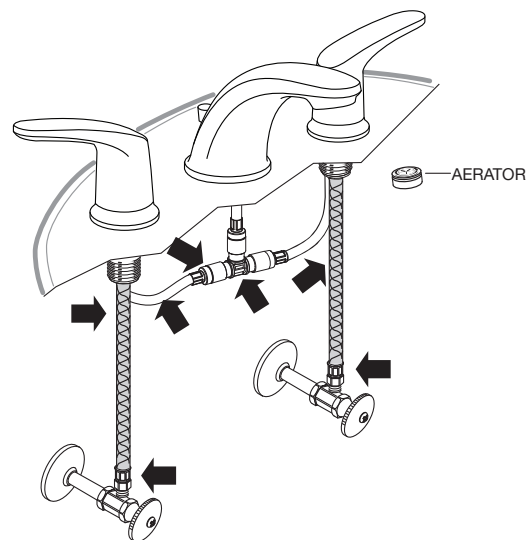
- Assemble PIVOT ROD (1), PIVOT NUT (2), CLIP (3) and SEAL (4) as shown. Hand tighten PIVOT NUT (2) Drop STOPPER (5) into drain. (For vandal proof drain rotate stopper so PIVOT ROD (1) goes through EYE (6) of STOPPER (5). Make connection to "P" TRAP.
- Remove one end of CLIP (3) from PIVOT ROD (1) by squeezing ends together while sliding.
- Insert PIVOT ROD (1) into second or third hole in EXTENSION (7) and reassemble CLIP (3). (EXTENSION (7) may need to be bent.)
- Adjust STOPPER (5) height by repositioning EXTENSION (7) and tightening THUMBSCREW (8).



4

TEST INSTALLED FAUCET

- Remove AERATOR. With handles in OFF position, turn on water supplies and check all connections for leaks.
- Operate both handles to flush water lines thoroughly. Operate LIFT ROD and check DRAIN for leaks. Replace AERATOR.



5

IF FAUCET DRIPS PROCEED AS FOLLOWS:

- Aerator may accumulate dirt causing distorted and reduced water flow. Remove aerator and rinse clean.
- If spout drips, operate handles several times from OFF to ON position. Do not force-handles turn only 90°.

6

CARE INSTRUCTIONS:

DO: SIMPLY RINSE THE PRODUCT CLEAN WITH CLEAR WATER. DRY WITH A SOFT COTTON FLANNEL CLOTH. **DO NOT:** DO NOT CLEAN THE PRODUCT WITH SOAPS, ACID, POLISH, ABRASIVES, HARSH CLEANERS, OR A CLOTH WITH A COARSE SURFACE.

TELL US WHAT YOU THINK!

Please leave us a product review or story
at **AmericanStandard.com/reviews**

Find installation videos at
youtube.com/americanstandard

Register your warranty and sign up for an idea-filled newsletter at
AmericanStandard-us.com/support/warranty

PLEASE COMPLETE AMERICAN STANDARD WARRANTY REGISTRATION PROCESS AND SAVE THIS WARRANTY INFORMATION IMPORTANT:

Registration of the sink must be completed for this warranty to become effective. Your registration will make it easier to contact you in the event of a product recall.*

INSTRUCTIONS: Register your sink at www.americanstandard.com. Please save your proof of purchase (sale receipt). If you need assistance or do not have access to our website, please contact American Standard Customer Care at: (800) 442-1902. An American Standard representative will assist in completing the warranty registration.

*In California, your warranty rights remain intact even if you do not complete the registration process.



SHARE YOUR NEW PRODUCT!

Tag us **@american_standard** on Instagram
and show us how your new product looks.

≡ WANT MORE INFO?

For questions or help call us at **855-815-0004**,
or visit **AmericanStandard.com**

UNITED STATES

American Standard Brands
865 Centennial Ave.
Piscataway, New Jersey 08854
Attention: Director of Customer Care
For residents of the United States,
warranty information may also be
obtained by calling the following
toll free number: (855) 815-0004
www.AmericanStandard.com

CANADA

LIXIL Canada, Inc.
5900 Avebury Rd.
Mississauga, Ontario
Canada L5R 3M3
Toll Free: (800) 387-0369
AmericanStandard.ca/support/warranty

MEXICO

American Standard B&K Mexico
S. de R.L. de C.V.
Via Morelos #330
Col. Santa Clara
Ecatepec 55540 Edo. Mexico
Toll Free: 800-839-1200
AmericanStandard.com.mx/garantia

M965765 EN (7/23)
7075800/7075802

PART OF **LIXIL**

American Standard