

BECAUSE *JUST ADD WATER* IS PRETTY MUCH THE INSTRUCTIONS FOR A WONDERFUL LIFE.

Thank you for buying an American Standard faucet.

We're so grateful you did, and you will be too. Because faucets don't just bring us water—they're called upon to clean up brownie pans, luxuriated under by sleepy not-morning-people, and spit on by teeth-brushing kids. How do we know? Just like you, we've lived with that same beautiful chaos called life for almost 150 years. We believe that while every home should appreciate in value, we never forget the sentimental value that grows from enjoying life in the heart of home—your kitchen and bath. That's why we love your stories and ideas; they help us innovate with products that make your life easier.

Or, visit americanstandard-us.com/bathroom/sink-faucets to watch video, view/download installation manuals or learn more about your product.

Have a question or need help on install?

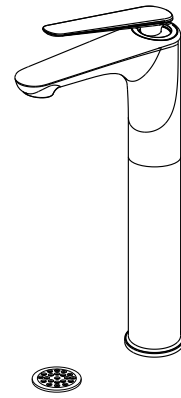
For questions or help on installation call us at **855-815-0004**.

M985141 SKU# 7105172 EN (10/21)

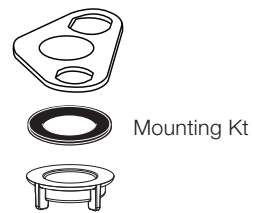
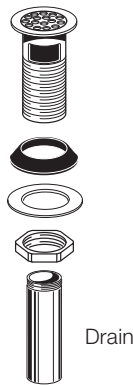
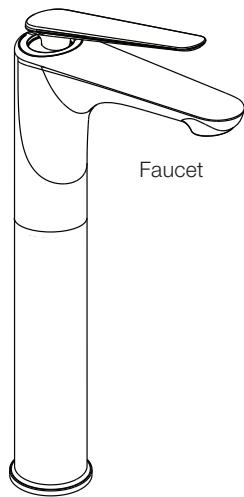
American Standard

OWNERS MANUAL

Studio® S Vessel Lavatory Faucet 7105172



INSIDE THE BOX



RECOMMENDED TOOLS

Installation steps will indicate which tools should be used with associated letter



Adjustable
Wrench

A



Channel
Locks

B

Image shown may vary from product purchased.

American Standard

INSTALLATION INSTRUCTIONS

1

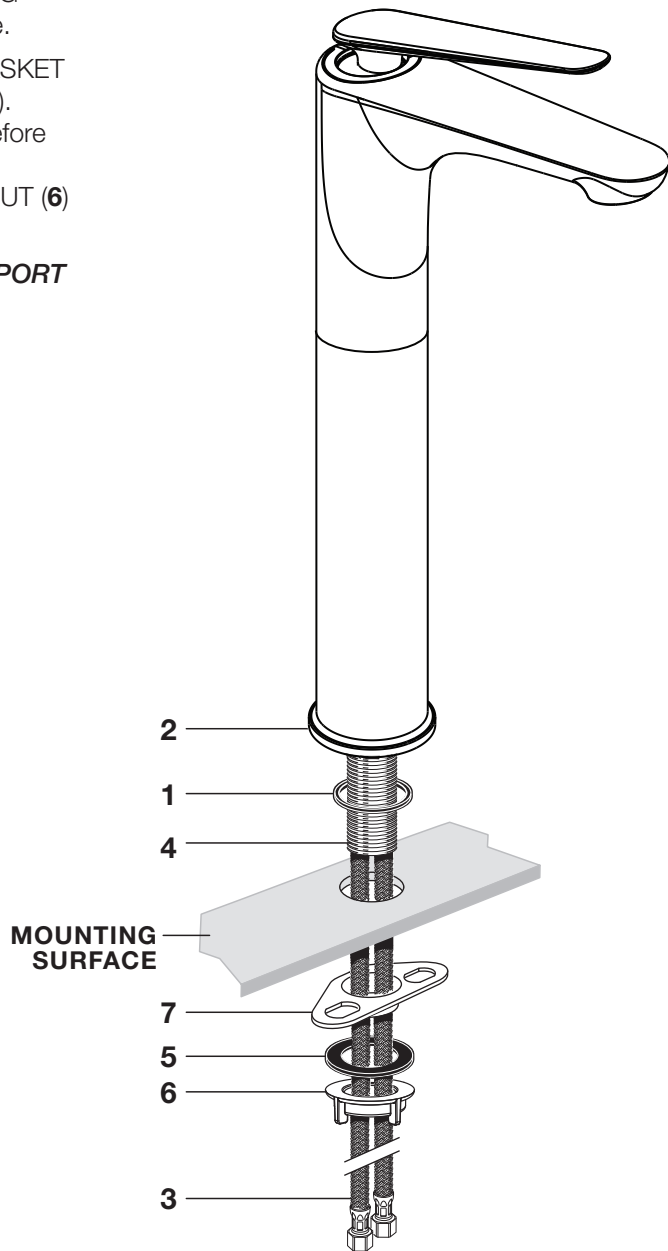
INSTALL FAUCET



Turn off hot and cold water supplies before beginning.

- Seat SEAL (1) into under side of FAUCET BASE (2).
- Feed FAUCET SUPPLIES (3) and MOUNTING SHANK (4) through hole in mounting surface.
- From below, install SUPPORT PLATE (7) GASKET (5) and MOUNTING NUT (6) onto SHANK (4). Secure Faucet with MOUNTING NUT (6). Before final tightening, adjust Faucet so that it is centered. Tighten MOUNTING NUT (6) to complete mounting.

Note: For thick deck installations, the SUPPORT PLATE (7) can be omitted.

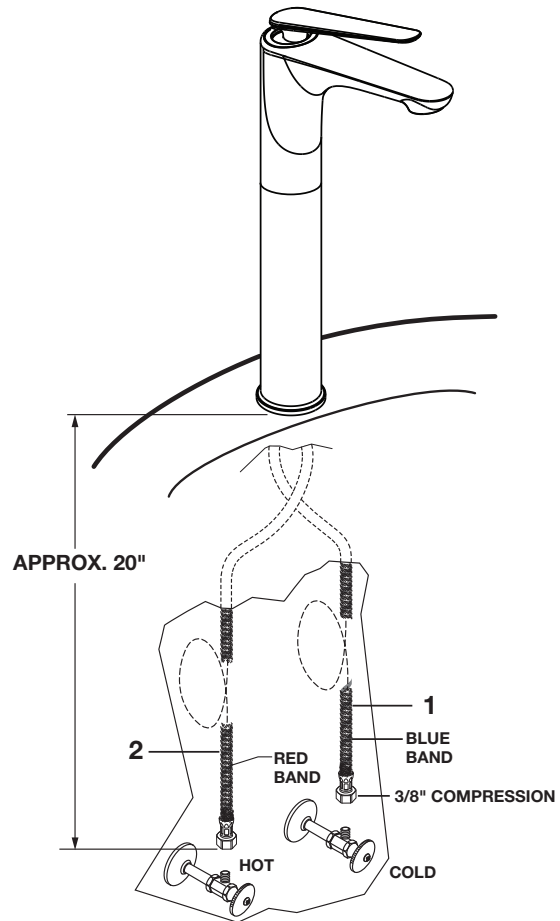


B

2

MAKE WATER SUPPLY AND WASTE CONNECTIONS

- Connect FLEXIBLE SUPPLIES (1, 2) directly to wall supplies.
Connection on fitting supplies are 3/8" compression.
Connect right SUPPLY (2) to Hot (Marked with a Red Band) and left supply to COLD (1) wall supply.
- Faucet supplies are 20" long from faucet base.
Note: If additional supply length is required, installer must purchase additional parts separately.
Important: If SUPPLY HOSES (1, 2) are to long, loop as illustrated to avoid kinking.
- Connect 1-1/4" O.D. tail piece on GRID DRAIN to waste outlet.

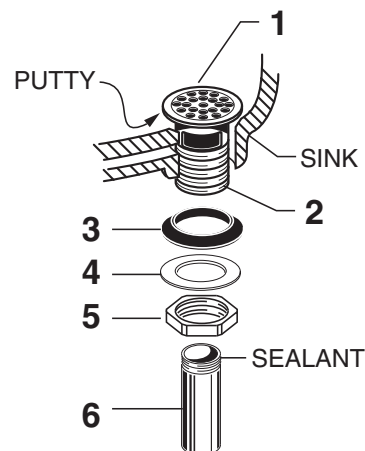


A

3

DRAIN ASSEMBLY (6542.140/.170)

- Apply a bead of PUTTY around underside of DRAIN FLANGE (1) flange. Insert DRAIN PLUG (2) into SINK drain hole.
- Hold DRAIN PLUG (2) to prevent turning and assemble GASKET (3), WASHER (4) and LOCKNUT (5) from underneath sink.
- Apply sealant to threaded end of TAILPIECE (6) and thread into lower end of DRAIN PLUG. Connect other end to trap.

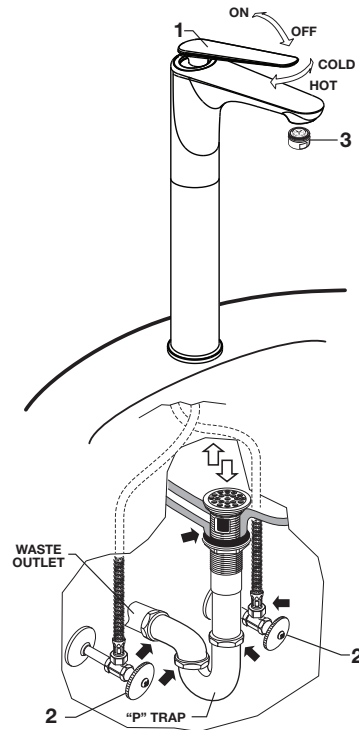


B

4

TEST INSTALLED FITTING

- With HANDLE (1) in OFF position, turn on WATER SUPPLIES (2) and check all connections for leaks. ➡
- Remove AERATOR (3).
- Operate HANDLE (1) to flush water lines thoroughly.
- Replace AERATOR (3).



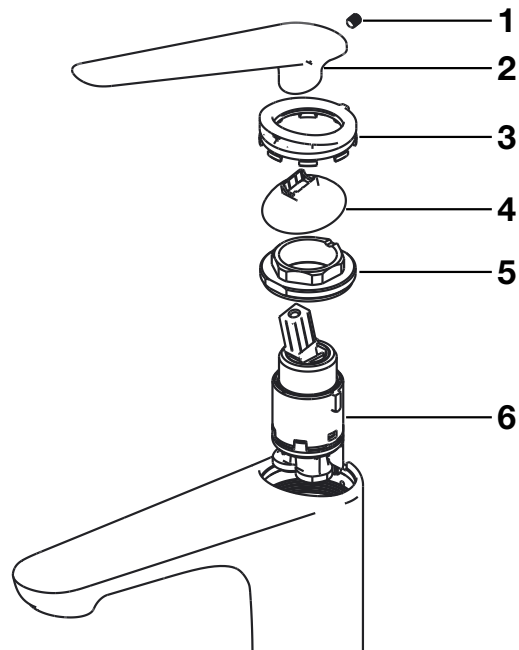
5

SERVICE



Turn off hot and cold water supplies before beginning.

- Unthread Set Screw (1) and remove Handle (2).
- Remove Escutcheon Cap (3) by pulling. This is a snap fit and will require some force to remove.
- Remove Cartridge Cap (4) by pulling.
- Unthread Cartridge Nut (5).
- Remove Cartridge (6) by pulling.
- Inspect Cartridge (6) for debris and clean if necessary.
- Inspect the faucet for debris and clean if necessary.
- Reinstall the cartridge and handle by reversing the steps above.



6

CARE INSTRUCTIONS

DO: SIMPLY RINSE THE PRODUCT CLEAN WITH CLEAR WATER. DRY WITH A SOFT COTTON FLANNEL CLOTH. **DO NOT:** DO NOT CLEAN THE PRODUCT WITH SOAPS, ACID, POLISH, ABRASIVES, HARSH CLEANERS, OR A CLOTH WITH A COARSE SURFACE.

American Standard

TELL US WHAT YOU THINK!

★ Please leave us a product review or story at **americanstandard.com/reviews**



Happy I purchased this faucet

08/22/2019 00:04:41 CDT American Standard [Kitchen Faucets](#) [Xavier SelectFlo Pull-Down Kitchen Faucet](#)

I enjoy the SelectFlo pull-down kitchen faucet with three spray patterns. It's a great fit, finish and overall quality has been excellent.

Register your warranty and sign up for an idea-filled newsletter at **americanstandard.com/warranty**.

Find installation videos at **youtube.com/americanstandard**.



SHARE YOUR NEW PRODUCT!

Tag us **@american_standard** on Instagram and show us how your new product looks.

≡ WANT MORE INFO?

For questions or help call us at **855-815-0004**, or visit **americanstandard.com**