

7105172

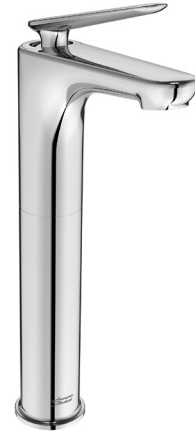
STUDIO S

STUDIO® S SINGLE HOLE SINGLE-HANDLE VESSEL SINK FAUCET 1.2 GPM/4.5 L/MIN WITH LEVER HANDLE

*American
Standard*

STANDARD SPECIFICATION:

- Metal construction and washerless ceramic disc valve cartridges
- 1.2 gpm (4.5 L/min) flow rate meets WaterSense certification requirements
- Braided flexible hoses with 3/8" (10 mm) compression connectors
- Metal Lever Handle
- Metal grid drain



AVAILABLE FINISHES:

- 7105172.002  Polished Chrome
- 7105172.243  Matte Black
- 7105172.295  Brushed Nickel

CERTIFICATIONS:



- ADA
- WaterSense
- CEC Certified
- Low Lead Certified
- CALGreen Compliant
- Massachusetts Plumbing Board Approved
- Energy Policy Act of 1992
- NSF 372
- NSF 61
- CSA B125.1
- ASME A112.18.1
- Complies with lead plumbing laws

NOTE: Install this product according to the installation guide. ADA, CSA compliant when installed to the specific requirements of these regulations.

We reserve the right to make revisions without notice to product specifications. 12-05-2024

US
Tel: 1.855.815.0004

For the most current Specification Sheet,
go to <https://www.americanstandard-us.com>.

Canada
Tel: 855.836.9615

For the most current Specification Sheet,
go to <https://www.americanstandard.ca>.

PART OF **LIXIL**

7105172

STUDIO S

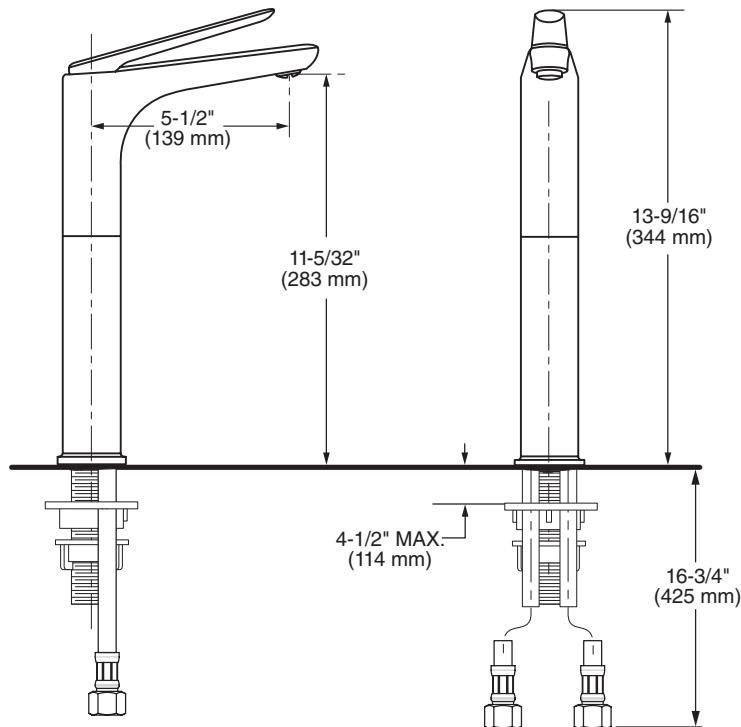
STUDIO® S SINGLE HOLE SINGLE-HANDLE VESSEL SINK FAUCET 1.2 GPM/4.5 L/MIN WITH LEVER HANDLE

American Standard

TECHNICAL DATA:

Product Height	13.25 in (336.55 mm)
Product Length	7.38 in (187.45 mm)
Product Width	2 in (50.8 mm)
Fitting Spout Reach	5.47 in (139 mm)
GPM (Min)-GPM (Max)	1.2 GPM
Fitting No of Holes Required	1
Product Weight	5.004 lb

PRODUCT COMPONENTS:



NOTE: Install this product according to the installation guide. ADA, CSA compliant when installed to the specific requirements of these regulations.

We reserve the right to make revisions without notice to product specifications. 12-05-2024

US
Tel: 1.855.815.0004

For the most current Specification Sheet,
go to <https://www.americanstandard-us.com>.

Canada
Tel: 855.836.9615

For the most current Specification Sheet,
go to <https://www.americanstandard.ca>.

PART OF **LIXIL**