

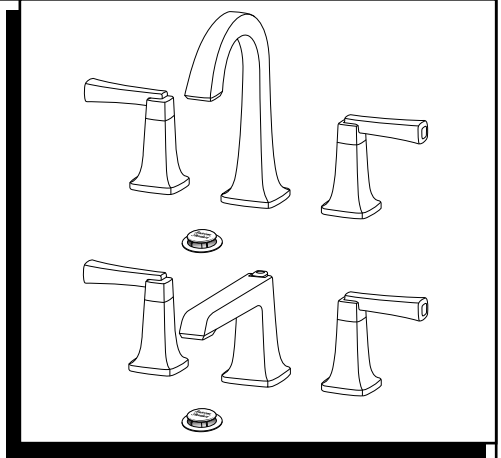
INSTALLATION INSTRUCTIONS

7353.801
7353.841

TOWNSEND® DUAL CONTROL WIDESPREAD LAVATORY FAUCET

Thank you for selecting American Standard...
the benchmark of fine quality for over 140 years.

To ensure that your installation proceeds smoothly-please
read these instructions carefully before you begin.



Certified to comply with ANSI A112.18.1M

RECOMMENDED TOOLS



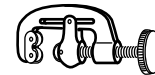
Flat Head Screwdriver



Slip Jaw Pliers



Adjustable Wrench



Tubing Cutter

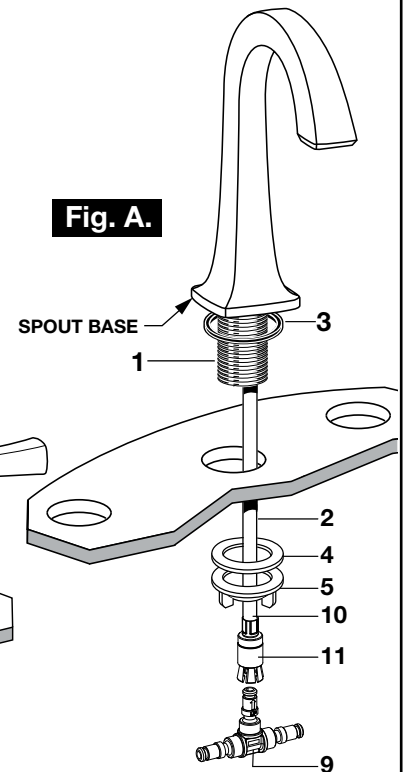
1 INSTALL SPOUT

CAUTION Turn off hot and cold water supplies before beginning.

Fig. A.

- Insert SHANK (1) and HOSE (2) through center hole, making sure SEAL WASHER (3) is properly seated in spout base.
- From below, push RETAINING WASHER (4) onto SHANK (1). Secure faucet with MOUNTING NUT (5).
- Align and center SPOUT. Tighten MOUNTING NUT (5).
- Push the TEE ASSEMBLY (9) into the HOSE CONNECTOR (10) slide down LOCKING COLLAR (11) until it snaps into place to secure connection.

Fig. A.

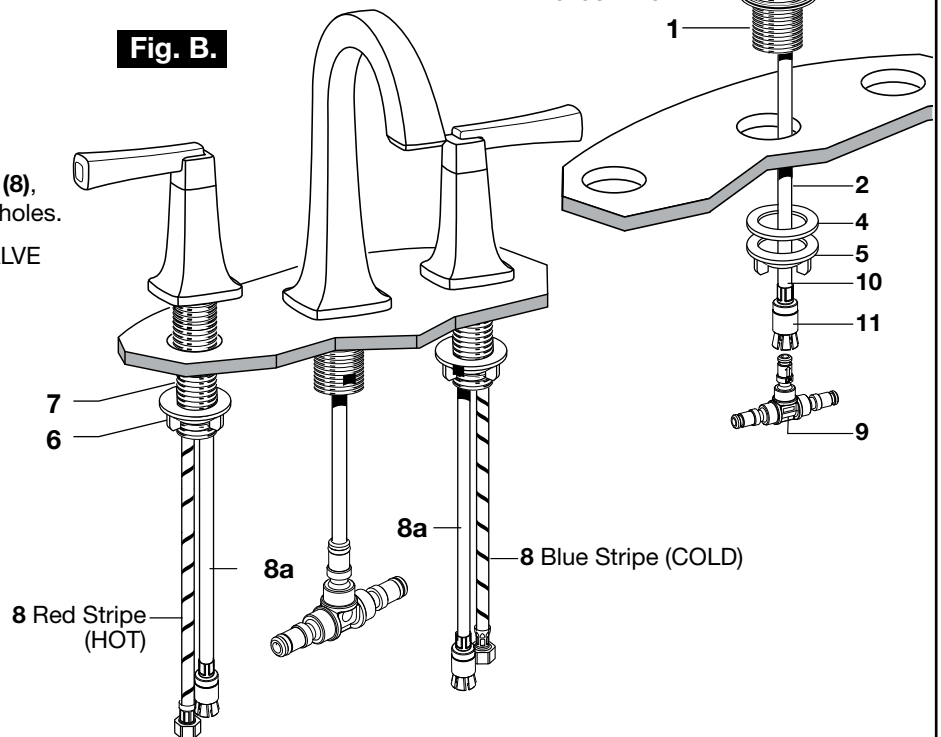


1A INSTALL VALVE BODIES

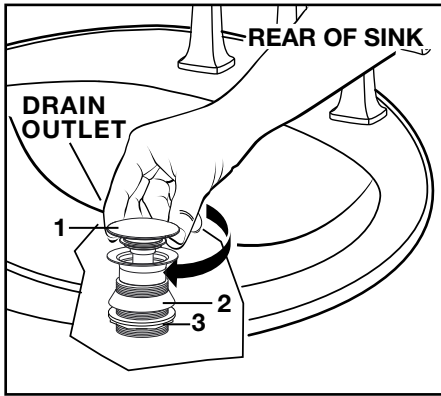
Fig. B.

- Remove LOCKNUT (6) from SIDE VALVE SHANKS (7).
- Insert Hot and Cold SIDE VALVE HOSES (8), FLEXIBLE SUPPLIES (8a) into mounting holes.
- Thread LOCKNUT (6) onto each SIDE VALVE SHANK (7) from underside of sink or mounting surface.
- Align and center SIDE VALVES. Tighten LOCKNUTS (6).

Fig. B.



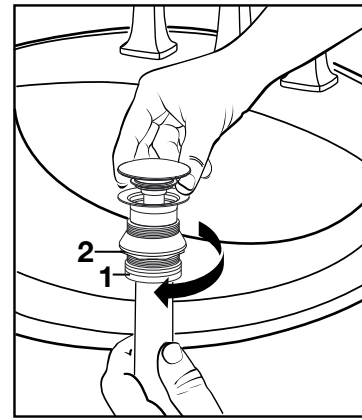
2 INSTALL DRAIN FROM BELOW FIXTURE



- Install DRAIN (1) by dropping it from the top of the sink.
- From under side of SINK install GASKET (2) and MOUNTING NUT (3).

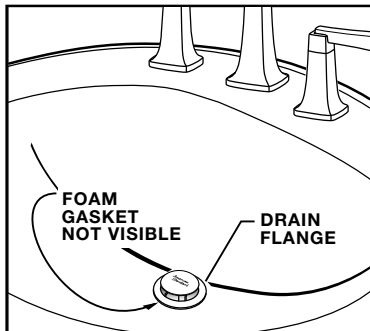
Note: Plumber's putty or caulk is recommended.

3



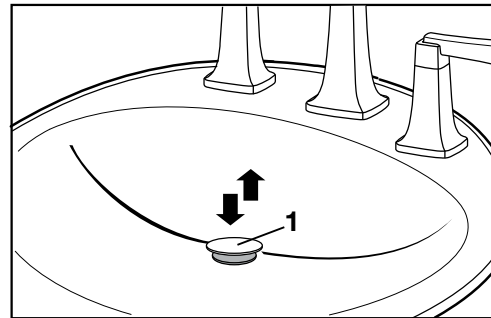
- Thread TAIL PIECE NUT (1) clockwise onto DRAIN BODY (2).

4 FLANGE GASKET AND POP-UP KNOB



- Check DRAIN FLANGE in SINK to ensure that FOAM GASKET is fully compressed and not visible.

5 CHECK OPERATION OF POP-UP



- Operate DRAIN STOPPER (1) to verify that it opens and closes.

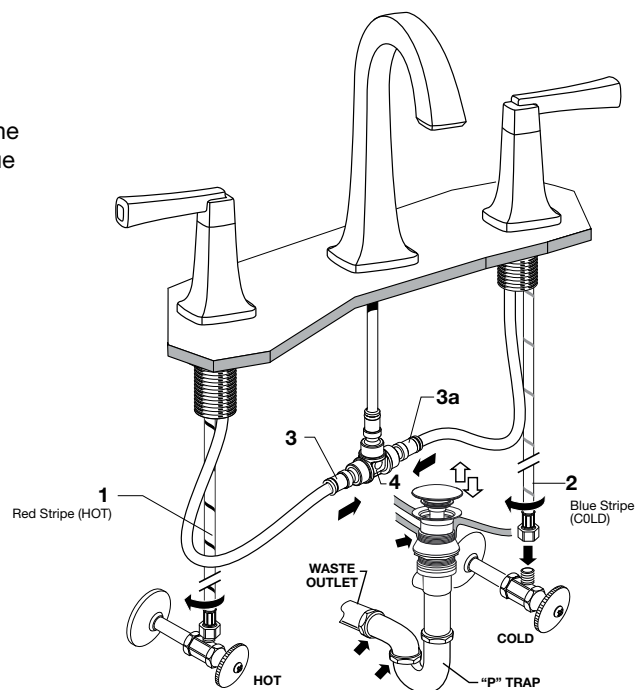
6 MAKE WATER SUPPLY AND WASTE CONNECTIONS

- Connect FLEXIBLE SUPPLIES (1, 2) directly to wall supplies. Connection on fitting supplies are 3/8" compression. Connect FLEXIBLE SUPPLY (1) (Marked with a Red Band) to the Left wall supply and FLEXIBLE SUPPLY (2) (Marked with a Blue Band) to Right wall supply.
- Connect the VALVE HOSES (3, 3a) to SPOUT TEE (4), and secure it with the sleeve by sliding it over.
- Faucet supplies are 20" long from faucet base.

Note: If additional supply length is required, installer must purchase additional parts separately.

Important: If SUPPLY HOSES (1, 2) are to long, loop as illustrated to avoid kinking.

- Connect 1-1/4" O.D. tail piece on POP-UP DRAIN to waste outlet.



7 SERVICE

Change Direction of the Handle

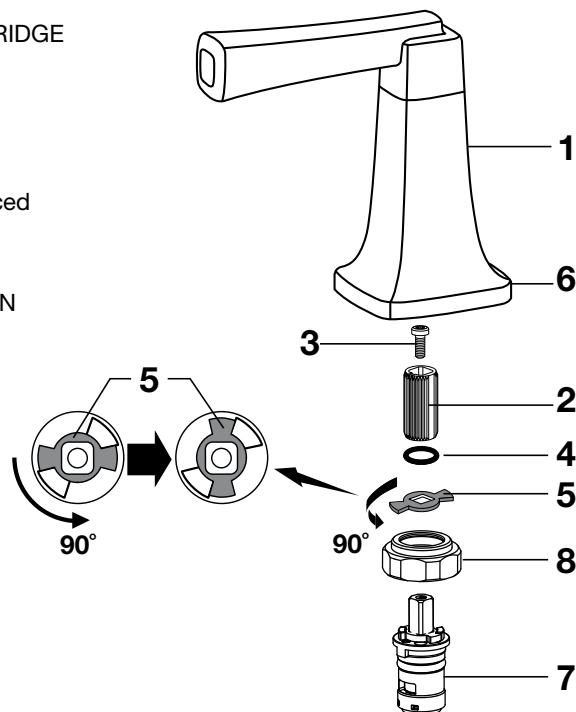
- Turn valves to OFF position.
- Turn off water supplies.
- Pull HANDLE (1) "UP" firmly to release from ESCUTCHEON (6).
- Remove SCREW (3) and pull off PLASTIC INSERT (2).
- Remove CARTRIDGE NUT (8).
- Remove RETAINING O-RING (4).
- Lift and turn STOP WASHER (5) 90°. Replace RETAINING O-RING (4).
- Re-install HANDLE ASSEMBLY.

To Change Cartridge:

- Remove HANDLE (1), ADAPTER (2), SCREW (3) and CARTRIDGE NUT (8) via steps above.
- Remove cartridge by pulling upward on stem.

Aerator Clean Out

- AERATOR may accumulate dirt causing distorted and reduced water flow. Remove AERATOR by using the edge of a coin and rinse to clear any debris.
- If spout drips, operate handles several times from OFF to ON position. Do not force - handles turn only 90°.



8 CARE INSTRUCTIONS:

DO: SIMPLY RINSE THE PRODUCT CLEAN WITH CLEAR WATER. DRY WITH A SOFT COTTON FLANNEL CLOTH.
DO NOT: DO NOT CLEAN THE PRODUCT WITH SOAPS, ACID, POLISH, ABRASIVES, HARSH CLEANERS, OR A CLOTH WITH A COARSE SURFACE.