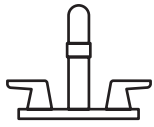


American Standard



**American Standard is devoted to making life,
in the heart of your home, better every day...**

...so, thank you for inviting us in! With the very best in kitchen and bathroom products, we are here to help make your life happier, healthier and simpler. Our commitment to quality, innovation and performance has made us part of your everyday routine for nearly 150 years, and we look forward to being a part of your life for many years to come.

Learn more at www.AmericanStandard.com

REGISTER YOUR WARRANTY

Try the easy-scan **QR code** to quickly enter your information or find your product's detailed warranty here:

www.AmericanStandard.com/warranty



Registering allows you to keep your product information safe, and us the ability to contact you in the event of a product recall or *any* news about your purchase.

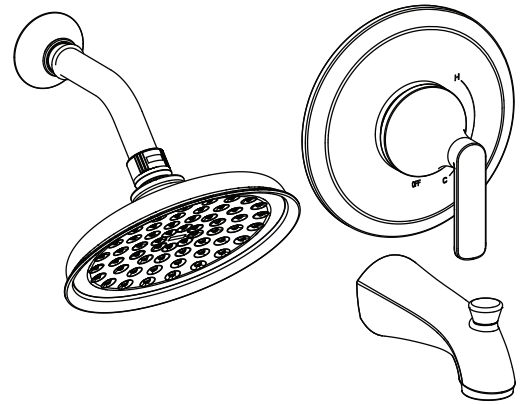
And if ever you have a question or need help...?

Call us at 1-855-815-0004

OWNERS MANUAL

Pressure Balancing Bath and Shower Kit

7426508 / 7427502 / 7428508
7429508 / 1013932430 / 1036960
7012502 / 1036960000



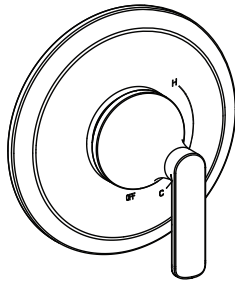
For use with shower heads rated at 4.9 L/min (1.3 gpm) or higher

INSIDE THE BOX

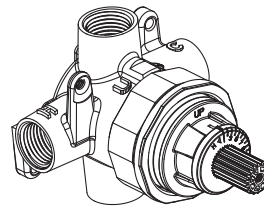
Image shown may vary from product purchased.



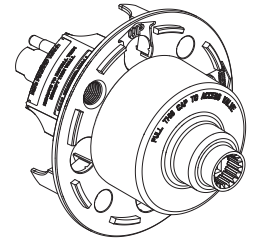
Showerhead



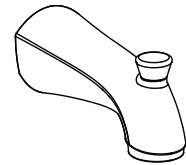
Trim with Handle



Rough Valve



Plaster Guard



Tub Spout

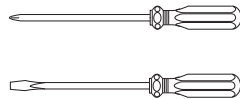
RECOMMENDED TOOLS

Installation steps will indicate which tools should be used with associated letter



Teflon
Tape

A



Phillips & Flat Blade
Screwdriver

B



Adjustable
Wrench

C



Channel
Locks

D



BEFORE INSTALLING YOUR FAUCET

Turn off hot and cold water supplies before beginning.

INSTALLATION INSTRUCTIONS

1A

ROUGH-IN VALVE STANDARD WALL INSTALLATION

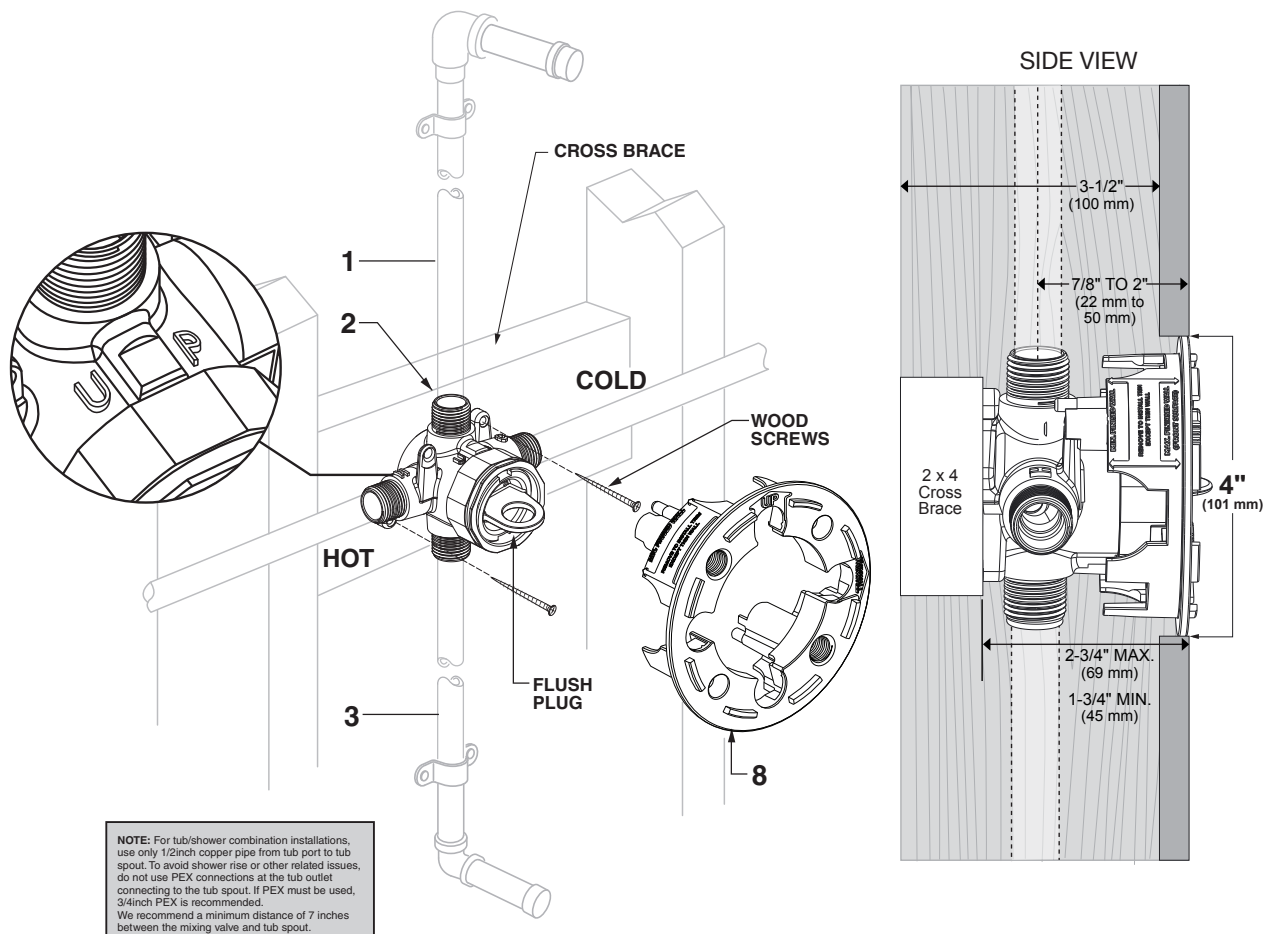


Turn off hot and cold water supplies before beginning.

- See Roughing-in diagram before starting.
- Remove the PLASTER GUARD (8) and CARTRIDGE COVER (7) for proper installation.
- Mount VALVE BODY to cross brace (2" X 4") with-in wall. Use wood screws to secure VALVE BODY to brace.
- Connect HOT and COLD water supplies per connection method of selected valve.
- Connect RISER PIPE (1) to VALVE BODY (2) top outlet marked "UP".
- Connect TUB FILLER PIPE (3) to bottom outlet.
- Install Plaster Guard (8) back onto the valve. Only remove Plaster Guard (8) when ready to install trim Kit.
- Finished wall should allow for a 4" diameter opening (Use Plaster Guard for guidance)

CAUTION: After valve installation, inspect the VALVE BODY for any debris. It can damage Pressure Balance Valve cartridge.

NOTE: For back to back installation, follow steps mentioned above. Reversal of Hot/Cold water supplies is accomplished by rotating cartridge (supplied with trim) 180° during installation.



1B

ROUGH-IN VALVE THIN WALL INSTALLATION

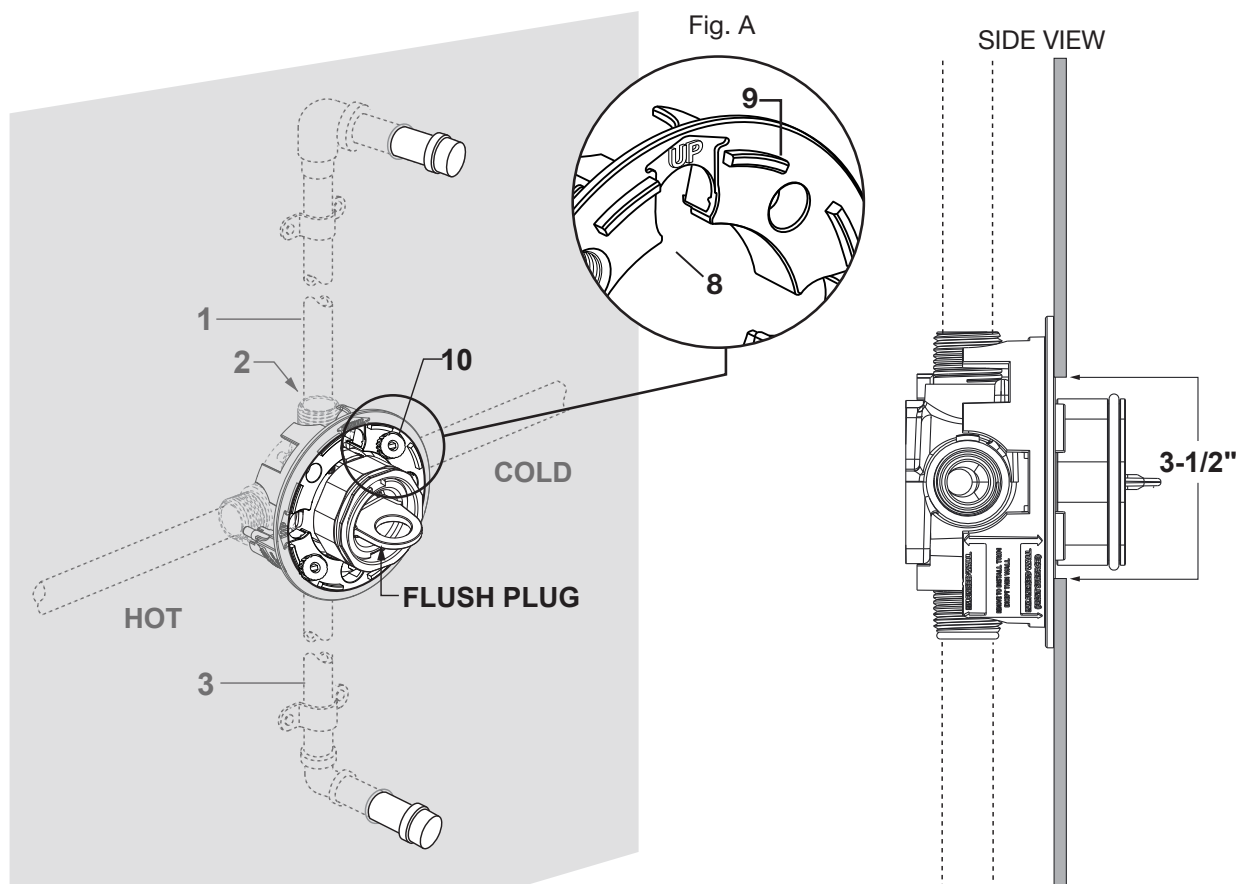


Turn off hot and cold water supplies before beginning.

- See Roughing-in diagram before starting.
- Finished wall should allow for a 3-1/2" diameter opening (Use Plaster Guard for guidance).
- Remove PLASTER GUARD (8), rotate 90° counter clockwise and install the two screws. (Thin wall text should be on top)
- Use SELF-CENTERING HOLE GUIDES (9) as a guide for thin wall install.
- Connect HOT and COLD water supplies per connection method of selected valve.
- Connect RISER PIPE (1) to VALVE BODY (2) top outlet marked "UP".
- Connect TUB FILLER PIPE (3) to bottom outlet.

CAUTION: After valve installation, inspect the VALVE BODY for any debris. It can damage Pressure Balance Valve cartridge.

NOTE: For back to back installation, follow steps mentioned above. Reversal of Hot/Cold water supplies is accomplished by rotating cartridge (supplied with trim) 180° during installation.



2

WALL PLATE INSTALLATION

STANDARD WALL INSTALLATION

- **Figure 1.** Remove plaster guard and cartridge cover from the valve. Push CAP (1) over VALVE CARTRIDGE (2) until seated against stop.
- **Figure 2.** Push MOUNTING PLATE (3) onto CAP (1) and attach to valve body with LONG SCREWS (4).
- **Figure 2.** Push ESCUTHEON (5) on to MOUNTING PLATE (3).

THIN WALL INSTALLATION

- **Figure 1a.** Remove cartridge cover. Push CAP (1) over VALVE CARTRIDGE (2) until seated against stop.
- **Figure 2a.** Push MOUNTING PLATE (3) onto CAP (1) and attach to valve body with LONG SCREWS (4).
- **Figure 2a.** Push ESCUTHEON (5) on to MOUNTING PLATE (3).

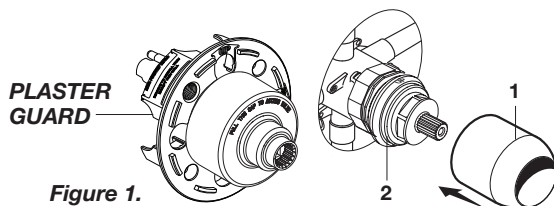


Figure 1.

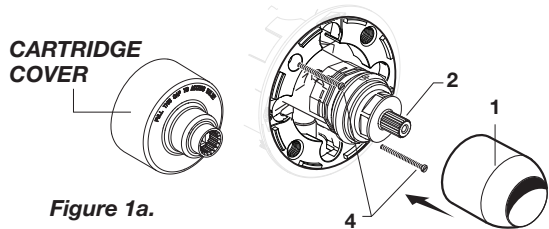


Figure 1a.

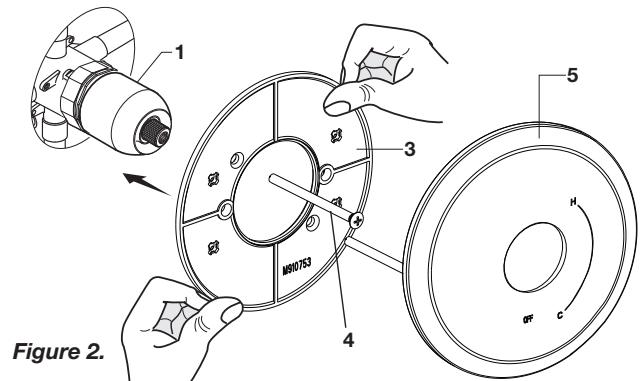


Figure 2.

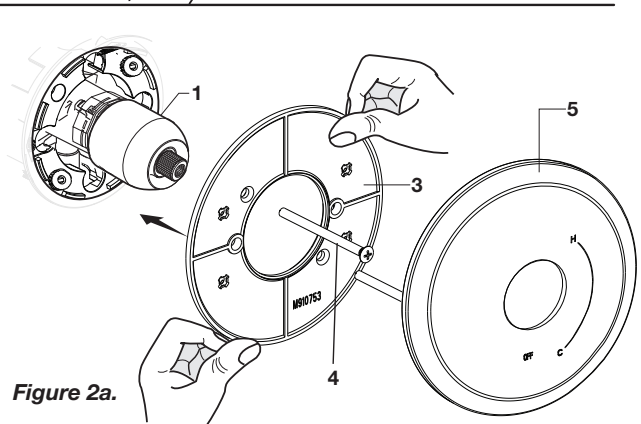


Figure 2a.

3

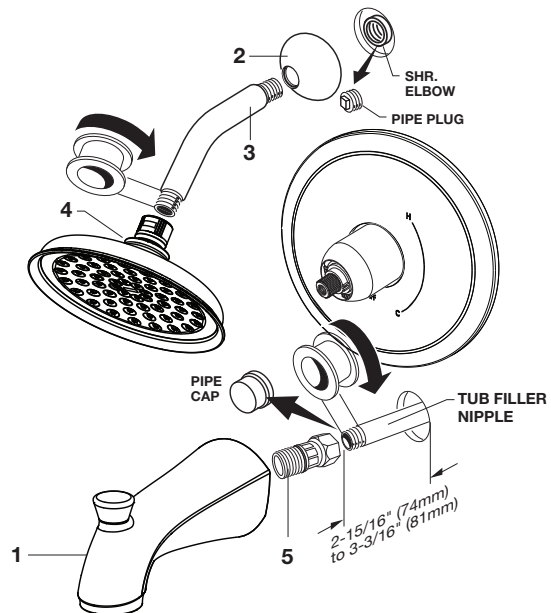
INSTALL TUB SPOUT, SHOWER HEAD, SHOWER ARM WITH FLANGE



Protect finish to avoid scratching or damaging the shower head and tub spout when installing.

- Remove pipe cap and plug from shower and tub rough piping.
- Thread ADAPTER (5) on to the pipe. Thread TUB SPOUT (1) on to ADAPTER (5).
- Install SHOWER ESCUTCHEON (2) onto SHOWER ARM (3). Apply sealant or Teflon tape to threads on both ends of SHOWER ARM (3) and thread longer leg of SHOWER ARM (3) into shower elbow.
- Thread SHOWER HEAD (4) onto SHOWER ARM (3).
CAUTION: Protect finish on SHOWER HEAD and ARM when installing.

Note: Do not over-tighten tub spout. Thread on until spout is facing downward.



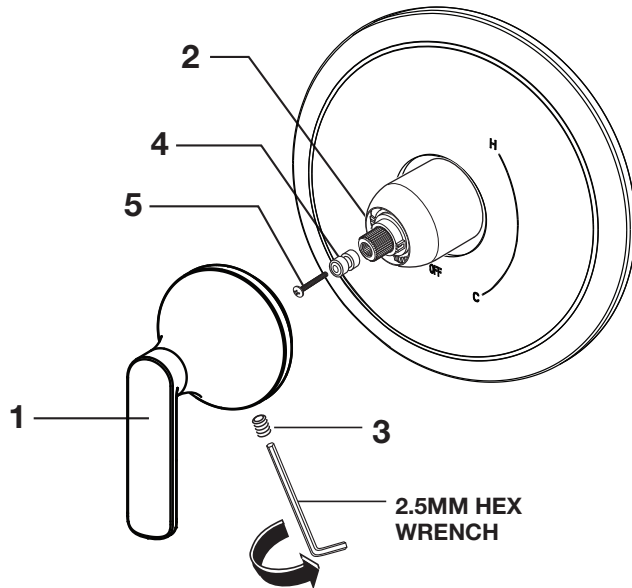
A

C

4

HANDLE INSTALLATION

- Hold ADAPTER (4) onto CARTRIDGE STEM (2) and install ADAPTER SCREW (5) through ADAPTER (4) into CARTRIDGE STEM (2). Tighten ADAPTER SCREW (5) to secure ADAPTER (4) to CARTRIDGE STEM (2).
- Install HANDLE (1) by pushing it onto CARTRIDGE STEM (2) and tightening SET SCREW (3) from below with 2.5 mm Hex Wrench supplied.

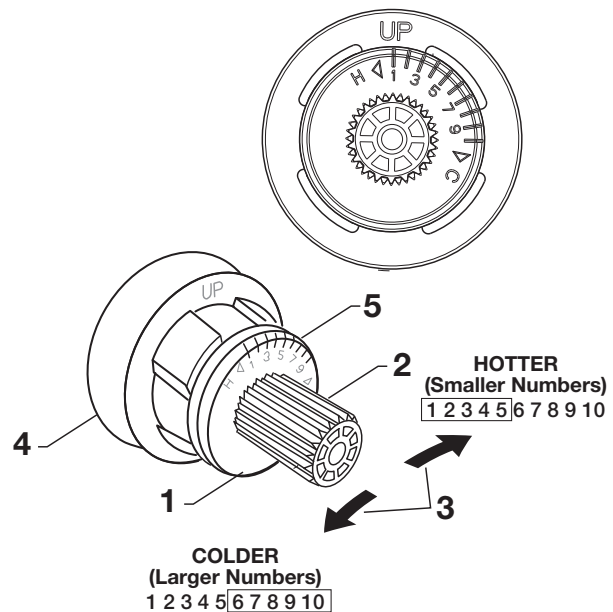


B

5

ADJUST HOT LIMIT STOP

- By restricting HANDLE rotation and limiting the amount of hot water allowed to mix with the cold, the HOT LIMIT SAFETY STOP (1) reduces risk of accidental scalding. To set the maximum hot water temperature of your faucet valve, adjust the setting on the HOT LIMIT SAFETY STOP (1).
- Turn CARTRIDGE STEM (2) to the OFF position (coldest setting) before making adjustment to HOT LIMIT STOP (1). Pull forward and rotate counterclockwise one number to limit hot water temperature. Use NUMBERS (5) on CARTRIDGE STEM (4) on HOT LIMIT STOP (1) for indication.



6

SERVICE



Turn off hot and cold water supplies before beginning.

TO GAIN ACCESS TO VALVE FOR SERVICING

- Remove HANDLE (see step 3 and reverse).
- Remove ESCUTCHEON and CARTRIDGE CAP (see step 1 and reverse).

VALVE LEAKS WHEN SHUT OFF

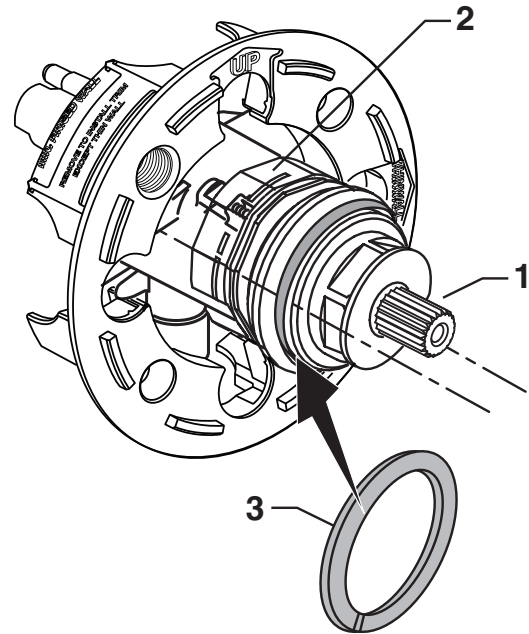
- Remove CARTRIDGE, see STEP 1 and STEP 2 and REVERSE process.
- Clean SEALS on the side of CARTRIDGE. Clean inside sealing surface of VALVE BODY.
- Re-assemble CARTRIDGE. Install trim. Turn on water supply and check for leaks.

REPLACING CARTRIDGE

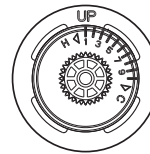
- To remove Cartridge (1), install split washer (3) between the ridge on the cartridge and the bonnet nut. (only supplied with replacement cartridge). as shown.
- Proceed to unthread bonnet nut (2) counter clockwise.
Note: Cartridge (1) should be pulling out while unthreading bonnet nut (2).
- Upon removal of the old Cartridge, install a new cartridge and secure it with bonnet nut (Hand tighten).

BACK TO BACK INSTALLATION

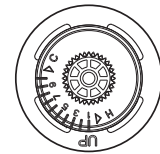
- Remove CARTRIDGE (B) as detailed in steps above.
- Remove Pin (A) from Cartridge (B) by pulling.
- Separate Manifold (C) from Cartridge (B) by pulling.
- Rotate Cartridge (B) 180 degrees and reinstall Manifold (C) with Pin (A).
- The "up" text (D) should now be facing downward during installation of the cartridge (B).



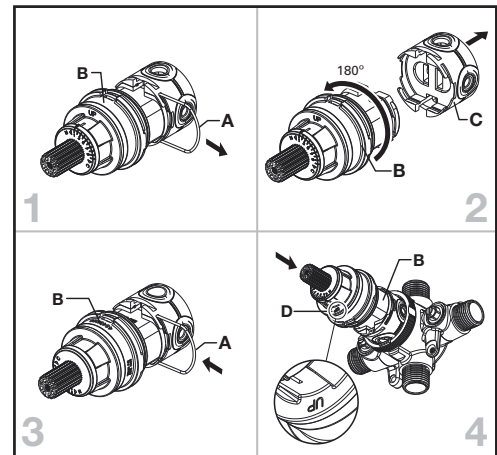
Standard



Back to Back



BACK TO BACK INSTALLATION



7

CARE INSTRUCTIONS

DO: SIMPLY RINSE THE PRODUCT CLEAN WITH CLEAR WATER. DRY WITH A SOFT COTTON FLANNEL CLOTH. **DO NOT:** DO NOT CLEAN THE PRODUCT WITH SOAPS, ACID, POLISH, ABRASIVES, HARSH CLEANERS, OR A CLOTH WITH A COARSE SURFACE.