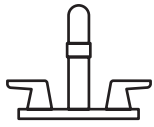


American Standard



American Standard is devoted to making life, in the heart of your home, better every day...

...so, thank you for inviting us in! With the very best in kitchen and bathroom products, we are here to help make your life happier, healthier and simpler. Our commitment to quality, innovation and performance has made us part of your everyday routine for nearly 150 years, and we look forward to being a part of your life for many years to come.

Learn more at www.AmericanStandard.com

REGISTER YOUR WARRANTY

Try the easy-scan **QR code** to quickly enter your information or find your product's detailed warranty here:

www.AmericanStandard.com/warranty



Registering allows you to keep your product information safe, and us the ability to contact you in the event of a product recall or *any* news about your purchase.

And if ever you have a question or need help...?

Call us at 1-855-815-0004

OWNERS MANUAL

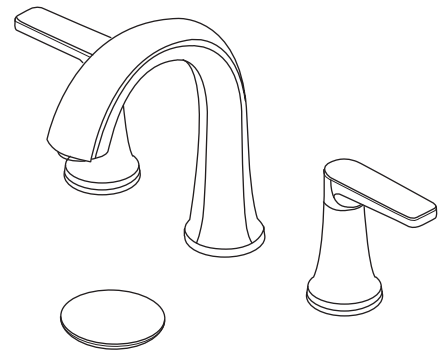
Widespread Lavatory Faucet

7426801 / 7427801 / 7428801

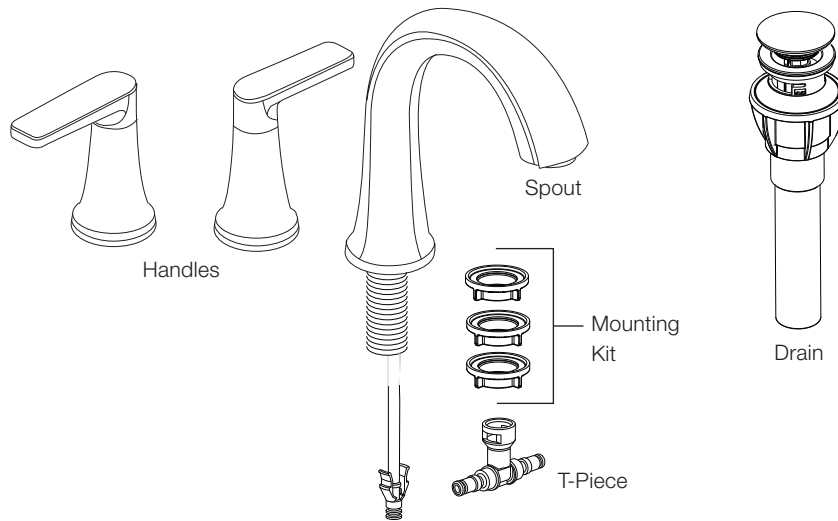
7429801 / 7417801 / 1036970

1037030 / 7012801 / 1036970000

1037030000

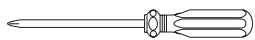


INSIDE THE BOX



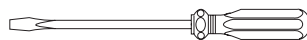
RECOMMENDED TOOLS

Installation steps will indicate which tools should be used with associated letter



Phillips
Screwdriver

A



Flat Blade
Screwdriver

B



Channel
Locks

C



Adjustable
Wrench

D



Plumber's Putty
or Caulking

E

Image shown may vary from product purchased.

American Standard

INSTALLATION INSTRUCTIONS

1

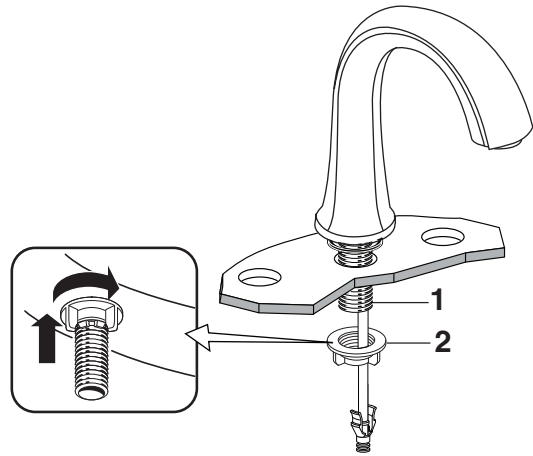
INSTALL SPOUT



Turn off hot and cold water supplies before beginning.

- Insert SPOUT SHANK (1) through the deck.
- Thread MOUNTING NUT (2) on to SHANK (1).

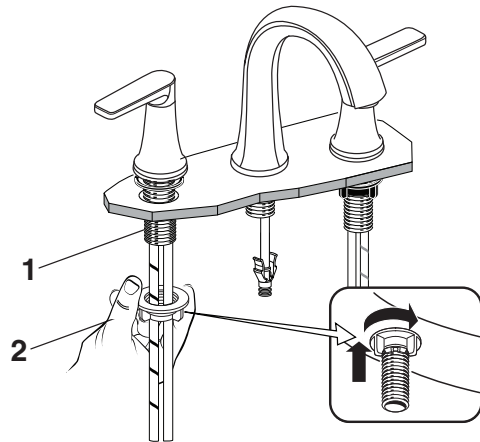
Note: Deck Hole diameter must be 1-1/4" minimum.



2

INSTALL VALVE BODIES

- Insert HANDLE SHANK (1) through the deck.
- Thread MOUNTING NUT (2) on to SHANK (1).
- Repeat the process for the other handle.

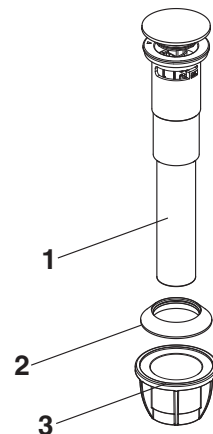


3

INSTALL DRAIN

- Insert DRAIN SHANK (1) through the sink basin.
- Slide RUBBER GASKET (2) on to DRAIN SHANK (1) from below the sink basin.
- Thread MOUNTING NUT (3) on to DRAIN SHANK (1) from below the sink basin and hand tighten.

Note: To operate the drain, push down on the top to toggle it open or closed.



E

4

MAKE WATER SUPPLIES & WASTE CONNECTIONS

- Connect FLEXIBLE SUPPLIES (1, 2) directly to wall supplies.

Note: Connection on fitting supplies are 3/8" (10 mm) compression.

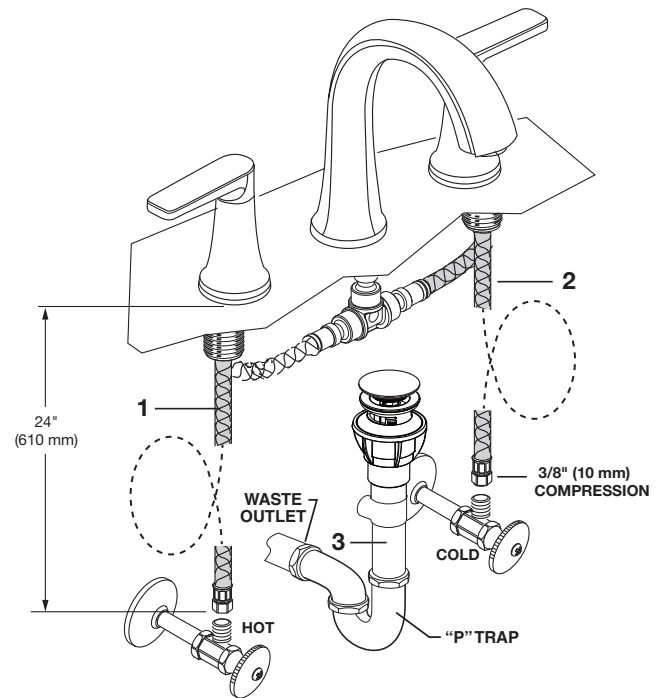
- Connect left SUPPLY (1) to Hot and right supply to COLD (2) wall supply.

Note: Faucet supplies are 24" (610 mm) long from faucet base.

Note: If additional supply length is required, installer must purchase additional parts separately.

Important: If SUPPLY HOSES (1, 2) are too long, loop as illustrated to avoid kinking.

- Connect 1-1/4" O.D. (32 mm) tailpiece on PUSH DRAIN to waste outlet.

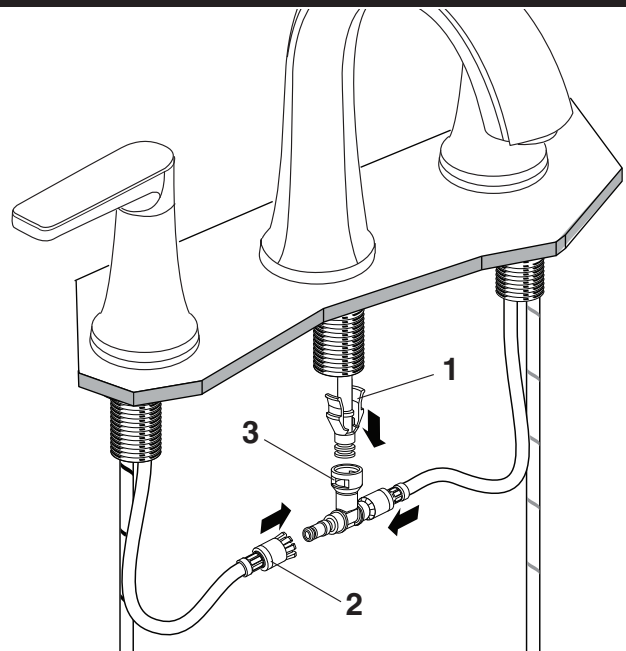


D

5

MAKE FAUCET HOSE CONNECTIONS

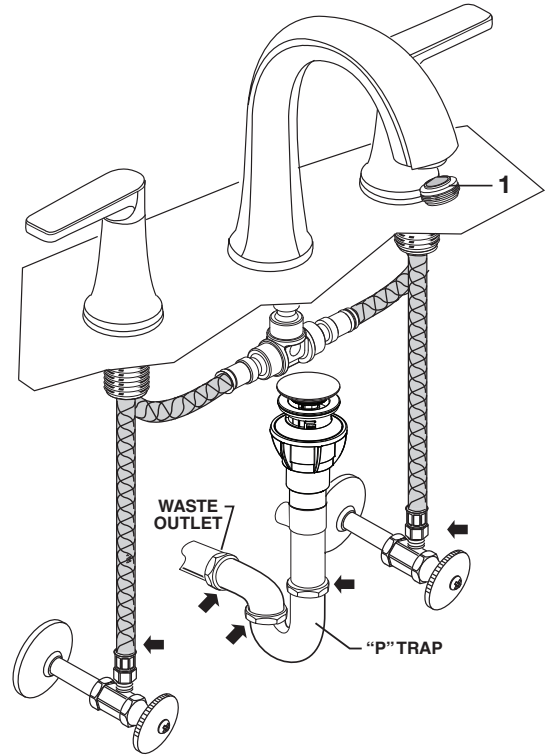
- Push T-CONNECTOR (3) on to BRACKET (1).
- Push SIDE VALVE HOSE (2) on to T-CONNECTOR (3) and slide the hose locking collar towards the T-CONNECTOR (3) to secure the connection. Repeat this for both side valve hoses.



6

TEST INSTALLED FITTING FOR LEAKS

- Remove AERATOR (1) with a coin or similar tool. With handles in OFF position, turn on water supplies and check all connections for leaks.
- Operate both handles to flush water lines thoroughly.
- Reinstall AERATOR (1).



G

7

SERVICE

- Aerator may accumulate dirt and debris causing reduce flow. Unthread the aerator with a coin or similar tool and flush the water lines. Clean and reinstall the aerator.
- To remove the drain stopper for cleaning, rotate counterclockwise and lift up.

8

CARE INSTRUCTIONS

DO: SIMPLY RINSE THE PRODUCT CLEAN WITH CLEAR WATER. DRY WITH A SOFT COTTON FLANNEL CLOTH.

DO NOT: DO NOT CLEAN THE PRODUCT WITH SOAPS, ACID, POLISH, ABRASIVES, HARSH CLEANERS, OR A CLOTH WITH A COARSE SURFACE.

American Standard

TELL US WHAT YOU THINK!

Please leave us a product review or story
at **AmericanStandard.com/reviews**

Find installation videos at
youtube.com/americanstandard

Register your warranty and sign up for an idea-filled newsletter at
AmericanStandard-us.com/support/warranty

PLEASE COMPLETE AMERICAN STANDARD WARRANTY REGISTRATION PROCESS AND SAVE THIS WARRANTY INFORMATION IMPORTANT:

Registration of the sink must be completed for this warranty to become effective. Your registration will make it easier to contact you in the event of a product recall.*

INSTRUCTIONS: Register your sink at www.americanstandard.com. Please save your proof of purchase (sale receipt). If you need assistance or do not have access to our website, please contact American Standard Customer Care at: (800) 442-1902. An American Standard representative will assist in completing the warranty registration.

*In California, your warranty rights remain intact even if you do not complete the registration process.



SHARE YOUR NEW PRODUCT!

Tag us **@american_standard** on Instagram
and show us how your new product looks.

≡ WANT MORE INFO?

For questions or help call us at **855-815-0004**,
or visit **AmericanStandard.com**

UNITED STATES

American Standard Brands
865 Centennial Ave.
Piscataway, New Jersey 08854
Attention: Director of Customer Care
For residents of the United States,
warranty information may also be
obtained by calling the following
toll free number: (855) 815-0004
www.AmericanStandard.com

CANADA

LIXIL Canada, Inc.
5900 Avebury Rd.
Mississauga, Ontario
Canada L5R 3M3
Toll Free: (800) 387-0369
AmericanStandard.ca/support/warranty

MEXICO

American Standard B&K Mexico
S. de R.L. de C.V.
Via Morelos #330
Col. Santa Clara
Ecatepec 55540 Edo. Mexico
Toll Free: 800-839-1200
AmericanStandard.com.mx/garantia

M985137 EN Rev. 1.1 (2/24)

7426801/7427801/7428801/7429801/7417801/1036970/1037030/7012801/1036970000/1037030000

PART OF **LIXIL**

American Standard