

BECAUSE *JUST ADD WATER* IS PRETTY MUCH THE INSTRUCTIONS FOR A WONDERFUL LIFE.

Thank you for buying an American Standard faucet.

We're so grateful you did, and you will be too. Because faucets don't just bring us water—they're called upon to clean up brownie pans, luxuriated under by sleepy not-morning-people, and spit on by teeth-brushing kids. How do we know? Just like you, we've lived with that same beautiful chaos called life for almost 150 years. We believe that while every home should appreciate in value, we never forget the sentimental value that grows from enjoying life in the heart of home—your kitchen and bath. That's why we love your stories and ideas; they help us innovate with products that make your life easier.

Or, visit americanstandard-us.com/bathroom/sink-faucets to watch video, view/download installation manuals or learn more about your product.

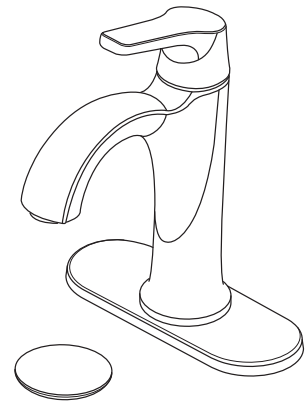
Have a question or need help on install?

For questions or help on installation call us at **855-815-0004**.

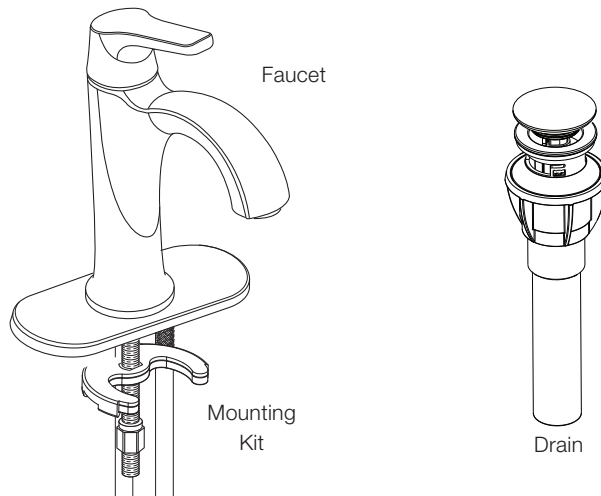
OWNERS MANUAL

Single Lever Lavatory Faucet

7426101 / 7427101 / 7428101
7429101

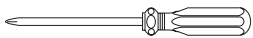


INSIDE THE BOX



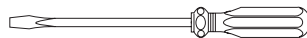
RECOMMENDED TOOLS

Installation steps will indicate which tools should be used with associated letter



Phillips
Screwdriver

A



Flat Blade
Screwdriver

B



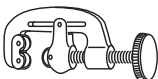
Channel
Locks

C



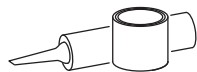
Adjustable
Wrench

D



Tubing Cutter

E



Plumber's Putty
or Caulking

E

Image shown may vary from product purchased.

American Standard

INSTALLATION INSTRUCTIONS

1

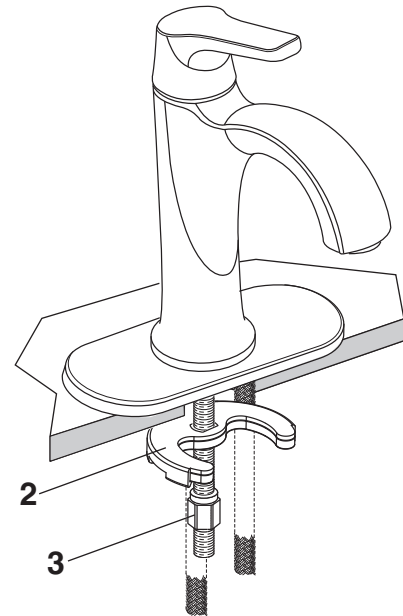
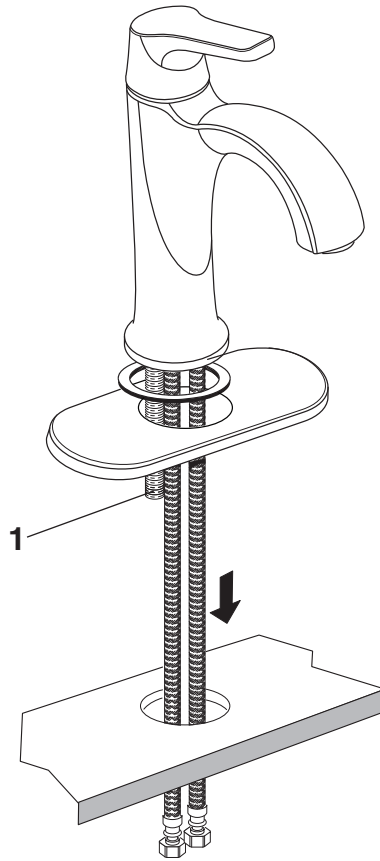
INSTALL FAUCET



Turn off hot and cold water supplies before beginning.

- Insert FAUCET SHANKS (1) through the deck.
- Slide WASHER (2) on to FAUCET SHANK (1) and secure with NUT (3).

Note: Deck Hole diameter must be 1" minimum.



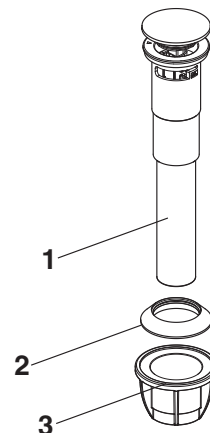
D

2

INSTALL DRAINS

- Insert DRAIN SHANK (1) through the sink basin.
- Slide RUBBER GASKET (2) on to DRAIN SHANK (1) from below the sink basin.
- Thread MOUNTING NUT (3) on to DRAIN SHANK (1) from below the sink basin and hand tighten.

Note: To operate the drain, push down on the top to toggle it open or closed.



3

MAKE WATER SUPPLY & WASTE CONNECTIONS

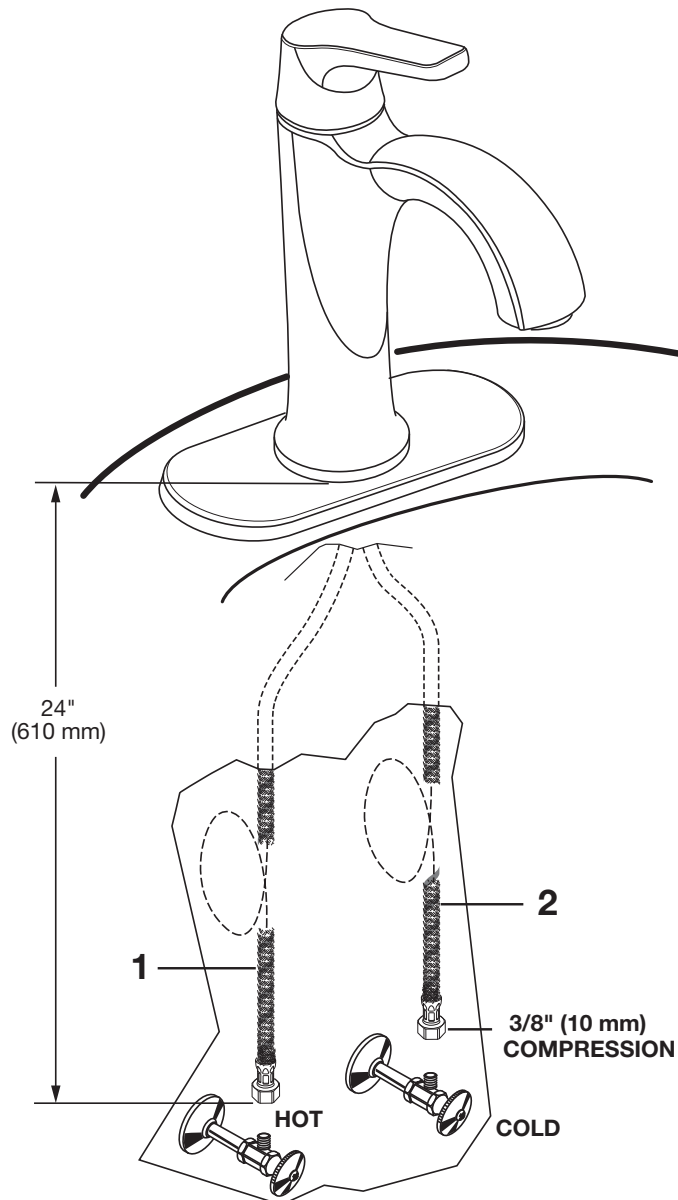
- Connect FLEXIBLE SUPPLIES (1, 2) directly to wall supplies. Connection on fitting supplies are 3/8" (10 mm) compression. Connect left SUPPLY (1) to Hot and right supply to COLD (2) wall supply.

Note: Faucet supplies are 24" (610 mm) long from faucet base.

Note: If additional supply length is required, installer must purchase additional parts separately.

Important: If SUPPLY HOSES (1, 2) are to long, loop as illustrated to avoid kinking.

- Connect 1-1/4" O.D. (32 mm) tailpiece on PUSH DRAIN to waste outlet.



D

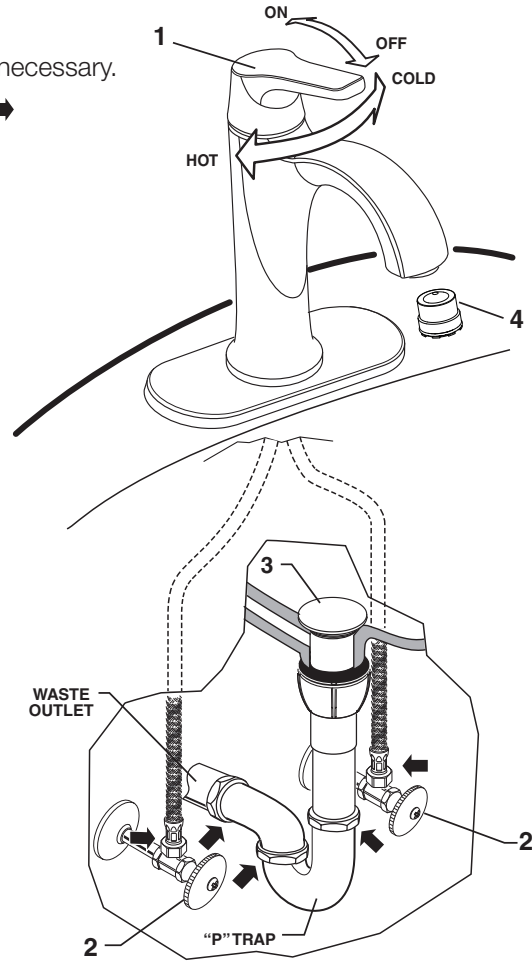
4

TEST INSTALLED FITTING

- Move HANDLE (1) into “off” position.
- Remove AERATOR (4) with a coin or similar tool and clean if necessary.
- Turn on water supplies and check all connections for leaks. ➡

CHECK DRAIN CONNECTIONS

- Check that DRAIN STOPPER (3) makes a good seal.
- Check all drain connections and “P” trap for leaks. ➡ Tighten if necessary.



5

SERVICE

- Aerator may accumulate dirt and debris causing reduce flow. Unthread the aerator with a coin or similar tool and flush the water lines. Clean and reinstall the aerator.
- To remove the drain stopper for cleaning, rotate counterclockwise and lift up.

6

CARE INSTRUCTIONS

DO: SIMPLY RINSE THE PRODUCT CLEAN WITH CLEAR WATER. DRY WITH A SOFT COTTON FLANNEL CLOTH.

DO NOT: DO NOT CLEAN THE PRODUCT WITH SOAPS, ACID, POLISH, ABRASIVES, HARSH CLEANERS, OR A CLOTH WITH A COARSE SURFACE.

TELL US WHAT YOU THINK!

★ Please leave us a product review or story at **americanstandard.com/reviews**



Happy I purchased this faucet

08/22/2019 00:04:41 CDT American Standard [Kitchen Faucets](#) [Xavier SelectFlo Pull-Down Kitchen Faucet](#)

I enjoy the SelectFlo pull-down kitchen faucet with three spray patterns. It's a great fit, finish and overall quality has been excellent.

Register your warranty and sign up for an idea-filled newsletter at **americanstandard.com/warranty**.

Find installation videos at **youtube.com/americanstandard**.



SHARE YOUR NEW PRODUCT!

Tag us **@american_standard** on Instagram and show us how your new product looks.

≡ WANT MORE INFO?

For questions or help call us at **855-815-0004**, or visit **americanstandard.com**