

BECAUSE *JUST ADD WATER* IS PRETTY MUCH THE INSTRUCTIONS FOR A WONDERFUL LIFE.

Thank you for buying American Standard products.

We're so grateful you did, and you will be too. Because let's face it, fans get rowdy; shoppers and travelers are impatient; and school children are, well, unpredictable. How do we know? For almost 150 years we've gotten to know the high-traffic bathroom better than anyone else out there. We understand that even the most talented plumbers have no control over what happens day in and day out, and that our toilets, urinals, sinks and faucets need to stand up to whatever comes their way.

That's why we appreciate your stories and ideas; they help us innovate with products that make your life easier.

NOTE TO INSTALLER: Please give this manual to the customer after installation.

To learn more about American Standard Selectronic® Products visit our website at:
www.americanstandard-us.com or e-mail us at: sensor@lixil.com

**For Parts, Service, Warranty or other Assistance,
please call (844) CRT-TEAM / (844) 278-8326 (In Canada: 1-800-387-0369)
(In Toronto Area only: 1-905-306-1093)**



Or, visit americanstandard-us.com/bathroom/sink-faucets
to watch video, view/download installation manuals
or learn more about your product.

Have a question or need help on install?

For questions or help on installation call us at **855-815-0004**.

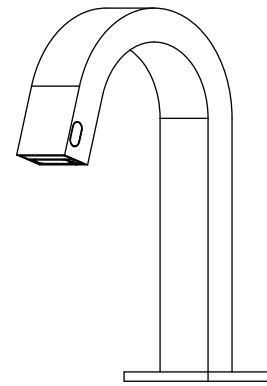
M985130 SKU# 7762.112 / 776B.112 EN (9/21)

American Standard

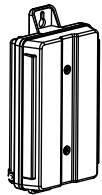
OWNERS MANUAL

Touchless Faucet with Soap Dispenser

7762.112 / 776B.112

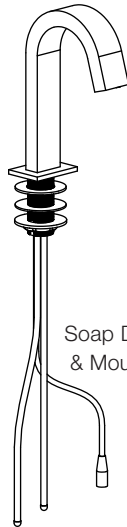


INSIDE THE BOX

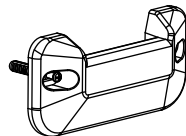


Battery Pack

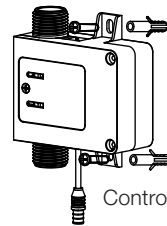
(Only with Battery-Powered Option)



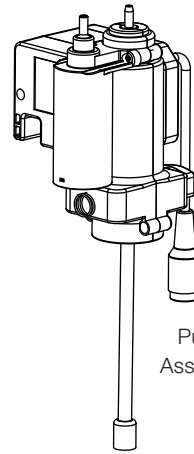
Soap Dispenser & Mounting Kit



Control Box Pendant



Control Box



Pump Assembly



Soap Bottle

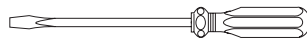
RECOMMENDED TOOLS

Installation steps will indicate which tools should be used with associated letter



Phillips Screwdriver

A



Flat Blade Screwdriver

B



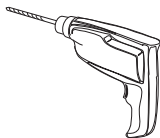
Channel Locks

C



Adjustable Wrench

D



Drill

E



Level

F



Teflon Tape

G

Image shown may vary from product purchased.

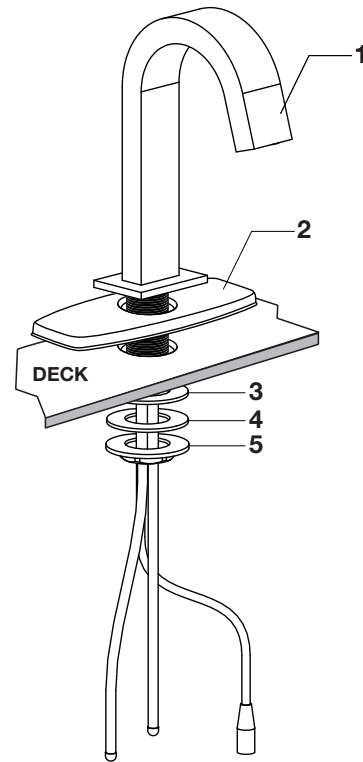
American Standard

INSTALLATION INSTRUCTIONS

1

INSTALL SPOUT

- (Optional) Insert the SPOUT and HOSES (1) through the DECK PLATE (2).
- Insert the SPOUT and HOSES (1) through the deck hole.
NOTE: Deck thickness - 8 mm to 50 mm
NOTE: Deck hole diameter - 25 mm to 28 mm
- Install RUBBER WASHER (3) and METAL WASHER (4).
- Thread the MOUNTING NUT (5) on to the shank and tighten to secure the faucet.

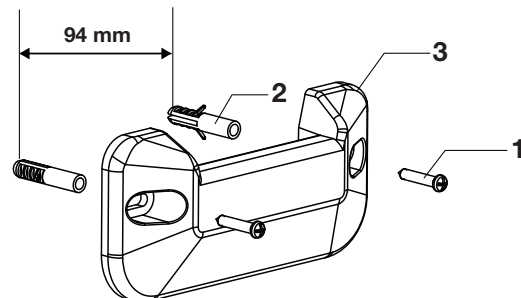


C

2

INSTALL CONTROL BOX PENDANT

- Drill holes in the wall under the sink 94 mm apart.
NOTE: Recommended height is 350 mm above the floor to avoid interference with the soap bottle and 300 mm below the counter top to provide overhead clearance for installing the control box.
- **OPTIONAL:** Use DRY WALL ANCHORS (2) if applicable.
- Thread the SCREWS (1) through the CONTROL BOX PENDANT (3) and in to the wall to secure it.



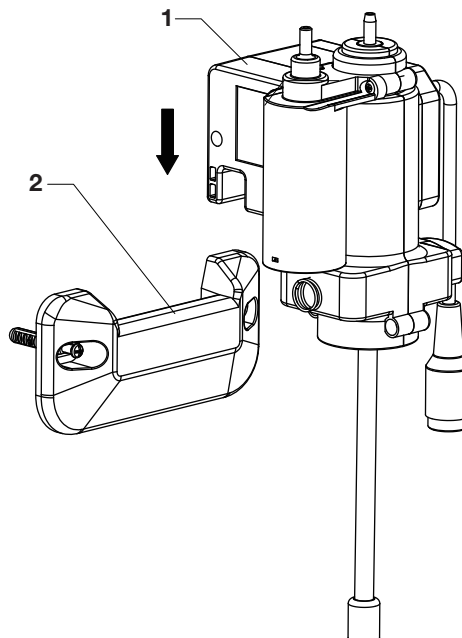
A E F

American Standard

3

INSTALL CONTROL BOX

- Insert the PUMP ASSEMBLY (1) in to the CONTROL BOX PENDANT (2).



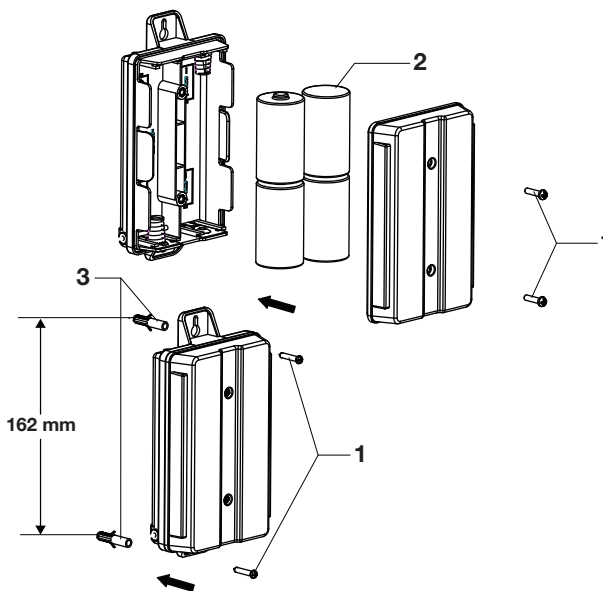
4

INSTALL BATTERY PACK



For DC powered Soap Dispensers only.

- Unscrew the SCREWS (1) on the battery pack.
- Insert four BATTERIES (2) and reinstall the battery pack cover.
- Drill holes in the wall under the sink 162 mm apart.
NOTE: the battery pack can be used as a hole template.
- **NOTE:** Recommended height is 350 mm above the floor.
- **OPTIONAL:** Use DRY WALL ANCHORS (3) if applicable.
- Thread the SCREWS (1) through the battery pack and in to the wall to secure it.



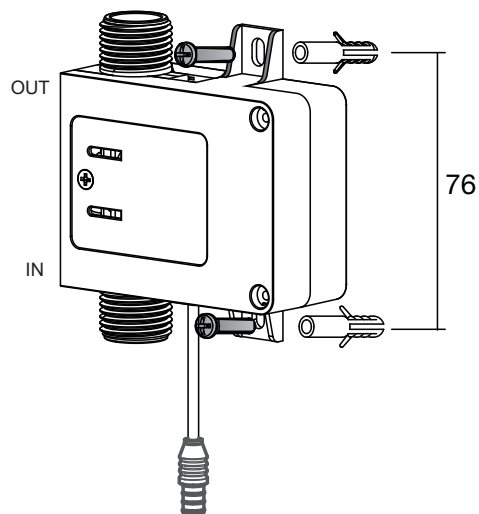
A

E

5

INSTALL CONTROL BOX

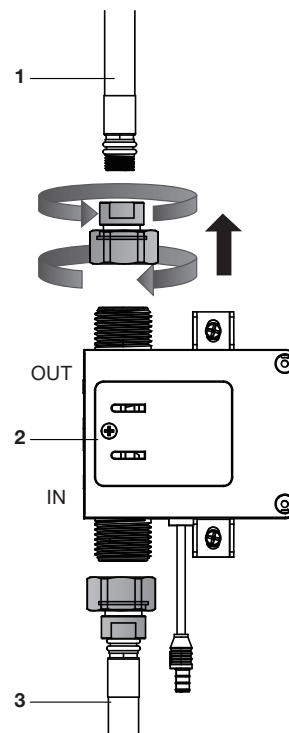
- Drill holes in the wall under the sink 76mm apart
NOTE: The Control Box Assembly can be used as a hole template.
NOTE: This should be installed in a location in which the water supply hose from the faucet can easily be attached.
OPTIONAL: Use the provided dry wall anchors if applicable.
- Thread the screws through the Control Box Assembly and in to the wall to secure it



6

CONNECT HOSES TO CONTROL BOX

- Thread the FAUCET WATER SUPPLY HOSE (1) on to the CONTROL BOX ASSEMBLY (2). Teflon tape is recommended for this connection.
- Connect the water supply hose (3) to the control box assembly (2) and to the water supply pipe.



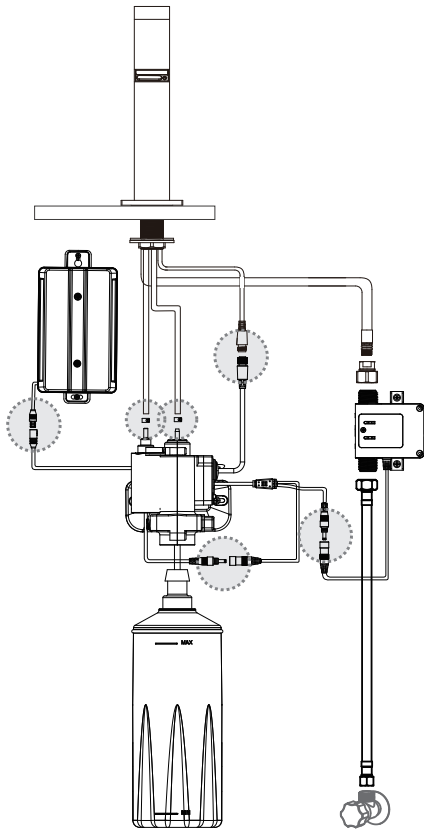
G

7A

CONNECT WIRING



For DC powered Soap Dispensers only.



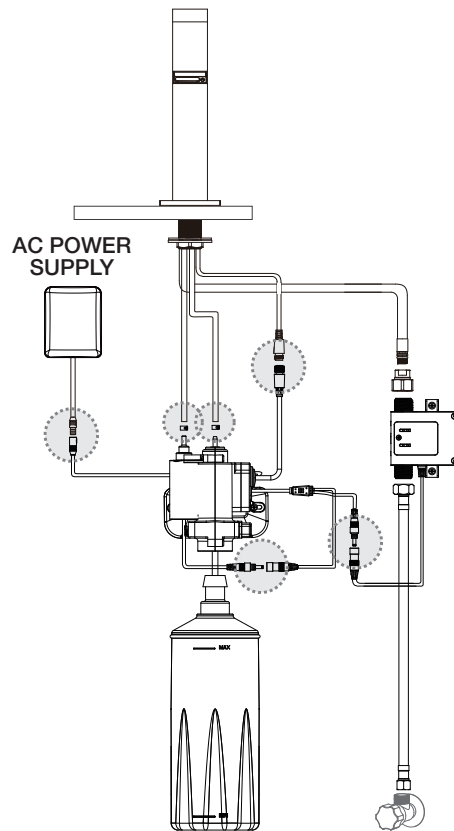
- Connect the wiring as shown in the image.
- Install the SOAP BOTTLE (1) on to the PUMP ASSEMBLY (2).

7B

CONNECT WIRING



For AC powered Soap Dispensers only.



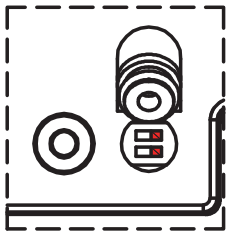
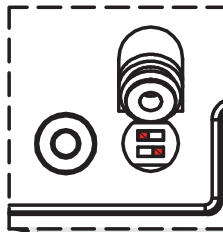
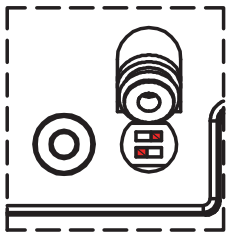
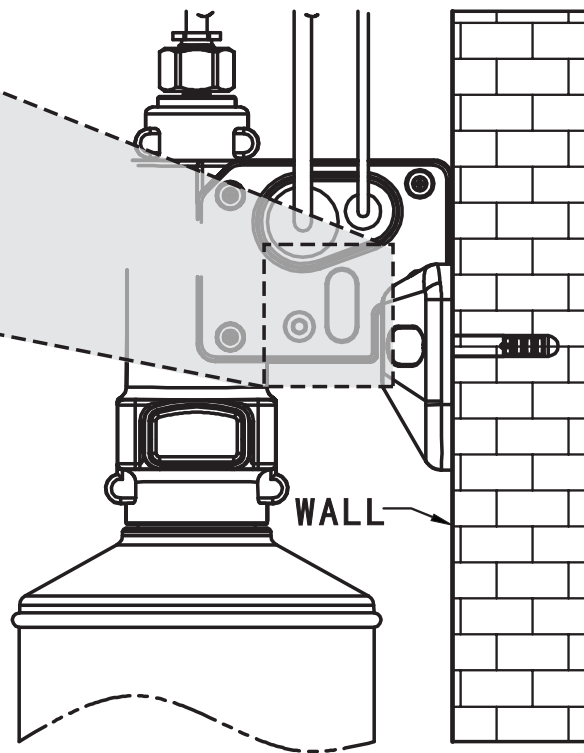
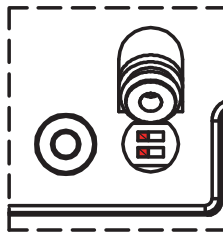
- Connect the wiring as shown in the image.
- Install the SOAP BOTTLE (1) on to the PUMP ASSEMBLY (2).

INITIALIZE SOAP DISPENSER

- Fill the soap bottle with liquid soap.
- Press and hold the dispenser button on the pump assembly. Release when soap begins to dispense from the spout.
- Activate the soap dispenser by placing hand in front of the spout tip.

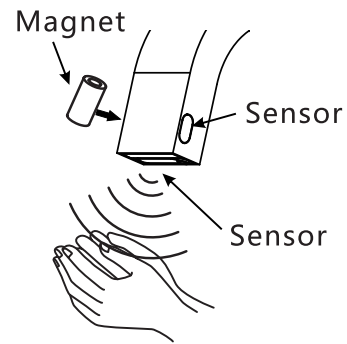
NOTE: It has four soap dispense volume adjustment:

1. Low
2. Medium
3. High
4. Extra High

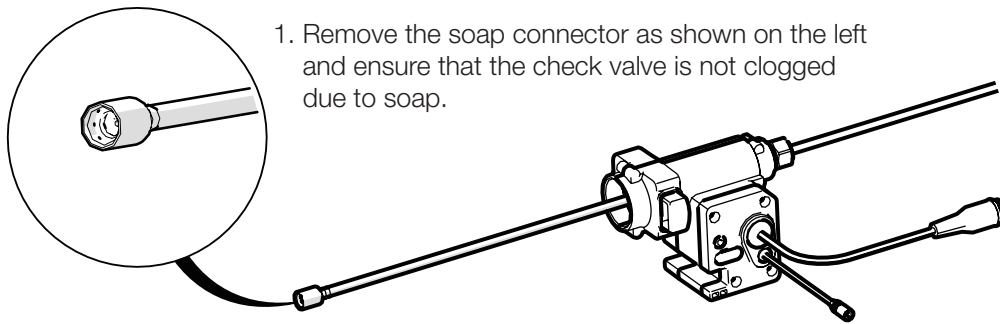
Low Volume**Medium Volume****High Volume****Extra High Volume**

Sensor Adjustment:

- Move a magnet close to the sensor at the top of the faucet. An LED light will flash continuously during the adjustment. When the light stops flashing, the sensor is now adjusted to its surroundings and should operate normally when a hand/object is moved within the sensor range.

**Pump Maintenance:**

- The soap pump may not be able to pump any liquid due to the machine being idle or the soap being completely depleted before replacing the bottle.



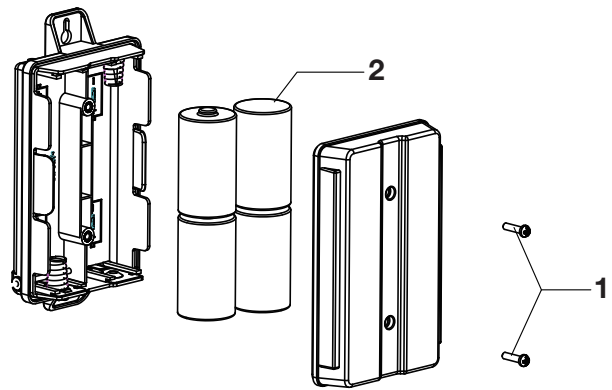
1. Remove the soap connector as shown on the left and ensure that the check valve is not clogged due to soap.

2. Place the controller leveled, connect the power supply and press the start button on the controller. After starting the motor to fill the gear pump with liquid, the controller can be installed back into the soap bottle for normal use.

Replacing Batteries:

For DC powered Soap Dispensers only.

- Replace the batteries when a light in the sensor window blinks.
- Unscrew the SCREWS (1) on the battery pack.
- Insert four BATTERIES (2) and reinstall the battery pack cover.



A

Refilling Soap:

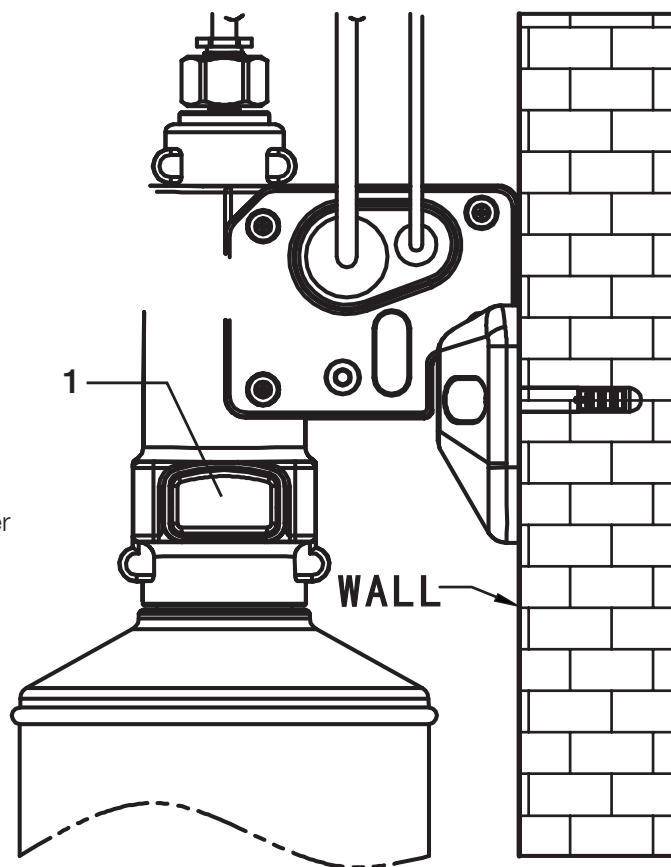
- Refill the soap bottle when the soap reaches 20 mm from the bottom of the bottle. Do not let it completely deplete.
- Press the BUTTON (1) to unlock the soap bottle.

Note: Hold the soap bottle when unlocking it as the soap bottle detaches quickly.

- Clean the soap bottle periodically with water to prevent buildup.
- Do not use abrasive soaps with particles as this can lead to clogs.
- Push the refilled soap bottle back in to the locking mechanism.

Recommended Soap:

- Ecolab®, GoJo®, Cleaning Revolution® or other foam soap with viscosity between 1 - 20 cps



Troubleshooting

SYMPTOMS	PROBABLE CAUSE	RECOMMENDED ACTION
An LED light flashes at the base of the soap dispenser twice every 2-3 seconds.	Low battery is out of power (lower than 3.9 volts)	Replace the batteries and prime the soap dispenser
No soap dispenses.	The sensor lens is dirty	Wipe the sensor lens with a clean, dry, soft cloth
	The sensor cable is disconnected	Reconnect the sensor cable
	The tube (soap and air) is disconnected	Reconnect the tube to the control box
	No power supply or wrong connection	Check the power supply connection
	The soap pump is not primed after refilling	Prime the pump
	The dispensing tube/check valve is blocked	Clean the dispensing tube/check valve with warm water
Insufficient amount of soap dispensed.	The nozzle is clogged	Remove the nozzle and foaming assembly. Clean with warm water
	The check valve is clogged	Remove the check valve from dispensing tube. Clean with warm water
	The soap pump is not working correctly	Order and install a new soap pump
Only air bubbles are dispensing.	The soap pump outlet is clogged	Remove the soap pump tubing
	The soap pump is leaking	Order and install a new soap pump
No foam is dispensing. Only liquid soap is dispensing.	The air pump is disconnected	Check the air pump connection and reconnect the tube to the control box
	The air pump/tube is clogged	Remove the air pump tubing. Clean the air pump outlet with warm water
	The air pump is not working	Order and install a new air pump

TELL US WHAT YOU THINK!

★ Please leave us a product review or story at **americanstandard.com/reviews**



Happy I purchased this faucet

08/22/2019 00:04:41 CDT American Standard [Kitchen Faucets](#) [Xavier SelectFlo Pull-Down Kitchen Faucet](#)

I enjoy the SelectFlo pull-down kitchen faucet with three spray patterns. It's a great fit, finish and overall quality has been excellent.

Register your warranty and sign up for an idea-filled newsletter at **americanstandard.com/warranty**.

Find installation videos at **youtube.com/americanstandard**.

SHARE YOUR NEW PRODUCT!

Tag us **@american_standard** on Instagram and show us how your new product looks.

WANT MORE INFO?

For questions or help call us at **855-815-0004**, or visit **americanstandard.com**