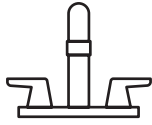


# American Standard

---



---

**American Standard is devoted to making life, in the heart of your home, better every day...**

...so, thank you for inviting us in! With the very best in kitchen and bathroom products, we are here to help make your life happier, healthier and simpler. Our commitment to quality, innovation and performance has made us part of your everyday routine for nearly 150 years, and we look forward to being a part of your life for many years to come.

**Learn more at [www.AmericanStandard.com](http://www.AmericanStandard.com)**

## **REGISTER YOUR WARRANTY**

Try the easy-scan **QR code** to quickly enter your information or find your product's detailed warranty here:

**[www.AmericanStandard.com/warranty](http://www.AmericanStandard.com/warranty)**



Registering allows you to keep your product information safe, and us the ability to contact you in the event of a product recall or *any* news about your purchase.

**And if ever you have a question or need help...?**

Call us at 1-855-815-0004

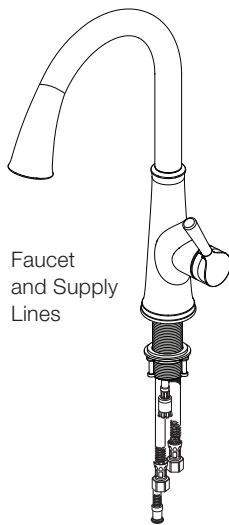
# OWNERS MANUAL

## Renate Pulldown Kitchen Faucet

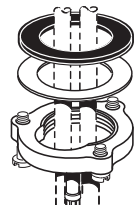
9319310



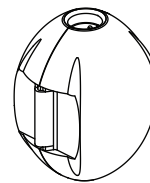
### INSIDE THE BOX



Faucet  
and Supply  
Lines



Mounting Kit



Weight

### RECOMMENDED TOOLS

Installation steps will indicate which tools should be used with associated letter



Phillips  
Screwdriver

**A**



Channel  
Locks

**B**



Adjustable  
Wrench

**C**



### BEFORE INSTALLING YOUR FAUCET

Turn off hot and cold water supplies before beginning.

Image shown may vary from product purchased.

*American Standard*

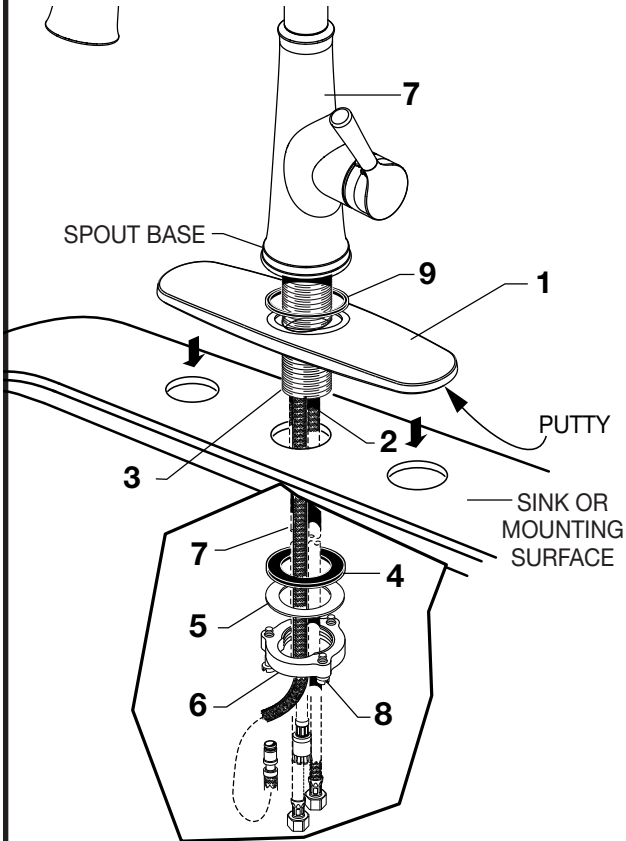
# INSTALLATION INSTRUCTIONS

1

## INSTALL WITH ESCUTCHEON



Turn off hot and cold water supplies before beginning.

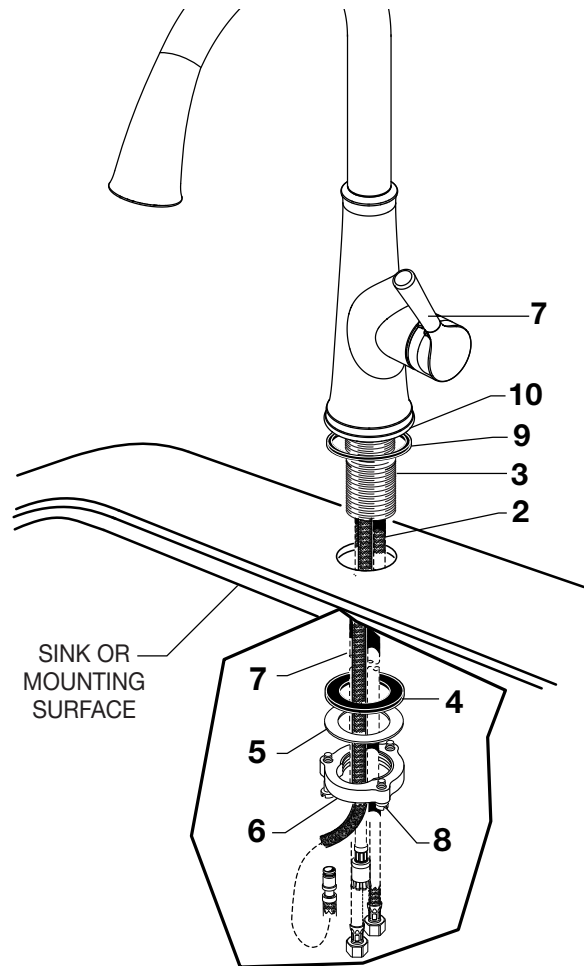


- Apply a bead of putty to bottom edge of ESCUTCHEON with PUTTY PLATE (1). Make certain the SEAL (9) is properly seated in recess of faucet body. Insert SUPPLY HOSES (2), SPRAY HOSE (7) and SHANK (3) through hole of ESCUTCHEON with PUTTY PLATE (1) and mounting surface. Follow mounting instructions below to secure faucet to mounting surface.
- Insert HOSES (2) through RUBBER WASHER (4), BRASS WASHER (5), and threaded LOCKNUT (6).
- Assemble RUBBER WASHER (4), BRASS WASHER (5), and threaded LOCKNUT (6) onto SHANK (3) from underside of sink or mounting surface. Hand tighten LOCKNUT (6).
- Use a screwdriver to tighten SCREWS (8) on LOCKNUT (6). Work your way around LOCKNUT (6), tightening the screws slightly each time until all are snug to ensure even pressure.

A

1A

## INSTALL WITHOUT ESCUTCHEON



- Discard ESCUTCHEON with PUTTY PLATE (1). Make certain the SEAL (9) is properly seated in recess of RING BASE (10). Insert supply HOSES (2), SPRAY HOSE (7) and SHANK (3) through mounting hole and seat RING BASE (10) onto sink or mounting surface. Do not use putty.
- Insert HOSES (2) through RUBBER WASHER (4), BRASS WASHER (5), and threaded LOCKNUT (6).
- Assemble RUBBER WASHER (4), BRASS WASHER (5), and threaded LOCKNUT (6) onto SHANK (3) from underside of sink or mounting surface. Hand tighten LOCKNUT (6).
- Use a screwdriver to tighten SCREWS (8) on LOCKNUT (6). Work your way around LOCKNUT (6), tightening the screws slightly each time until all are snug to ensure even pressure.

A

2

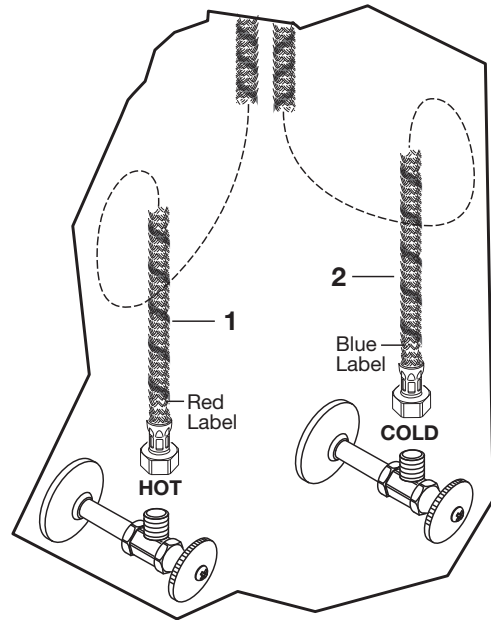
## MAKE WATER SUPPLY CONNECTIONS



**Turn off hot and cold water supplies before beginning.**

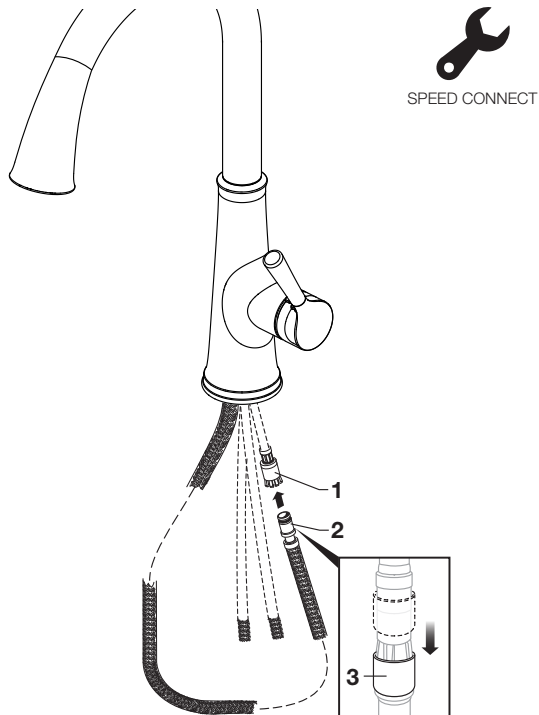
- Connect FLEXIBLE SUPPLY HOSES (1, 2) directly to wall supplies. Connection on fitting supplies are 3/8" compression. Connect the supply hose with the red label to the Hot wall supply. Connect the supply hose with the blue label to the Cold wall supply. Use an adjustable wrench to tighten connections. Do not over tighten.
- \* Faucet supplies are 38" long from faucet base.
- **Note: If additional supply length is required, installer must purchase additional parts separately.**
- **Important: If SUPPLY HOSES (1, 2) are too long, loop as illustrated to avoid kinking.**

C



3

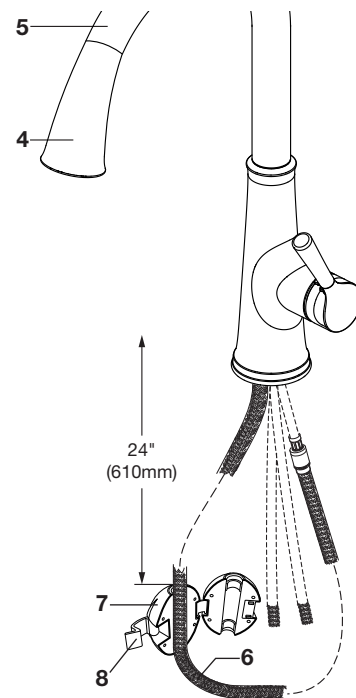
## CONNECT SPRAY HOSE



- Push the SPRAY HOSE END (2) into the HOSE CONNECTOR (1) slide down LOCKING COLLAR (3) until it snaps into place to secure connection.

4

## INSTALL WEIGHT



- With SPRAY HEAD (4) seated in SPOUT (5), install WEIGHT (7) onto HOSE (6) 24 inches from the underside of the sink deck and secure with LATCH (8).

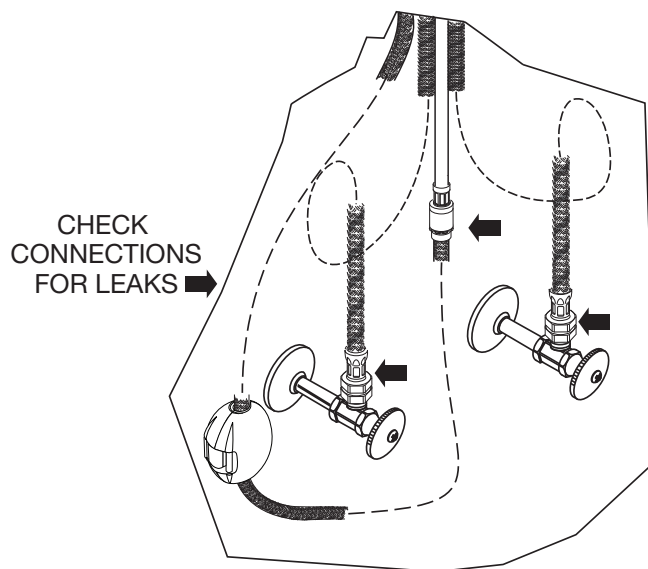
**NOTE:** there is a label on the hose indicating weight placement.

*American Standard*

## 5

### CHECK CONNECTIONS FOR LEAKS

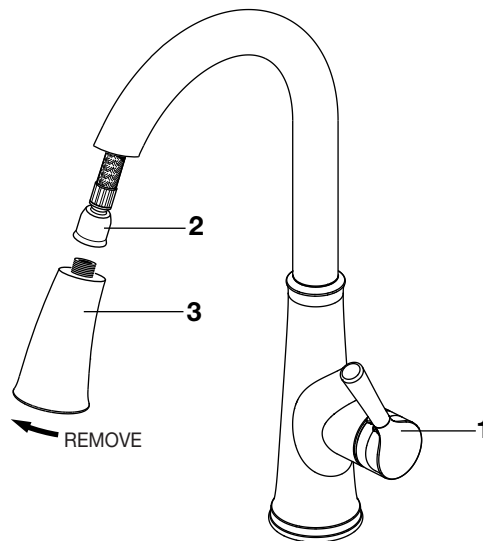
- Move HANDLE into “off” position.
- Turn on water supplies and check connections for leaks.
- Operate HANDLE up and down, left and right to flush lines thoroughly.
- Operate SPRAY HEAD and check connections for leaks.



## 6

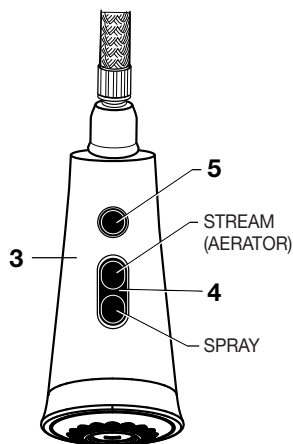
### TEST INSTALLED FAUCET

- Move HANDLE (1) into “off” position.
- Turn on water supplies.
- With HANDLE (1) in “off” position, unthread SPRAY (3) from HOSE (2).
- Operate handle back to front, in COLD and HOT positions, to flush water lines thoroughly.
- Thread SPRAY HEAD (3) onto HOSE (2).



#### SPRAY OPERATION

- With faucet on press TOGGLE BUTTON (4) on SPRAY (3) to switch from stream to spray.
- Press and hold PAUSE BUTTON (5) to temporarily stop flow from SPRAY (3). Release PAUSE BUTTON (5) to resume flow from SPRAY (3).



## 7

## SERVICE



**Turn off hot and cold water supplies before beginning.**

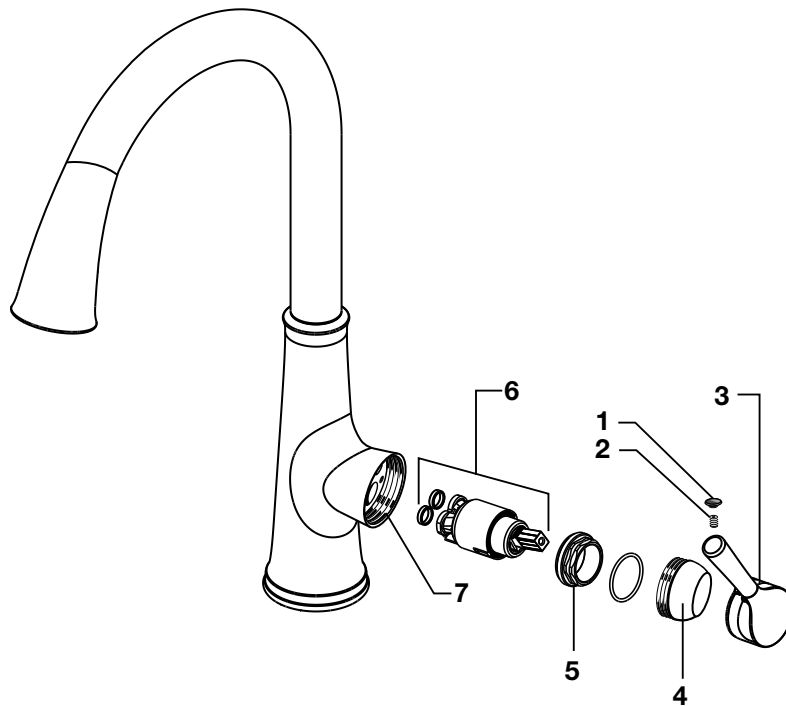
If faucet drips, operate HANDLE several times from “off” to “on.” Do not apply excessive force.

**Clogged CARTRIDGE outlets or inlets may cause reduced flow.**

- Remove INDEX BUTTON (1), loosen HANDLE SCREW (2) and remove HANDLE (3).
- Remove the HANDLE CAP (4). Unthread the PLASTIC NUT (5).
- Lift CARTRIDGE (6) off MANIFOLD (7).
- Clean MANIFOLD (7) and CARTRIDGE (6) ports.
- Place CARTRIDGE (6) onto MANIFOLD (7) and tighten MOUNTING SCREWS (5) alternately.
- Replace ESCUTCHEON CAP (4), HANDLE (3), tighten HANDLE SCREW (2) and install INDEX BUTTON (1).

**Clogged AERATOR may cause reduced flow:**

- Unthread the AERATOR (8) with a coin or flat head screwdriver and clean it of any debris.
- Allow water to run through the faucet with no aerator to flush the hoses.
- Reinstall AERATOR (8).



## 8

## CARE INSTRUCTIONS

**DO:** SIMPLY RINSE THE PRODUCT CLEAN WITH CLEAR WATER. DRY WITH A SOFT COTTON FLANNEL CLOTH. **DO NOT:** DO NOT CLEAN THE PRODUCT WITH SOAPS, ACID, POLISH, ABRASIVES, HARSH CLEANERS, OR A CLOTH WITH A COARSE SURFACE.

# TELL US WHAT YOU THINK!

Please leave us a product review or story  
at **AmericanStandard.com/reviews**

Find installation videos at  
**youtube.com/americanstandard**

Register your warranty and sign up for an idea-filled newsletter at  
**AmericanStandard-us.com/support/warranty**

**PLEASE COMPLETE AMERICAN STANDARD WARRANTY REGISTRATION PROCESS AND  
SAVE THIS WARRANTY INFORMATION IMPORTANT:**

Registration of the sink must be completed for this warranty to become effective. Your registration will make it easier to contact you in the event of a product recall.\*

**INSTRUCTIONS:** Register your sink at [www.americanstandard.com](http://www.americanstandard.com). Please save your proof of purchase (sale receipt). If you need assistance or do not have access to our website, please contact American Standard Customer Care at: (800) 442-1902. An American Standard representative will assist in completing the warranty registration.

\*In California, your warranty rights remain intact even if you do not complete the registration process.



## SHARE YOUR NEW PRODUCT!

Tag us **@american\_standard** on Instagram  
and show us how your new product looks.

## ≡ WANT MORE INFO?

For questions or help call us at **855-815-0004**,  
or visit **AmericanStandard.com**

**UNITED STATES**

American Standard Brands  
865 Centennial Ave.  
Piscataway, New Jersey 08854  
Attention: Director of Customer Care  
For residents of the United States,  
warranty information may also be  
obtained by calling the following  
toll free number: (855) 815-0004  
[www.AmericanStandard.com](http://www.AmericanStandard.com)

**CANADA**

LIXIL Canada, Inc.  
5900 Avebury Rd.  
Mississauga, Ontario  
Canada L5R 3M3  
Toll Free: (800) 387-0369  
[AmericanStandard.ca/support/warranty](http://AmericanStandard.ca/support/warranty)

**MEXICO**

American Standard B&K Mexico  
S. de R.L. de C.V.  
Via Morelos #330  
Col. Santa Clara  
Ecatepec 55540 Edo. Mexico  
Toll Free: 800-839-1200  
[AmericanStandard.com.mx/garantia](http://AmericanStandard.com.mx/garantia)

M985121 EN (1/24)  
9319310

PART OF **LIXIL**

*American Standard*