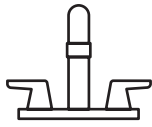


American Standard



**American Standard is devoted to making life,
in the heart of your home, better every day...**

...so, thank you for inviting us in! With the very best in kitchen and bathroom products, we are here to help make your life happier, healthier and simpler. Our commitment to quality, innovation and performance has made us part of your everyday routine for nearly 150 years, and we look forward to being a part of your life for many years to come.

Learn more at www.AmericanStandard.com

REGISTER YOUR WARRANTY

Try the easy-scan **QR code** to quickly enter your information or find your product's detailed warranty here:

www.AmericanStandard.com/warranty



Registering allows you to keep your product information safe, and us the ability to contact you in the event of a product recall or *any* news about your purchase.

And if ever you have a question or need help...?

Call us at 1-855-815-0004

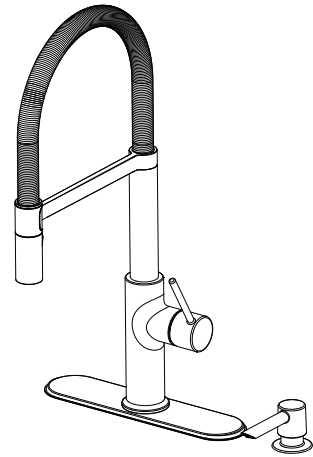
OWNERS MANUAL

Semi-Professional Kitchen Faucet

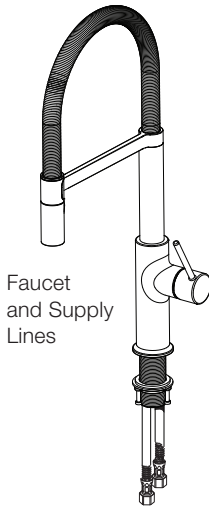
7425352 / 9322352 / 7424351 / 7425351

9322351 / 104882XXX0

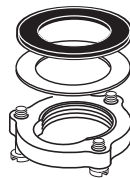
Image shown may vary from product purchased.



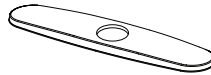
INSIDE THE BOX



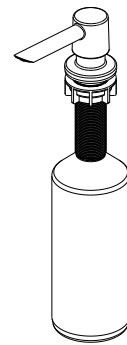
Faucet and Supply Lines



Mounting Kit



Deck Plate
Available only for SKU
7424351/7425351/9322351



Soap Dispenser

RECOMMENDED TOOLS

Installation steps will indicate which tools should be used with associated letter



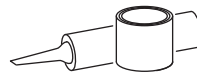
Phillips
Screwdriver

A



Flat Blade
Screwdriver

B



Plumber's Putty
or Caulking

C



Adjustable
Wrench

D



BEFORE INSTALLING YOUR FAUCET

Turn off hot and cold water supplies before beginning.

American Standard®, the American Standard logo and all associated product names are exclusively owned by AS America, Inc., and are registered or unregistered trademarks in the U.S. and internationally. © 2024 AS America, Inc. All rights reserved.

American Standard

INSTALLATION INSTRUCTIONS

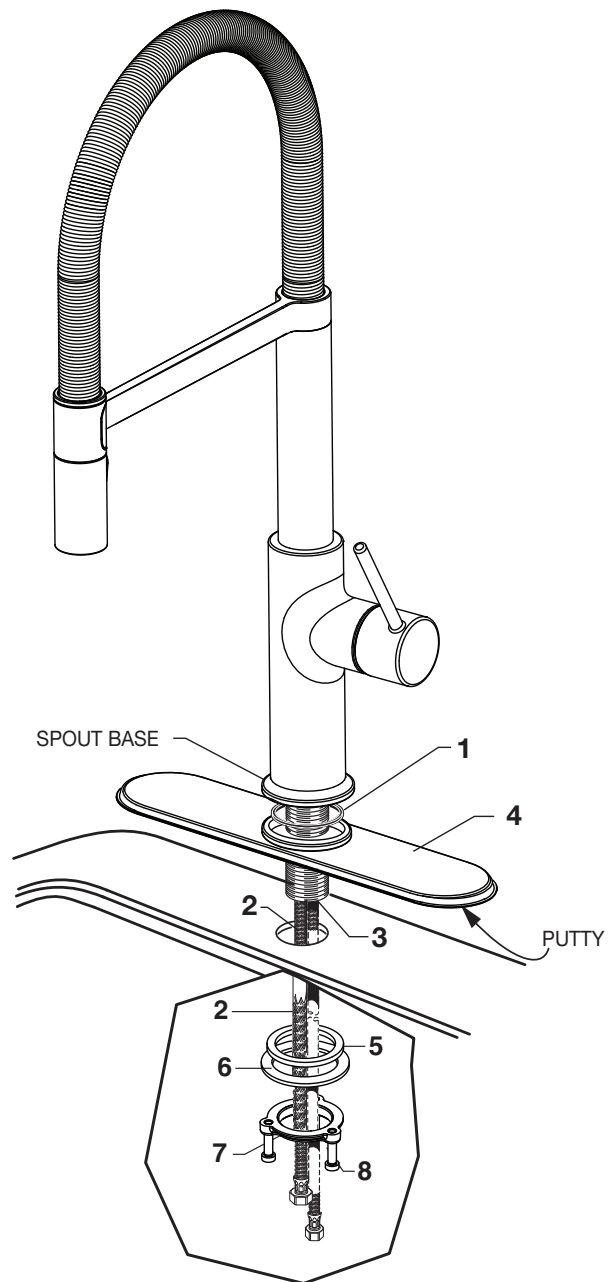
1

INSTALL FAUCET



Turn off water at main supply.

- Make certain the SEAL (1) is properly seated in recess of spout base.
- Insert all HOSES (2) and SHANK (3) through ESCUTCHEON (4) and mounting surface. Do not use putty.
- Insert HOSES (2) through RUBBER WASHER (5), BRASS WASHER (6), and threaded LOCKNUT (7).
- Assemble RUBBER WASHER (5), BRASS WASHER (6), and threaded LOCKNUT (7) onto SHANK (3) from underside of sink or mounting surface. Hand tighten LOCKNUT (7).
- Use a screwdriver to tighten SCREWS (8) on LOCKNUT (7). Work your way around LOCKNUT (7), tightening the screws slightly each time until all are snug to ensure even pressure.



A

C

2

MAKE WATER SUPPLY CONNECTIONS

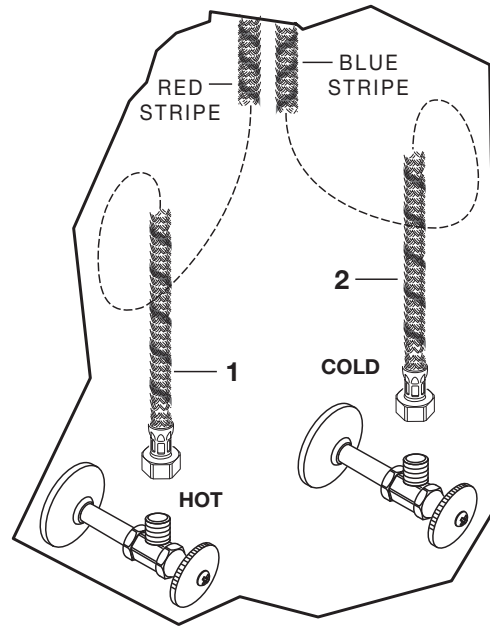


Turn off hot and cold water supplies before beginning.

- Turn off hot and cold water supplies before beginning.
- Connect FLEXIBLE SUPPLY HOSES (1, 2) directly to wall supplies. Connection on fitting supplies are 3/8" compression. Connect left supply hose (Red Stripe) to Hot wall supply. Connect right supply hose (Blue Stripe) to Cold wall supply. Use adjustable wrench to tighten connections. Do not over tighten.

* Faucet supplies are 21" long from faucet base.

- **Note: If additional supply length is required, installer must purchase additional parts separately.**
- **Important: If SUPPLY HOSES (1, 2) are too long, loop as illustrated to avoid kinking.**



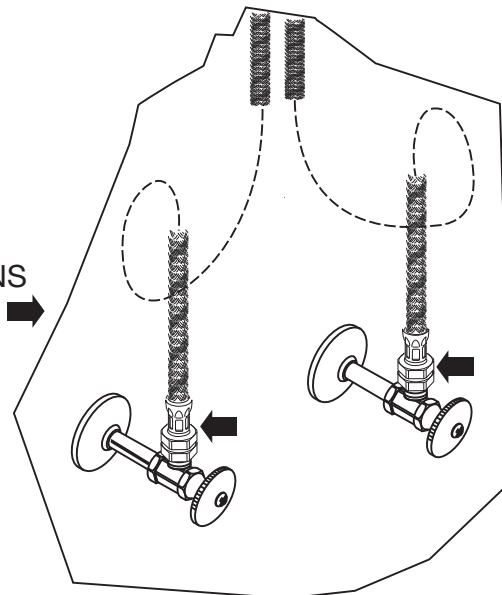
D

3

CHECK CONNECTIONS FOR LEAKS

- Move HANDLE into "off" position.
- Turn on water supplies and check connections for leaks. ➡
- Operate HANDLE up and down, left and right to flush lines thoroughly.
- Operate SPRAY HEAD and check connections for leaks. ➡

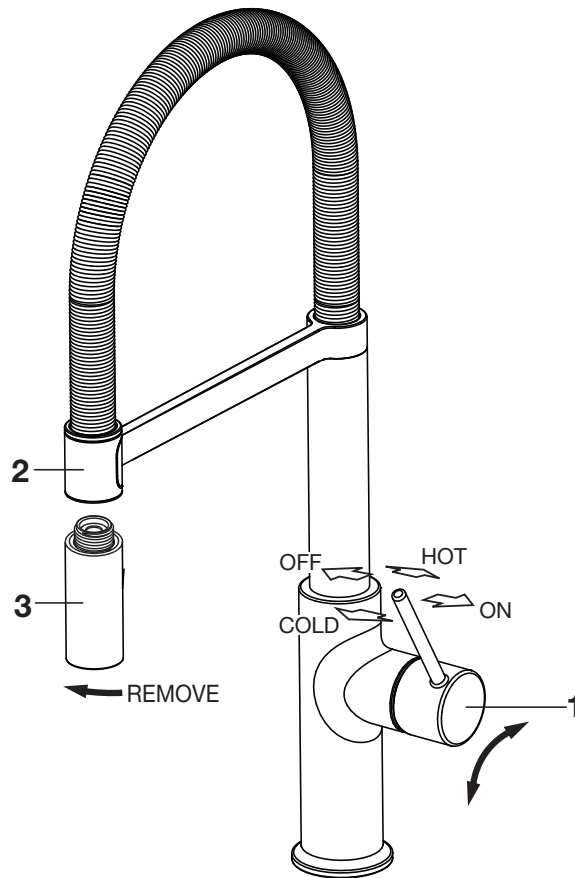
CHECK CONNECTIONS FOR LEAKS ➡



4

TEST INSTALLED FAUCET

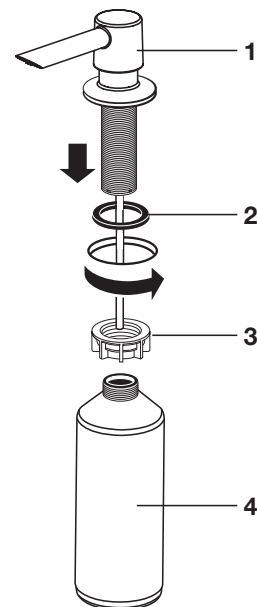
- Move HANDLE (1) into “off” position.
- Turn on water supplies.
- Check connection for leaks. (See Section 3)
- With HANDLE (1) in “off” position, unthread SPRAY (3) from HOSE (2).
- Operate handle back to front, in COLD and HOT positions, to flush water lines thoroughly.
- Reinstall SPRAY (3) onto HOSE (2).



5

INSTALL SOAP DISPENSER

- Insert SOAP DISPENSER SHANK (1) through O-RING (2) and the deck.
- Thread MOUNTING NUT (3) on to SOAP DISPENSER SHANK (1) to secure it to the deck.
- Fill SOAP BOTTLE (4) and thread it on to SOAP DISPENSER SHANK (1).



6

SERVICE

If Faucet Drips, Proceed As Follows:

- Turn VALVE to OFF position.
- Operate HANDLE several times from OFF to ON position.
Do not apply excessive force.

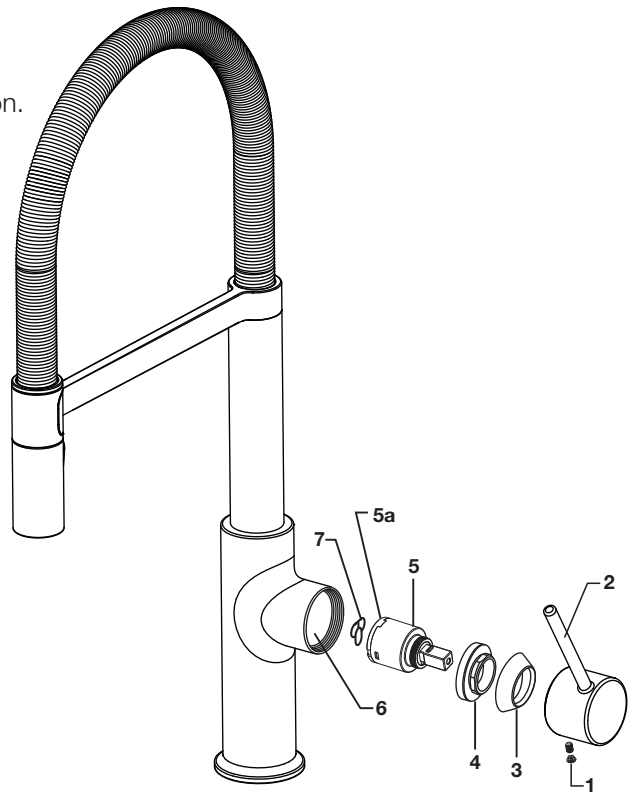
Reduced Flow:

- Clean out spray head screen.
- Clean out cartridge.

Clogged CARTRIDGE outlets or inlets may cause reduced flow.

To clean, first turn off water supply then:

- Loosen HANDLE SCREW (1) and remove HANDLE (2).
- Unthread ESCUTCHEON CAP (3), SNAP RING (4).
- Lift CARTRIDGE (5) off MANIFOLD (6) and remove CARTRIDGE SEALS (7).
- Clean MANIFOLD (6), CARTRIDGE (5) ports and SEALS (7).
- Place SEALS (7) into CARTRIDGE PORTS (5a).
- Place CARTRIDGE (5) onto MANIFOLD (6).
- Reinstall ESCUTCHEON CAP (3), SNAP RING (4), HANDLE (2), tighten HANDLE SCREW (1).



7

CARE INSTRUCTIONS

DO: SIMPLY RINSE THE PRODUCT CLEAN WITH CLEAR WATER. DRY WITH A SOFT COTTON FLANNEL CLOTH. **DO NOT:** DO NOT CLEAN THE PRODUCT WITH SOAPS, ACID, POLISH, ABRASIVES, HARSH CLEANERS, OR A CLOTH WITH A COARSE SURFACE.

TELL US WHAT YOU THINK!

Please leave us a product review or story
at **AmericanStandard.com/reviews**

Find installation videos at
youtube.com/americanstandard

Register your warranty and sign up for an idea-filled newsletter at
AmericanStandard-us.com/support/warranty

**PLEASE COMPLETE AMERICAN STANDARD WARRANTY REGISTRATION PROCESS AND
SAVE THIS WARRANTY INFORMATION IMPORTANT:**

Registration of the sink must be completed for this warranty to become effective. Your registration will make it easier to contact you in the event of a product recall.*

INSTRUCTIONS: Register your sink at www.americanstandard.com. Please save your proof of purchase (sale receipt). If you need assistance or do not have access to our website, please contact American Standard Customer Care at: (800) 442-1902. An American Standard representative will assist in completing the warranty registration.

*In California, your warranty rights remain intact even if you do not complete the registration process.



SHARE YOUR NEW PRODUCT!

Tag us **@american_standard** on Instagram
and show us how your new product looks.

≡ WANT MORE INFO?

For questions or help call us at **855-815-0004**,
or visit **AmericanStandard.com**

UNITED STATES

American Standard Brands
865 Centennial Ave.
Piscataway, New Jersey 08854
Attention: Director of Customer Care
For residents of the United States,
warranty information may also be
obtained by calling the following
toll free number: (855) 815-0004
www.AmericanStandard.com

CANADA

LIXIL Canada, Inc.
5900 Avebury Rd.
Mississauga, Ontario
Canada L5R 3M3
Toll Free: (800) 387-0369
AmericanStandard.ca/support/warranty

MEXICO

American Standard B&K Mexico
S. de R.L. de C.V.
Via Morelos #330
Col. Santa Clara
Ecatepec 55540 Edo. Mexico
Toll Free: 800-839-1200
AmericanStandard.com.mx/garantia

M985143 EN Rev. 1.0 (7/24)

7425352/9322352/7424351/7425351/9322351/104882XXX0

PART OF **LIXIL**

American Standard