

# BECAUSE *JUST ADD WATER* IS PRETTY MUCH THE INSTRUCTIONS FOR A WONDERFUL LIFE.

## **Thank you for buying an American Standard faucet.**

We're so grateful you did, and you will be too. Because faucets don't just bring us water—they're called upon to clean up brownie pans, luxuriated under by sleepy not-morning-people, and spit on by teeth-brushing kids. How do we know? Just like you, we've lived with that same beautiful chaos called life for almost 150 years. We believe that while every home should appreciate in value, we never forget the sentimental value that grows from enjoying life in the heart of home—your kitchen and bath. That's why we love your stories and ideas; they help us innovate with products that make your life easier.

Or, visit [americanstandard-us.com/kitchens/commercial-kitchen-faucets-category](https://americanstandard-us.com/kitchens/commercial-kitchen-faucets-category)

to watch video, view/download installation manuals  
or learn more about your product.

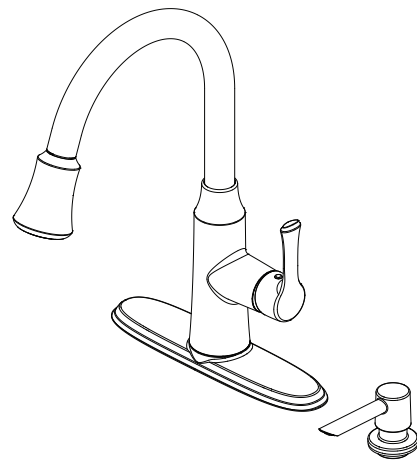
## **Have a question or need help on install?**

For questions or help on installation call us at **855-815-0004**.

M985179 SKU#9391321 EN (5/23)

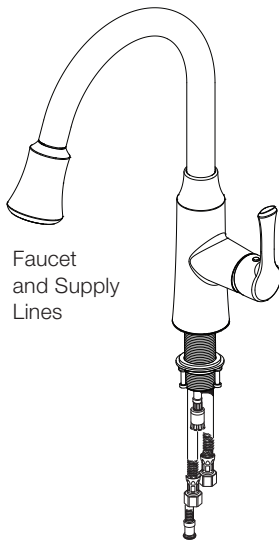
*American Standard*

**OWNERS MANUAL**  
**Ellis Pulldown Kitchen Faucet**  
 9391321

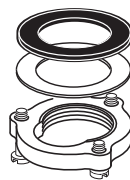


**INSIDE THE BOX**

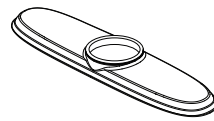
Image shown may vary from product purchased.



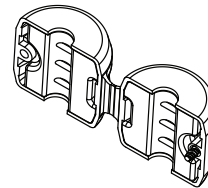
Faucet  
and Supply  
Lines



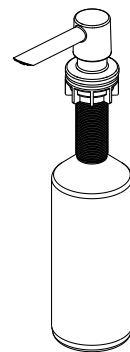
Mounting Kit



Escutcheon



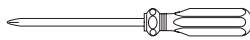
Weight



Soap Dispenser  
(only included  
with 7438301)

**RECOMMENDED TOOLS**

Installation steps will indicate which tools should be used with associated letter



Phillips  
Screwdriver

**A**



Channel  
Locks

**B**



Adjustable  
Wrench

**C**



**BEFORE INSTALLING YOUR FAUCET**

Turn off hot and cold water supplies before beginning.

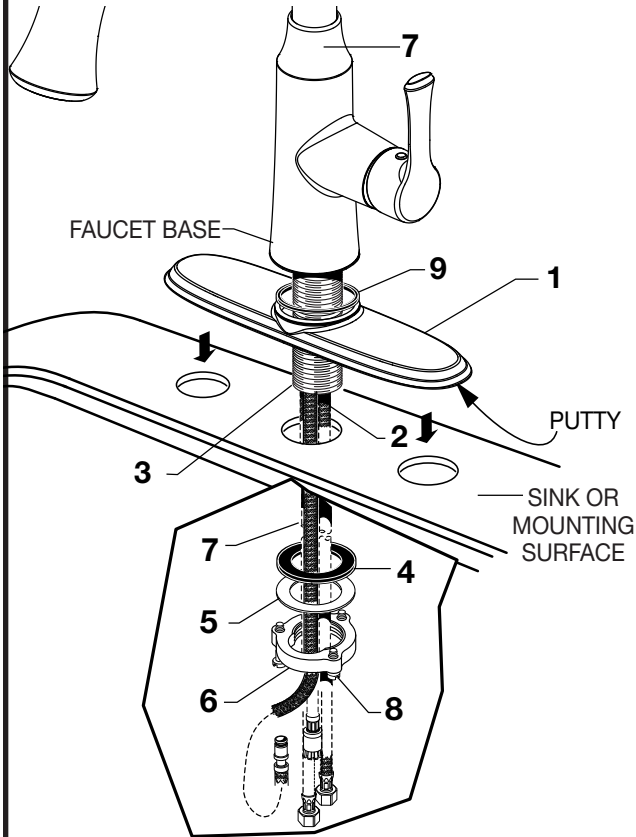
# INSTALLATION INSTRUCTIONS

1

## INSTALL WITH ESCUTCHEON



Turn off hot and cold water supplies before beginning.

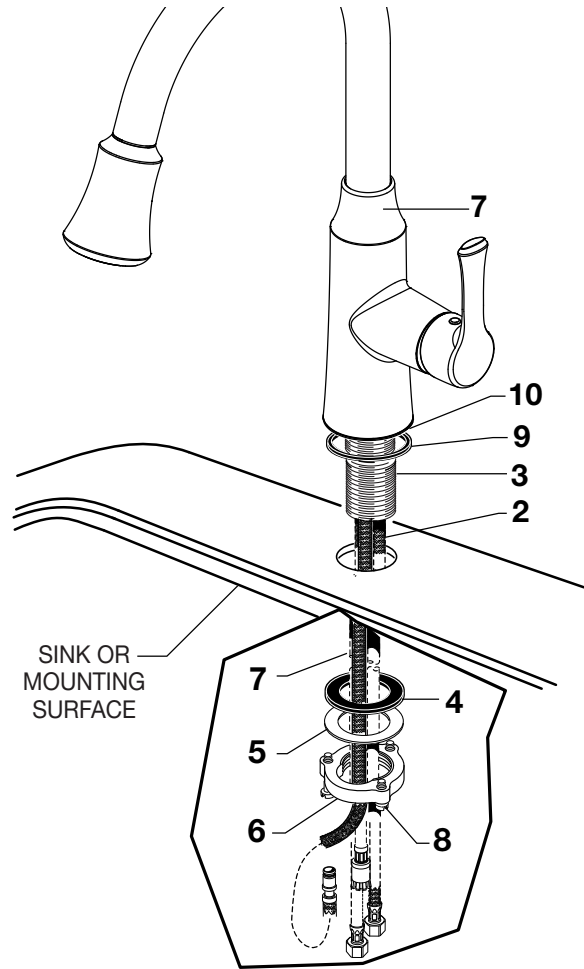


- Apply a bead of putty to bottom edge of ESCUTCHEON with PUTTY PLATE (1). Make certain the SEAL (9) is properly seated in recess of faucet body. Insert SUPPLY HOSES (2), SPRAY HOSE (7) and SHANK (3) through hole of ESCUTCHEON with PUTTY PLATE (1) and mounting surface. Follow mounting instructions below to secure faucet to mounting surface.
- Insert HOSES (2) through RUBBER WASHER (4), BRASS WASHER (5), and threaded LOCKNUT (6).
- Assemble RUBBER WASHER (4), BRASS WASHER (5), and threaded LOCKNUT (6) onto SHANK (3) from underside of sink or mounting surface. Hand tighten LOCKNUT (6).
- Use a screwdriver to tighten SCREWS (8) on LOCKNUT (6). Work your way around LOCKNUT (6), tightening the screws slightly each time until all are snug to ensure even pressure.

A

1A

## INSTALL WITHOUT ESCUTCHEON



- Discard ESCUTCHEON with PUTTY PLATE (1). Make certain the SEAL (9) is properly seated in recess of RING BASE (10). Insert supply HOSES (2), SPRAY HOSE (7) and SHANK (3) through mounting hole and seat RING BASE (10) onto sink or mounting surface. Do not use putty.
- Insert HOSES (2) through RUBBER WASHER (4), BRASS WASHER (5), and threaded LOCKNUT (6).
- Assemble RUBBER WASHER (4), BRASS WASHER (5), and threaded LOCKNUT (6) onto SHANK (3) from underside of sink or mounting surface. Hand tighten LOCKNUT (6).
- Use a screwdriver to tighten SCREWS (8) on LOCKNUT (6). Work your way around LOCKNUT (6), tightening the screws slightly each time until all are snug to ensure even pressure.

A

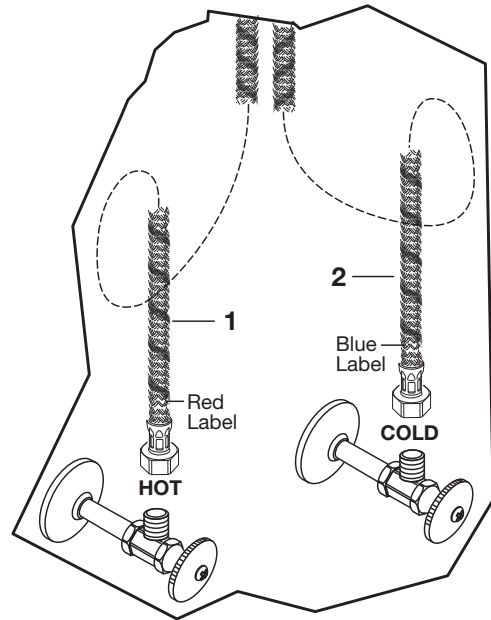
2

## MAKE WATER SUPPLY CONNECTIONS



**Turn off hot and cold water supplies before beginning.**

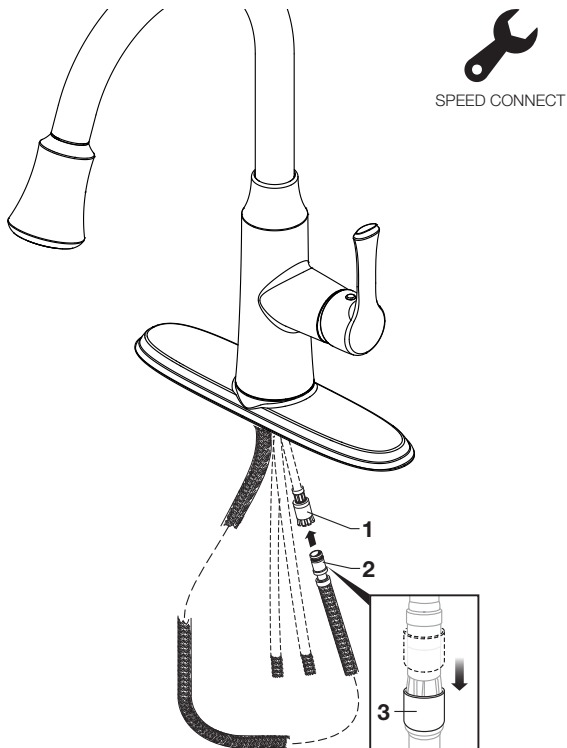
- Connect FLEXIBLE SUPPLY HOSES (1, 2) directly to wall supplies. Connection on fitting supplies are 3/8" compression. Connect the supply hose with the red label to the Hot wall supply. Connect the supply hose with the blue label to the Cold wall supply. Use an adjustable wrench to tighten connections. Do not over tighten.
- \* Faucet supplies are 35" long from faucet base.
- **Note: If additional supply length is required, installer must purchase additional parts separately.**
- **Important: If SUPPLY HOSES (1, 2) are too long, loop as illustrated to avoid kinking.**



C

3

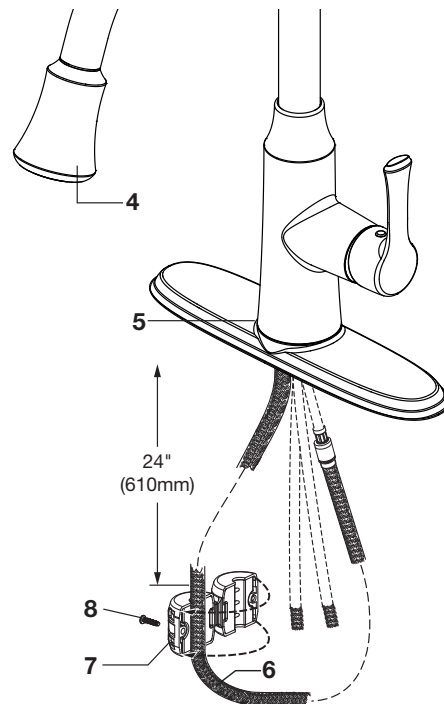
## CONNECT SPRAY HOSE



- Push the SPRAY HOSE END (2) into the HOSE CONNECTOR (1) slide down LOCKING COLLAR (3) until it snaps into place to secure connection.

4

## INSTALL WEIGHT



- With SPRAY HEAD (4) seated in SPOUT (5), install WEIGHT (7) onto HOSE (6) 24 inches (610mm) from the underside of the sink deck and secure with SCREW (8).

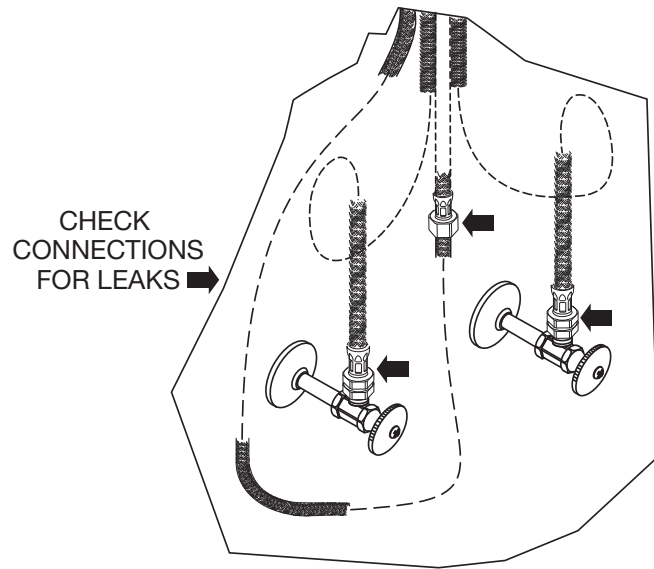
**NOTE:** there is a label on the hose indicating weight placement.

*American Standard*

## 5

### CHECK CONNECTIONS FOR LEAKS

- Move HANDLE into “off” position.
- Turn on water supplies and check connections for leaks.
- Operate HANDLE up and down, left and right to flush lines thoroughly.
- Operate SPRAY HEAD and check connections for leaks.



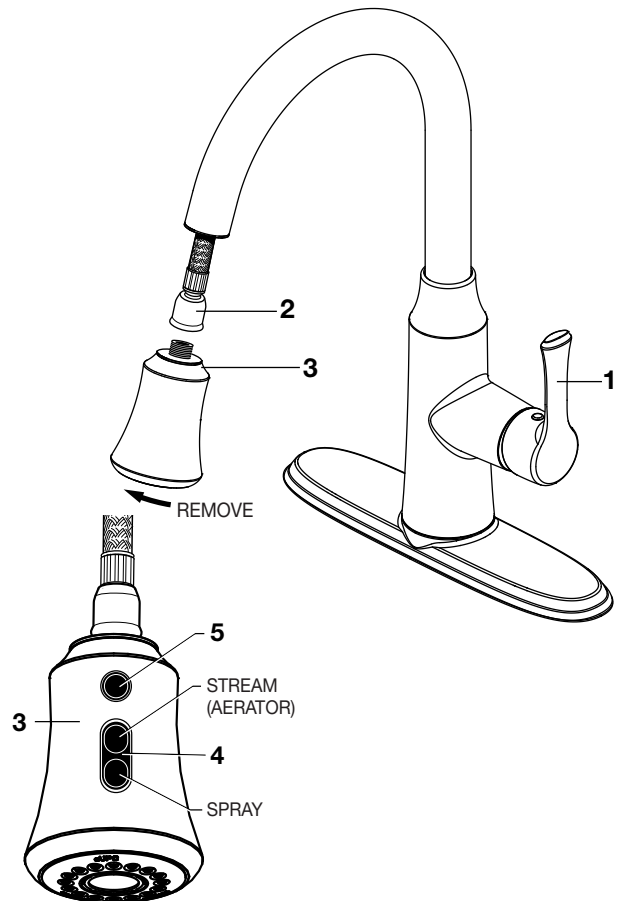
## 6

### TEST INSTALLED FAUCET

- Move HANDLE (1) into “off” position.
- Turn on water supplies.
- With HANDLE (1) in “off” position, unthread SPRAY (3) from HOSE (2).
- Operate handle back to front, in COLD and HOT positions, to flush water lines thoroughly.
- Thread SPRAY HEAD (3) onto HOSE (2).

#### SPRAY OPERATION

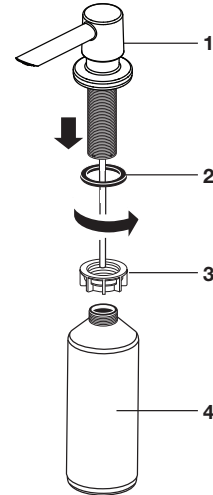
- With faucet on press TOGGLE BUTTON (4) on SPRAY (3) to switch from stream to spray.
- Press and hold PAUSE BUTTON (5) to temporarily stop flow from SPRAY (3). Release PAUSE BUTTON (5) to resume flow from SPRAY (3).



## 7

### INSTALL SOAP DISPENSER

- Insert SOAP DISPENSER SHANK (1) through O-RING (2) and the deck.
- Thread MOUNTING NUT (3) on to SOAP DISPENSER SHANK (1) to secure it to the deck.
- Fill SOAP BOTTLE (4) and thread it on to SOAP DISPENSER SHANK (1).



## 8

### SERVICE



**Turn off hot and cold water supplies before beginning.**

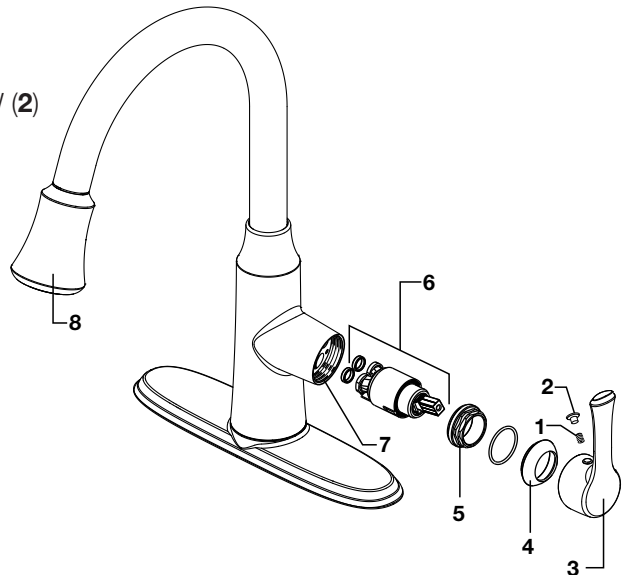
If faucet drips, operate HANDLE several times from “off” to “on.” Do not apply excessive force.

**Clogged CARTRIDGE outlets or inlets may cause reduced flow.**

- Remove INDEX BUTTON (1), loosen HANDLE SCREW (2) and remove HANDLE (3).
- Remove the HANDLE CAP (4). Unthread the PLASTIC NUT (5).
- Lift CARTRIDGE (6) off MANIFOLD (7).
- Clean MANIFOLD (7) and CARTRIDGE (6) ports.
- Place CARTRIDGE (6) onto MANIFOLD (7) and tighten MOUNTING SCREWS (5) alternately.
- Replace ESCUTCHEON CAP (4), HANDLE (3), tighten HANDLE SCREW (2) and install INDEX BUTTON (1).

**Clogged AERATOR may cause reduced flow:**

- Unthread the AERATOR (8) with a coin or flat head screwdriver and clean it of any debris.
- Allow water to run through the faucet with no aerator to flush the hoses.
- Reinstall AERATOR (8).



## 9

### CARE INSTRUCTIONS

**DO:** SIMPLY RINSE THE PRODUCT CLEAN WITH CLEAR WATER. DRY WITH A SOFT COTTON FLANNEL CLOTH. **DO NOT:** DO NOT CLEAN THE PRODUCT WITH SOAPS, ACID, POLISH, ABRASIVES, HARSH CLEANERS, OR A CLOTH WITH A COARSE SURFACE.

# TELL US WHAT YOU THINK!

★ Please leave us a product review or story at **[americanstandard.com/reviews](https://americanstandard.com/reviews)**



## Happy I purchased this faucet

08/22/2019 00:04:41 CDT American Standard [Kitchen Faucets](#) [Xavier SelectFlo Pull-Down Kitchen Faucet](#)

I enjoy the SelectFlo pull-down kitchen faucet with three spray patterns. It's a great fit, finish and overall quality has been excellent.

Register your warranty and sign up for an idea-filled newsletter at **[www.americanstandard-us.com/support/warranty](https://www.americanstandard-us.com/support/warranty)**.

Find installation videos at **[youtube.com/americanstandard](https://youtube.com/americanstandard)**.

## SHARE YOUR NEW PRODUCT!

Tag us **@american\_standard** on Instagram and show us how your new product looks.

## WANT MORE INFO?

For questions or help call us at **855-815-0004**, or visit **[americanstandard.com](https://americanstandard.com)**