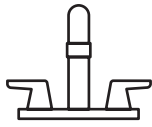


American Standard



American Standard is devoted to making life, in the heart of your home, better every day...

...so, thank you for inviting us in! With the very best in kitchen and bathroom products, we are here to help make your life happier, healthier and simpler. Our commitment to quality, innovation and performance has made us part of your everyday routine for nearly 150 years, and we look forward to being a part of your life for many years to come.

Learn more at www.AmericanStandard.com

REGISTER YOUR WARRANTY

Try the easy-scan **QR code** to quickly enter your information or find your product's detailed warranty here:

www.AmericanStandard.com/warranty



Registering allows you to keep your product information safe, and us the ability to contact you in the event of a product recall or *any* news about your purchase.

And if ever you have a question or need help...?

Call us at 1-855-815-0004

M965931 EN (7/23)

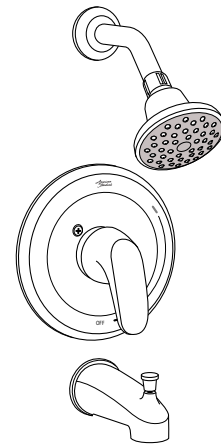
TU075500/TU075507/TU075508/TU075507XH/TU075508XH

American Standard

OWNERS MANUAL

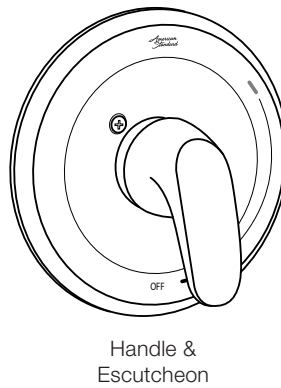
Colony® Pro Pressure Balancing Bath and Shower Trim Kit

TU075500 / TU075507 / TU075508
/ TU075507XH / TU075508XH



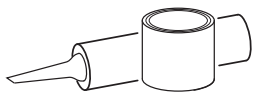
INSIDE THE BOX

Image shown may vary from product purchased.



RECOMMENDED TOOLS

Installation steps will indicate which tools should be used with associated letter



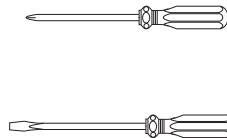
Plumbers' Putty
or Caulking

A



Teflon
Tape

B



Screwdrivers

C



Adjustable
Wrench

D



Channel
Locks

E



BEFORE INSTALLING YOUR FAUCET

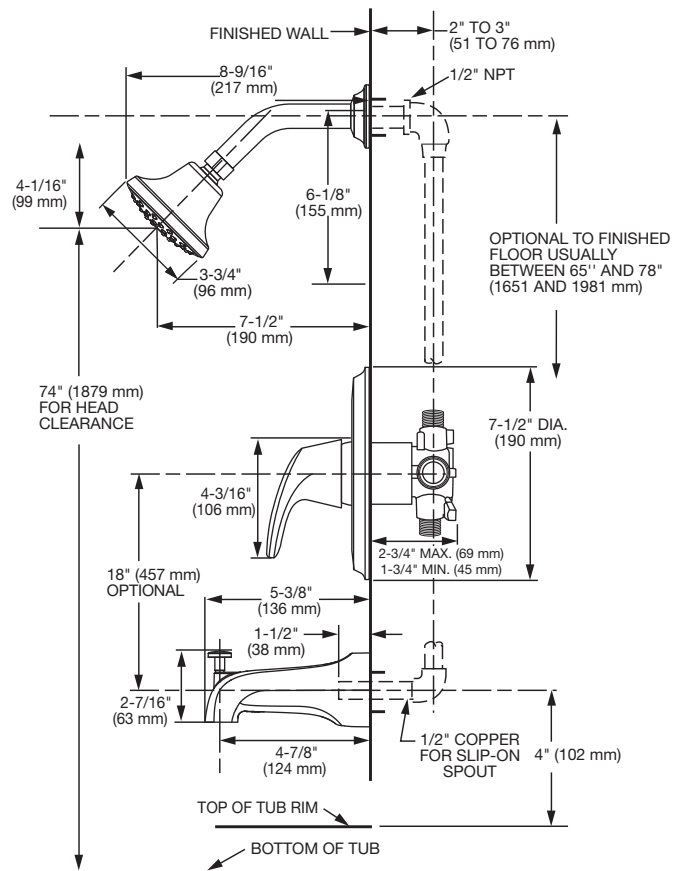
Turn off hot and cold water supplies before beginning.

INSTALLATION INSTRUCTIONS

1

ROUGHING-IN DIMENSIONS

- To assure proper positioning in relation to wall. Note roughing-in dimensions.

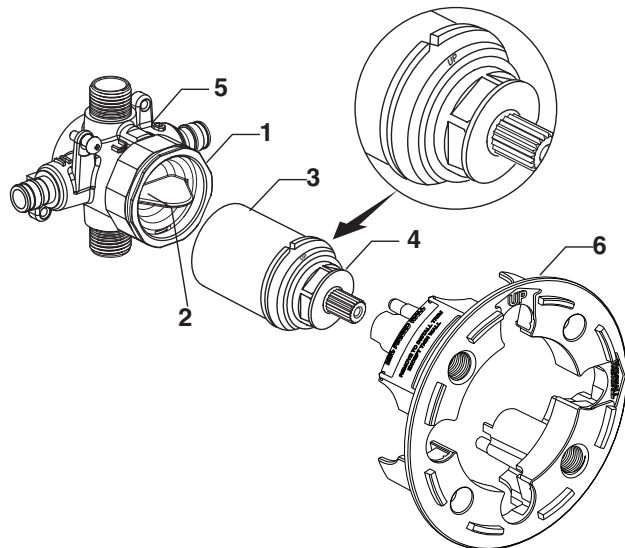


2

CARTRIDGE INSTALLATION

- Remove PLASTER GUARD (6) (Keep it installed for thin wall installation).
- Remove BONNET NUT (1) by unthreading it counter clockwise. Remove TEST CAP (2).
- Remove PROTECTIVE HOUSING (3) from CARTRIDGE (4). Install with "UP" text on top.
- Reinstall BONNET NUT (1) onto VALVE BODY (5) and tighten firmly with 12 Nm or 9 lbs/ft.

NOTE: Specified tightening torque of BONNET NUT (1) is critical to assure sealing function.



3

STANDARD WALL INSTALLATION

- **Figure 1.** Remove plaster guard from valve. Push CAP (1) over VALVE CARTRIDGE (2) until seated against stop.
- **Figure 2.** Push ESCUTCHEON (3) onto CAP (1) and attach to valve body with LONG SCREWS (4).

THIN WALL INSTALLATION

- **Figure 1a.** Push CAP (1) over VALVE CARTRIDGE (2) until seated against stop.
- **Figure 2a.** Push ESCUTCHEON (3) onto CAP (1) and attach to valve body with LONG SCREWS (4).

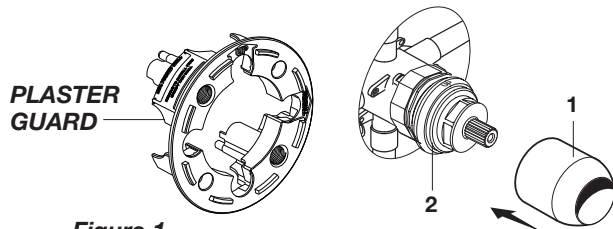


Figure 1.

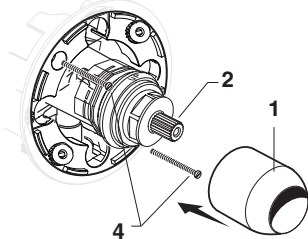


Figure 1a.

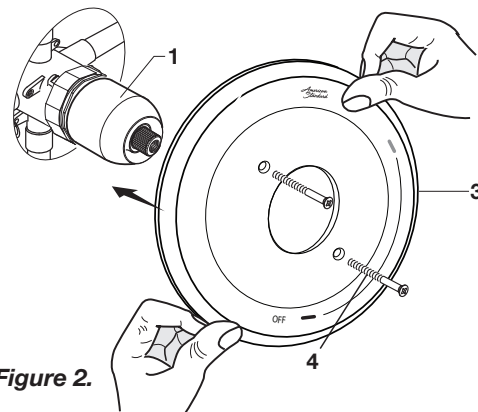


Figure 2.

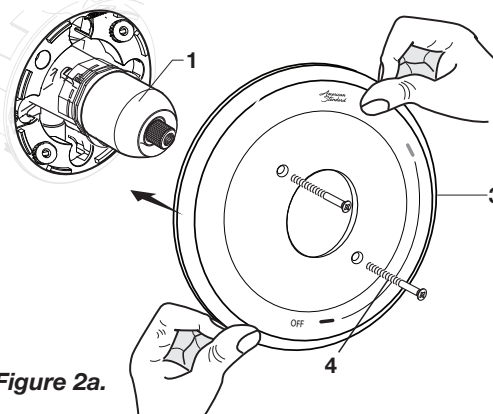


Figure 2a.

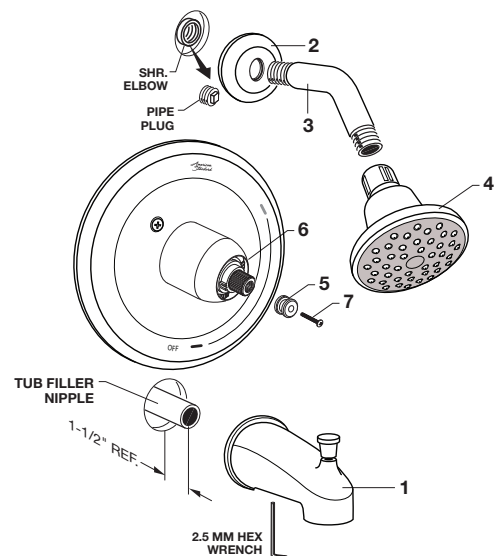
4

INSTALL TUB SPOUT, SHOWER HEAD, SHOWER ARM WITH FLANGE



Turn off hot and cold water supplies before beginning.

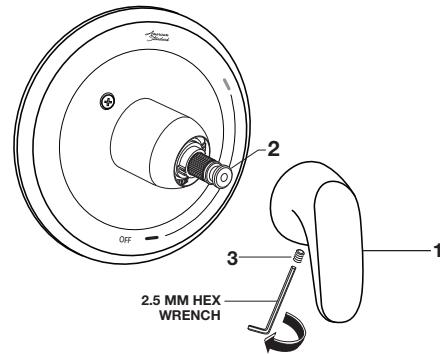
- Remove pipe cap and plug from shower and tub rough piping.
- Slip TUB SPOUT (1) onto tub nipple and tighten with 2.5 mm Hex Wrench.
- **CAUTION: Protect finish on TUB SPOUT when installing.**
- Install SHOWER ESCUTCHEON (2) onto SHOWER ARM (3). Apply sealant or Teflon tape to threads on both ends of SHOWER ARM (3) and thread longer leg of SHOWER ARM (3) into shower elbow.
- Thread SHOWER HEAD (4) onto SHOWER ARM (3).
- **CAUTION: Protect finish on SHOWER HEAD and ARM when installing.**
- Slip ADAPTER (5) onto CARTRIDGE (6) and thread SCREW (7) on.



5

HANDLE INSTALLATION

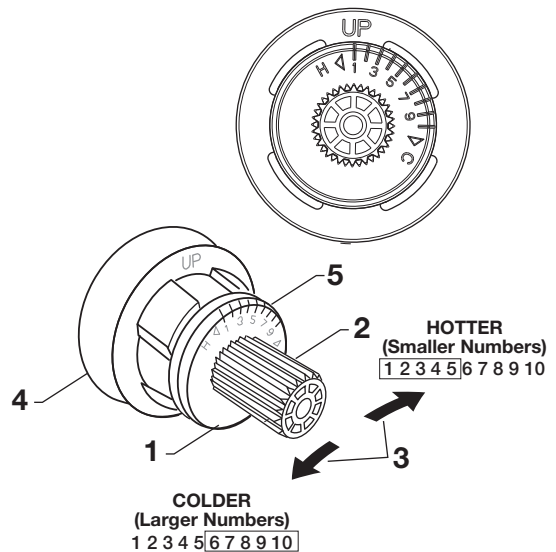
- Install HANDLE (1) by pushing it onto CARTRIDGE STEM (2) and tightening SET SCREW (3) from below with 2.5 mm Hex Wrench supplied.



6

ADJUST HOT LIMIT STOP

- By restricting HANDLE rotation and limiting the amount of hot water allowed to mix with the cold, the HOT LIMIT SAFETY STOP (1) reduces risk of accidental scalding. To set the maximum hot water temperature of your faucet valve, adjust the setting on the HOT LIMIT SAFETY STOP (1).
- Turn CARTRIDGE STEM (2) to the OFF position (coldest setting) before making adjustment to HOT LIMIT STOP (1). Pull forward and rotate counterclockwise one number to limit hot water temperature. Use NUMBERS (5) on CARTRIDGE (4) on HOT LIMIT STOP (1) for indication.





Turn off hot and cold water supplies before beginning.

TO GAIN ACCESS TO VALVE FOR SERVICING

- Remove HANDLE (see step 3 and reverse).
- Remove ESCUTCHEON and CARTRIDGE CAP (see step 1 and reverse).

VALVE LEAKS WHEN SHUT OFF

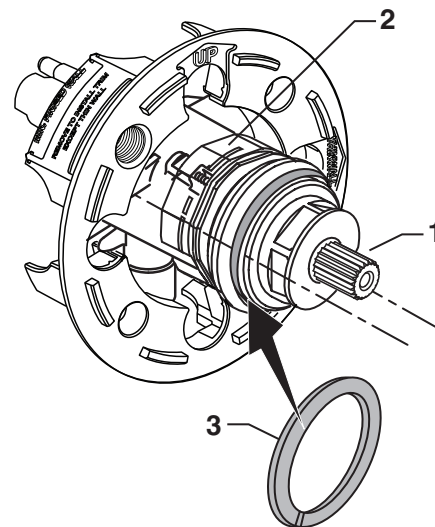
- Remove CARTRIDGE, see STEP 1 and STEP 2 and REVERSE process.
- Clean SEALS on the side of CARTRIDGE. Clean inside sealing surface of VALVE BODY.
- Re-assemble CARTRIDGE. Install trim. Turn on water supply and check for leaks.

REPLACING CARTRIDGE

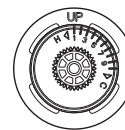
- To remove Cartridge (1), install split washer (3) between the ridge on the cartridge and the bonnet nut.
- Proceed to unthread bonnet nut (2) counter clockwise.
- **Note:** Cartridge (1) should be pulling out while unthreading bonnet nut (2).
- Upon removal of the old Cartridge, install a new cartridge and secure it with bonnet nut (Hand tighten).

BACK TO BACK INSTALLATION

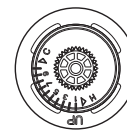
- Remove CARTRIDGE (B) as detailed in steps above.
- Remove Pin (A) from Cartridge (B) by pulling.
- Separate Manifold (C) from Cartridge (B) by pulling.
- Rotate Cartridge (B) 180 degrees and reinstall Manifold (C) with Pin (A).
- The "up" text (D) should now be facing downward during installation of the cartridge (B).



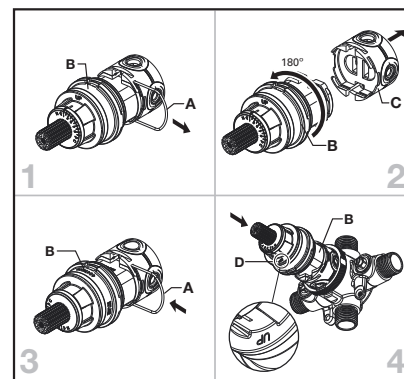
Standard



Back to Back



BACK TO BACK INSTALLATION



DO: SIMPLY RINSE THE PRODUCT CLEAN WITH CLEAR WATER. DRY WITH A SOFT COTTON FLANNEL CLOTH. **DO NOT:** DO NOT CLEAN THE PRODUCT WITH SOAPS, ACID, POLISH, ABRASIVES, HARSH CLEANERS, OR A CLOTH WITH A COARSE SURFACE.

TELL US WHAT YOU THINK!

Please leave us a product review or story
at **AmericanStandard.com/reviews**

Find installation videos at
youtube.com/americanstandard

Register your warranty and sign up for an idea-filled newsletter at
AmericanStandard-us.com/support/warranty

PLEASE COMPLETE AMERICAN STANDARD WARRANTY REGISTRATION PROCESS AND SAVE THIS WARRANTY INFORMATION IMPORTANT:

Registration of the sink must be completed for this warranty to become effective. Your registration will make it easier to contact you in the event of a product recall.*

INSTRUCTIONS: Register your sink at www.americanstandard.com. Please save your proof of purchase (sale receipt). If you need assistance or do not have access to our website, please contact American Standard Customer Care at: (800) 442-1902. An American Standard representative will assist in completing the warranty registration.

*In California, your warranty rights remain intact even if you do not complete the registration process.



SHARE YOUR NEW PRODUCT!

Tag us @american_standard on Instagram
and show us how your new product looks.

≡ WANT MORE INFO?

For questions or help call us at **855-815-0004**,
or visit **AmericanStandard.com**

UNITED STATES

American Standard Brands
865 Centennial Ave.
Piscataway, New Jersey 08854
Attention: Director of Customer Care
For residents of the United States,
warranty information may also be
obtained by calling the following
toll free number: (855) 815-0004
www.AmericanStandard.com

CANADA

LIXIL Canada, Inc.
5900 Avebury Rd.
Mississauga, Ontario
Canada L5R 3M3
Toll Free: (800) 387-0369
AmericanStandard.ca/support/warranty

MEXICO

American Standard B&K Mexico
S. de R.L. de C.V.
Via Morelos #330
Col. Santa Clara
Ecatepec 55540 Edo. Mexico
Toll Free: 800-839-1200
AmericanStandard.com.mx/garantia

M965931 EN (7/23)

TU075500/TU075507/TU075508/TU075507XH/TU075508XH

PART OF **LIXIL**

American Standard