

# INSTALLATION INSTRUCTIONS

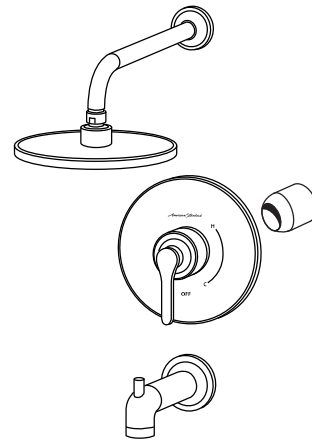
## STUDIO® S PRESSURE BALANCE BATH AND SHOWER TRIM KIT

Thank you for selecting American Standard...  
the benchmark of fine quality for over 140 years.

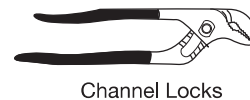
To ensure that your installation proceeds smoothly-please  
read these instructions carefully before you begin.

For use with shower heads rated at 4.9 L/min (1.3 gpm) or higher.

TU105500  
TU105501  
TU105502  
TU105507  
TU105508

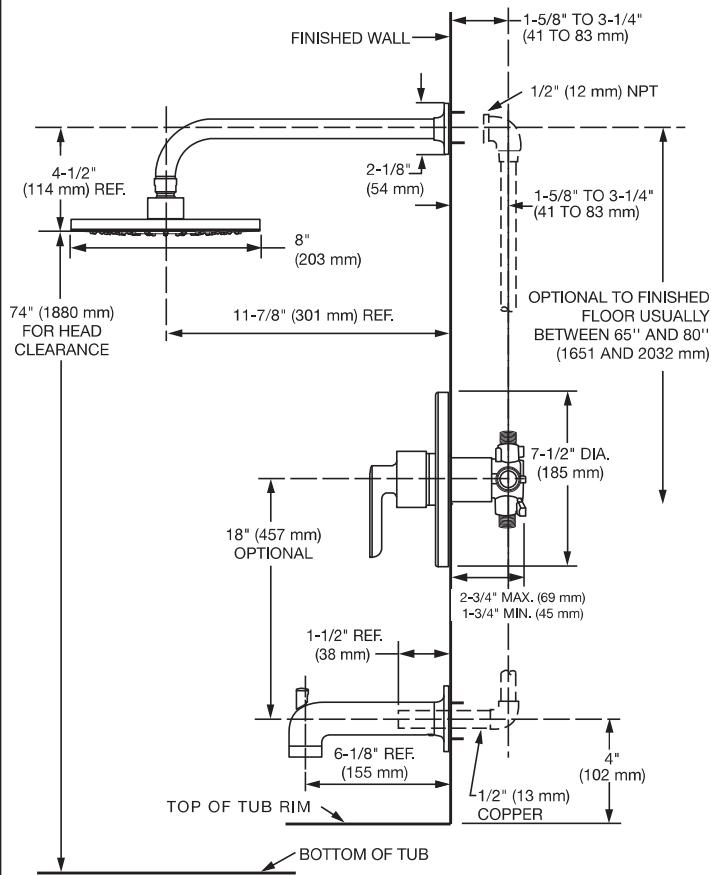


### RECOMMENDED TOOLS



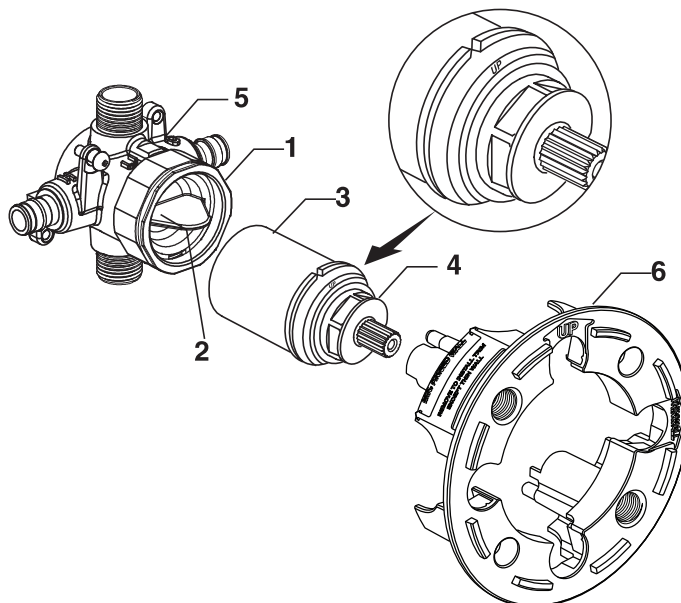
### ROUGHING-IN DIMENSIONS

- To assure proper positioning in relation to wall.  
Note roughing-in dimensions.



### 1 CARTRIDGE INSTALLATION

- Remove PLASTER GUARD (6)  
(Keep it installed for thin wall Installation).
- Remove BONNET NUT (1) by unthreading it  
Counter clockwise. Remove test CAP (2).
- Remove PROTECTIVE HOUSING (3) from  
CARTRIDGE (4). Install with "UP" text on top.
- Reinstall BONNET NUT (1) onto VALVE BODY (5)  
and hand tighten.



## 2 INSTALL VALVE TRIM (STANDARD WALL INSTALLATION)

- **Figure 1.** Push CAP (1) over VALVE CARTRIDGE (2) until seated against stop.
- **Figure 2.** Make sure O-RING (6) is secure within ESCUTCHEON HOLDER (3). Push ESCUTCHEON HOLDER (3) onto CAP (1) and attach with LONG SCREWS (4). Mount ESCUTCHEON SUPPORT (5) to ESCUTCHEON HOLDER (3) with 4 SHORT SCREWS (8).
- **Figure 3.** Install ESCUTCHEON (7) onto CAP (1) and push flush against finished wall. ESCUTCHEON (7) will snap fit onto ESCUTCHEON SUPPORT (5).

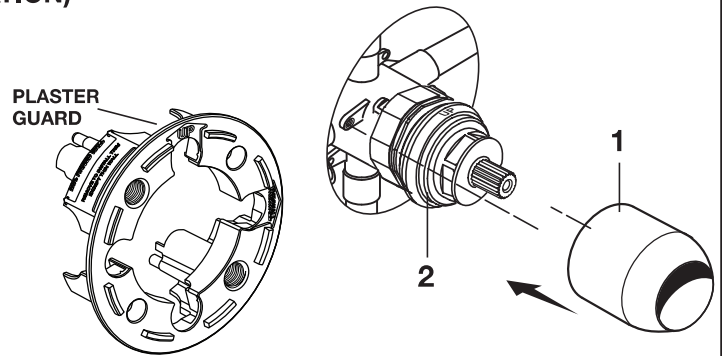


Figure 1.

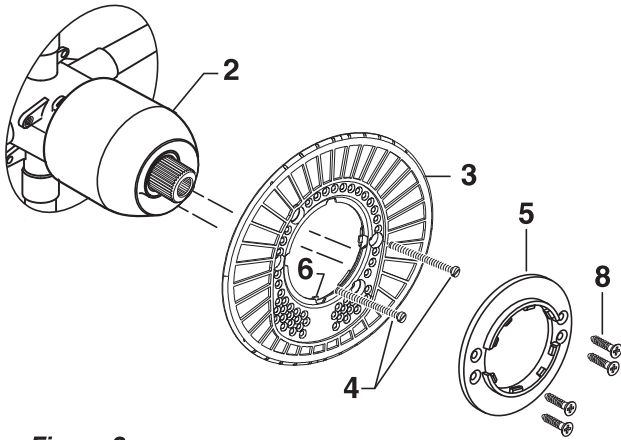


Figure 2.

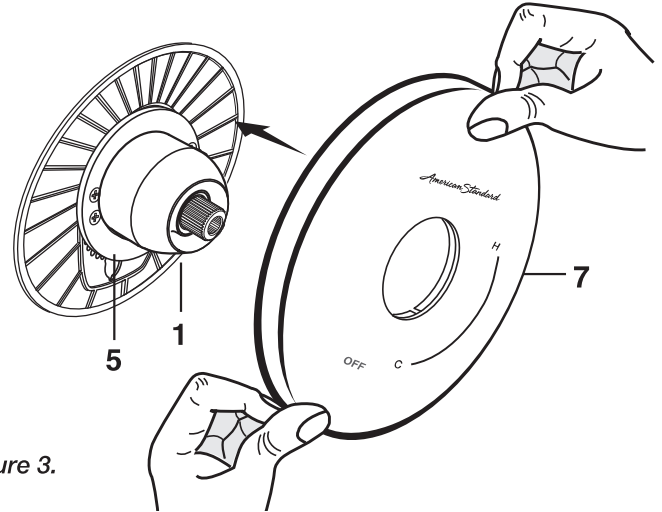


Figure 3.

## 2a INSTALL VALVE TRIM (THIN WALL INSTALLATION)

**Note:** Plaster Guard will remain installed for thin wall installation.

- **Figure 1.** Remove SCREWS (7), push CAP (1) over VALVE CARTRIDGE (2) until seated against stop.  
**Note:** Escutcheon Holder must be installed with number facing out on bottom.
- **Figure 2.** Make sure O-RING (5) is secure within ESCUTCHEON HOLDER (3). Push ESCUTCHEON HOLDER (3) onto CAP (1) and attach with LONG SCREWS (4).
- **Figure 3.** Install ESCUTCHEON (6) onto CAP (1) and push flush against finished wall. Escutcheon (6) will snap fit onto ESCUTCHEON HOLDER (3).

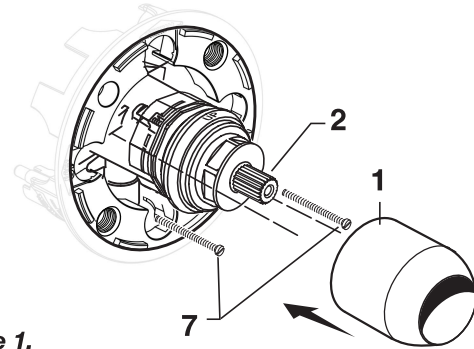


Figure 1.

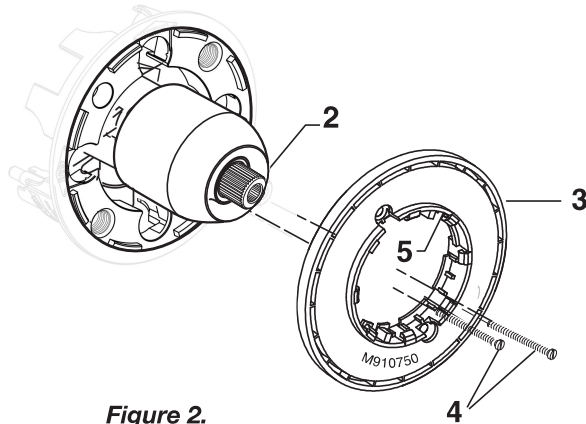


Figure 2.

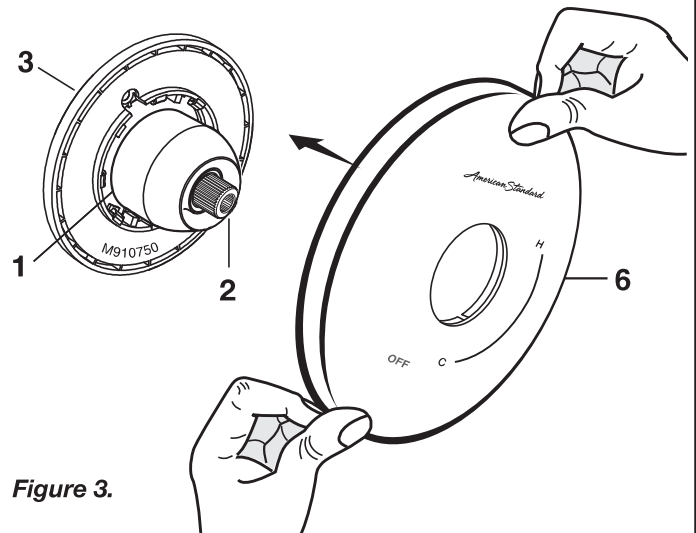


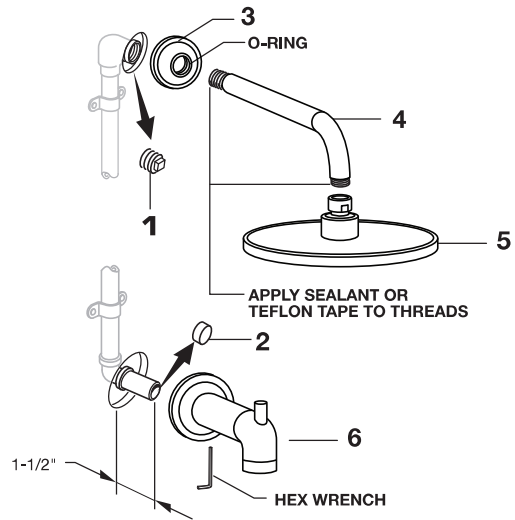
Figure 3.

### 3 INSTALL, TUB SPOUT, SHOWER HEAD, SHOWER ARM WITH FLANGE

**CAUTION** Protect finish on SHOWER HEAD and TUB SPOUT when installing.

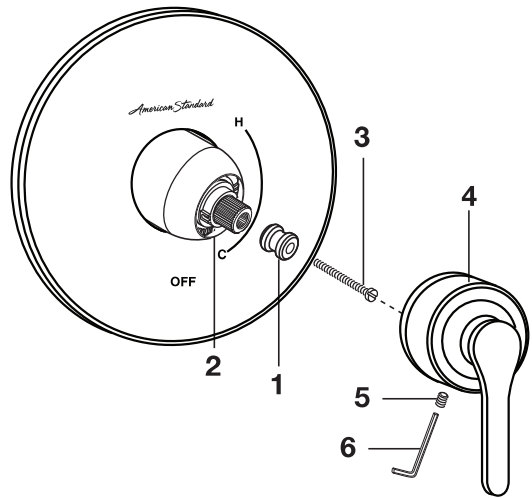
**Note:** Apply sealant or Teflon Tape to shower arm.

- Remove PIPE PLUG and CAP (1, 2) from shower pipe and tub filler pipe.
- Install SHOWER ESCUTCHEON (3) onto SHOWER ARM (4). Apply sealant or Teflon tape to threads on both ends of SHOWER ARM (4) and thread longer leg of SHOWER ARM (4) into shower elbow.
- Thread SHOWER HEAD (5) onto SHOWER ARM (4). Install TUB SPOUT (6). Tighten with HEX WRENCH supplied. **Important: Do not over tighten Set Screw.**



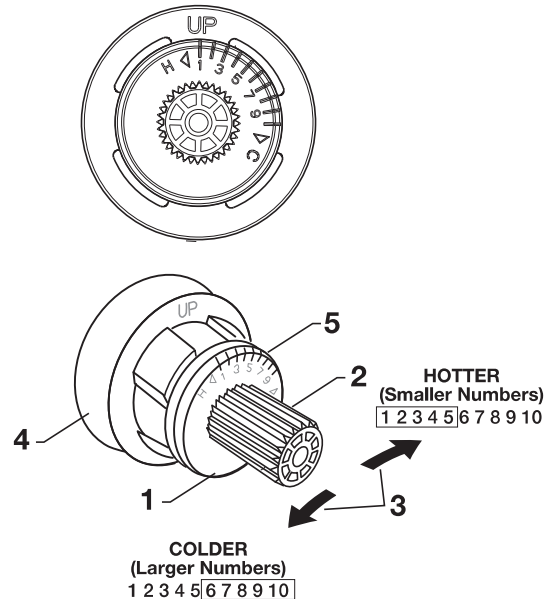
### 4 INSTALL HANDLE

- Hold ADAPTER (1) onto VALVE STEM (2) and install ADAPTER SCREW (3) through ADAPTER (1) into VALVE STEM (2). Tighten ADAPTER SCREW (3) to secure ADAPTER (1) to VALVE STEM (2).
- Install HANDLE BASE (4) onto ADAPTER (1). Insert SET SCREW (5) into HANDLE BASE (4). Align HANDLE BASE (4) and tighten with HEX WRENCH (6) supplied.



### 5 ADJUST HOT LIMIT STOP

- By restricting HANDLE rotation and limiting the amount of hot water allowed to mix with the cold, the HOT LIMIT SAFETY STOP (1) reduces risk of accidental scalding. To set the maximum hot water temperature of your faucet valve, adjust the setting on the HOT LIMIT SAFETY STOP (1).
- Turn CARTRIDGE STEM (2) to the OFF position (coldest setting) before making adjustment to HOT LIMIT STOP (1). Pull forward and rotate counterclockwise one number to limit hot water temperature. Use NUMBERS (5) on CARTRIDGE (4) on HOT LIMIT STOP (1) for indication.



## 6 SERVICE

### TO GAIN ACCESS TO VALVE FOR SERVICING

**CAUTION** Turn off hot and cold water supplies before beginning.

- Remove HANDLE (see step 3 and reverse).
- Remove ESCUTCHEON and CARTRIDGE CAP (see step 1 and reverse).

### VALVE LEAKS WHEN SHUT OFF

- Remove CARTRIDGE, see STEP 1 and STEP 2 and REVERSE process.
- Clean SEALS on the side of CARTRIDGE. Clean inside sealing surface of VALVE BODY.
- Re-assemble CARTRIDGE. Install trim. Turn on water supply and check for leaks.

### REPLACING CARTRIDGE (FIGURE 1)

- To remove CARTRIDGE (1), install split WASHER (3) (only supplied with replacement cartridge), as shown.
- Proceed to unthread BONNET NUT (2) counter clockwise.  
**Note:** CARTRIDGE (1) should be pulling out while unthreading BONNET NUT (2).
- Upon removal of the old Cartridge, install a new cartridge and secure it with BONNET NUT (Hand tighten).

### BACK TO BACK INSTALLATION (FIGURE 2, 3 & 3A)

- Remove CARTRIDGE (1).
- Remove venturi tube by pushing it out. As shown in **FIGURE 3**.
- Rotate CARTRIDGE (1) 180° so that the Up text is displayed on the bottom side. As shown in **FIGURE 2**.
- Reinstall the venturi tube by pushing it in. As shown in **FIGURE 3A**.
- Insert Cartridge back into the valve.
- Reassemble BONNET NUT (2) and hand tighten.

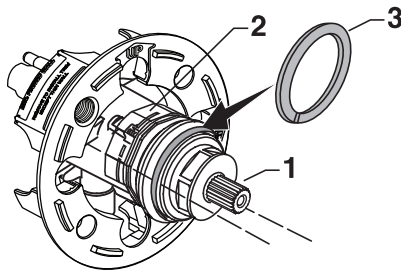


Figure 1.

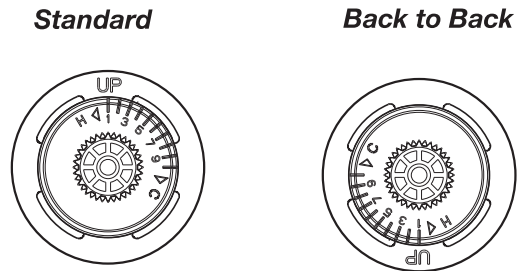


Figure 2.

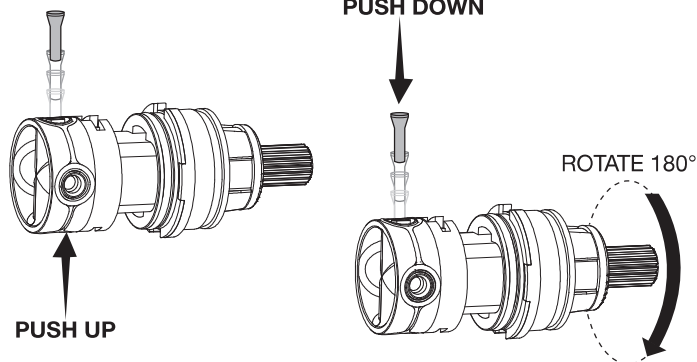


Figure 3.

Figure 3A.

## 7 CARE INSTRUCTIONS:

**DO:** SIMPLY RINSE THE PRODUCT CLEAN WITH CLEAR WATER. DRY WITH A SOFT COTTON FLANNEL CLOTH.  
**DO NOT:** DO NOT CLEAN THE PRODUCT WITH SOAPS, ACID, POLISH, ABRASIVES, HARSH CLEANERS, OR A CLOTH WITH A COARSE SURFACE.