

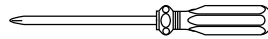
Certified to comply with ANSI A112.18.1M

**Times Square®
Flash™ 2-Handle Integrated Diverter
Pressure Balance Valve Trim**

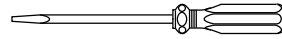
*Thank you for selecting American Standard...
the benchmark of fine quality for over 100 years.*

**To ensure that your installation proceeds smoothly-please read
these instructions carefully before you begin.**

RECOMMENDED TOOLS

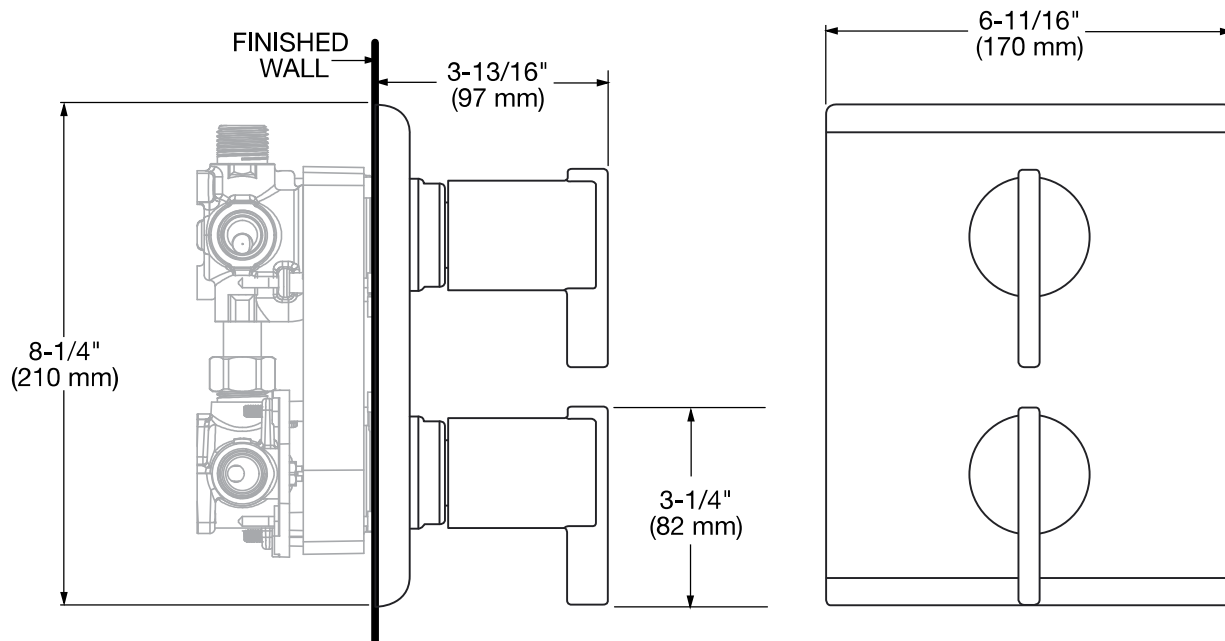


Phillips Screwdriver



Flat Blade Screwdriver

ROUGHING-IN DIMENSIONS



CARE INSTRUCTIONS:

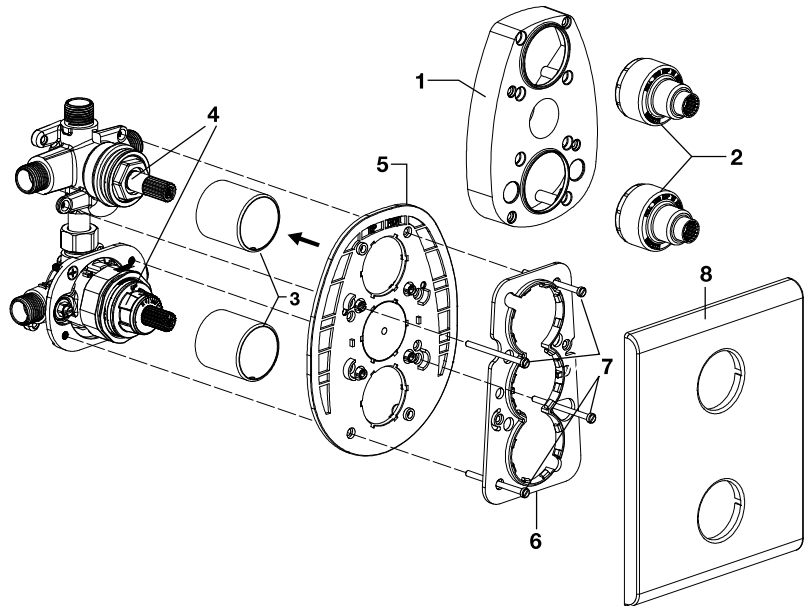
- To keep your new faucet looking new, please follow these simple care instructions:
 - DO:** – Simply rinse the faucet clean with clear water.
 - Dry the faucet with a soft cotton cloth.
 - DO NOT:**
 - Do not use any abrasive cleaners, cloths, or paper towels.
 - Do not use any cleaning agents containing acids, polish abrasives, or harsh cleaners or soaps.
- Regular and routine cleaning will reduce the need for heavy cleaning and polishing. If heavy cleaning is required, the following procedures are recommended:

- Remove as much surface dirt and film using clear water and soft cotton cloth (**as described above**).
 - Use any of the following to remove tough surface film and build-up:
 - Mild liquid detergents
 - Clear ammonia free liquid glass cleaners
 - Non-acidic, non-abrasive gentle liquid or fully dissolved powder cleansers mixed according to manufacturers directions
 - Non-abrasive liquid polishers
- Once clean, rinse faucet again with clear water to thoroughly remove cleaner or polish and blot dry with a soft cotton cloth.

Failure to follow these care instructions may damage the Faucet's finish.

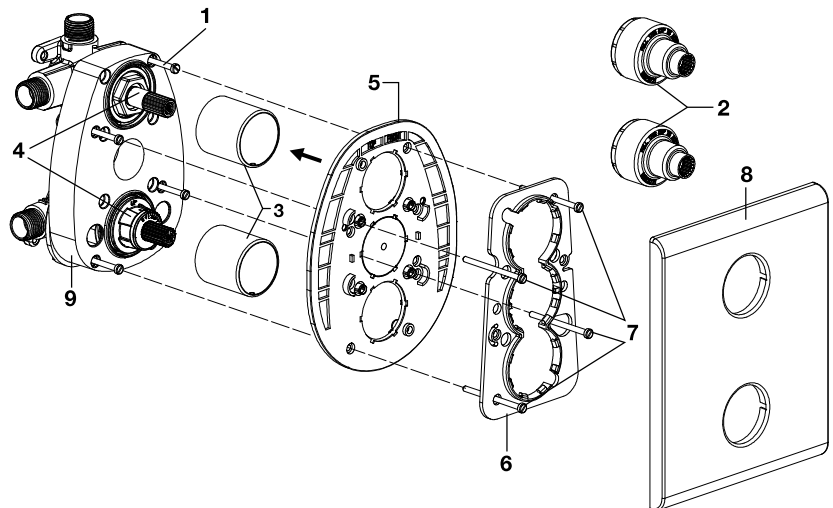
1 TRIM INSTALLATION

- Remove PLASTER GUARD (1) and the two CARTRIDGE COVERS (2).
- Push two CARTRIDGE SLEEVES (3) over the cartridges on VALVE BODY (4).
- Push ESCUTCHEON HOLDER (5) over CARTRIDGE SLEEVES (3).
- Insert four SCREWS (7) through MOUNTING PLATE (6) and ESCUTCHEON HOLDER (5) and thread in to VALVE BODY (4) where indicated by a dashed line.
- Push ESCUTCHEON (8) on to MOUNTING PLATE (6) until they are secured with the snap fitting.



2 TRIM INSTALLATION FOR THIN WALL

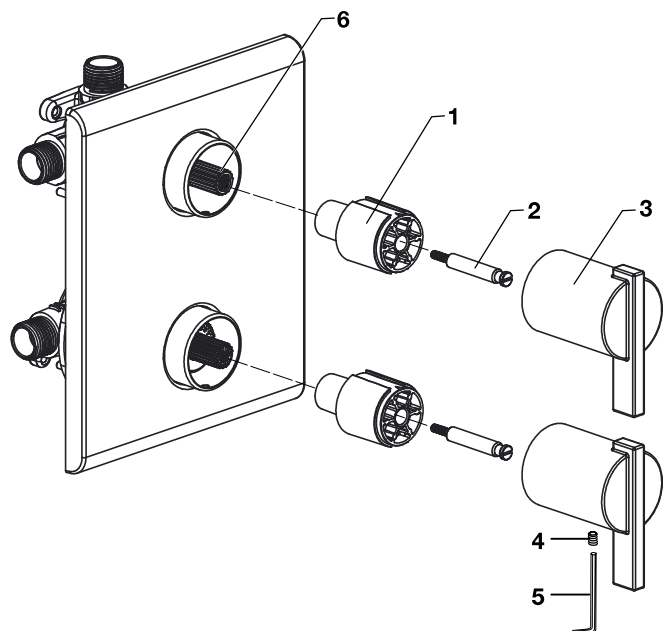
- Remove the two CARTRIDGE COVERS (2).
- Push two CARTRIDGE SLEEVES (3) over the cartridges on VALVE BODY (4).
- Remove the four PLASTER GUARD SCREWS (1).
- Push ESCUTCHEON HOLDER (5) over CARTRIDGE SLEEVES (3).
- Insert four SCREWS (7) through MOUNTING PLATE (6), ESCUTCHEON HOLDER (5), and PLASTER GUARD (9) and thread in to the VALVE BODY (4) where indicated by a dashed line.
- Push ESCUTCHEON (8) on to MOUNTING PLATE (6) until they are secured with the snap fitting.



3 HANDLE INSTALLATION

- Push the two HANDLE ADAPTERS (1) on to VALVE STEMS (6) and secure with HANDLE ADAPTER SCREWS (2).
- Push the two HANDLES (3) over HANDLE ADAPTERS (1).
- Secure the two HANDLES (3) with SET SCREWS (4) and the provided HEX WRENCH (5).

NOTE: Adjust the orientation of HANDLE ADAPTER (1) to align handles at the 6 o'clock position as pictured.

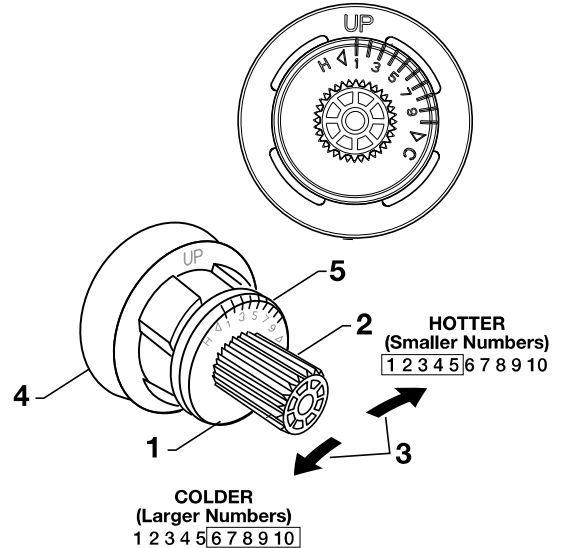


SERVICE

CAUTION Turn off hot and cold water supplies before beginning.

ADJUST HOT LIMIT STOP

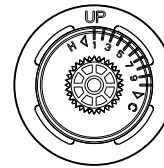
- By restricting HANDLE rotation and limiting the amount of hot water allowed to mix with the cold, the HOT LIMIT SAFETY STOP (1) reduces risk of accidental scalding. To set the maximum hot water temperature of your faucet valve, adjust the setting on the HOT LIMIT SAFETY STOP (1).
- Turn CARTRIDGE STEM (2) to the OFF position (coldest setting) before making adjustment to HOT LIMIT STOP (1). Pull forward and rotate counterclockwise one number to limit hot water temperature. Use NUMBERS (5) on CARTRIDGE (4) on HOT LIMIT STOP (1) for indication.



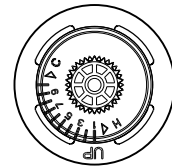
BACK TO BACK INSTALLATION

- Remove CARTRIDGE (B) as detailed in steps above.
- Remove PIN (A) from CARTRIDGE (B) by pulling.
- Separate MANIFOLD (C) from CARTRIDGE (B) by pulling.
- Rotate CARTRIDGE (B) 180 degrees and reinstall MANIFOLD (C) with PIN (A).
- The "UP" TEXT (D) should now be facing downward during installation of the CARTRIDGE (B).

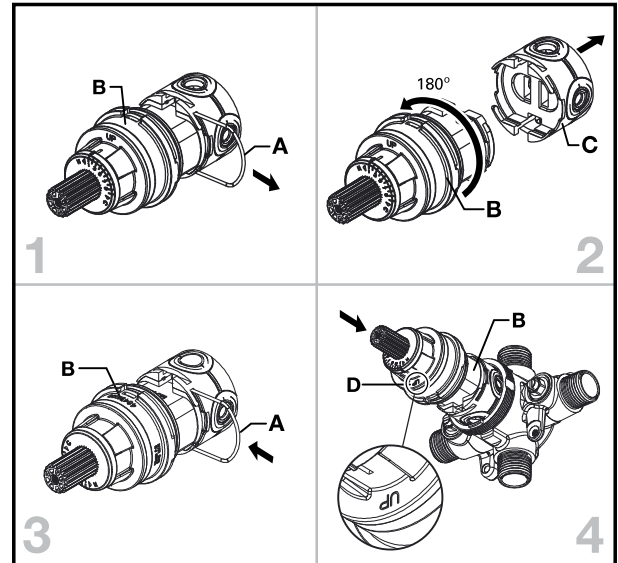
Standard



Back to Back

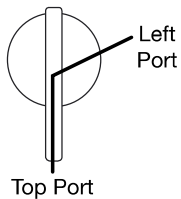


BACK TO BACK INSTALLATION

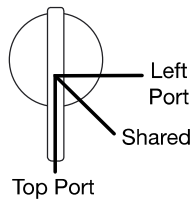


DIVERTER TYPE FUNCTION

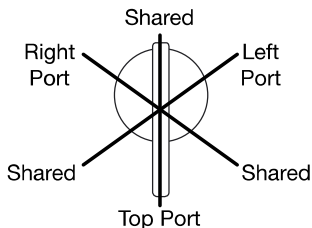
2-way discreet



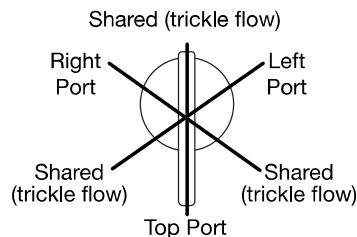
2-way shared



3-way shared



3-way discreet



HOT LINE FOR HELP

For toll-free information and answers to your questions, call:
 1 (800) 442-1902
 Mon. - Fri. 8:00 a.m. to 8:00 p.m. EST
 Saturday 10:00 a.m. to 4:00 p.m. EST
 IN CANADA 1-800-387-0369
 (TORONTO 1-905-306-1093)
 Weekdays 8:00 a.m. to 7:00 p.m. EST
 IN MEXICO 01-800-839-1200



PART OF **LIXIL**