

BECAUSE *JUST ADD WATER* IS PRETTY MUCH THE INSTRUCTIONS FOR A WONDERFUL LIFE.

Thank you for buying an American Standard faucet.

We're so grateful you did, and you will be too. Because faucets don't just bring us water—they're called upon to clean up brownie pans, luxuriated under by sleepy not-morning-people, and spit on by teeth-brushing kids. How do we know? Just like you, we've lived with that same beautiful chaos called life for almost 150 years. We believe that while every home should appreciate in value, we never forget the sentimental value that grows from enjoying life in the heart of home—your kitchen and bath. That's why we love your stories and ideas; they help us innovate with products that make your life easier.

Or, visit <https://www.americanstandard-us.com/bathroom/showers> to watch video, view/download installation manuals or learn more about your product.

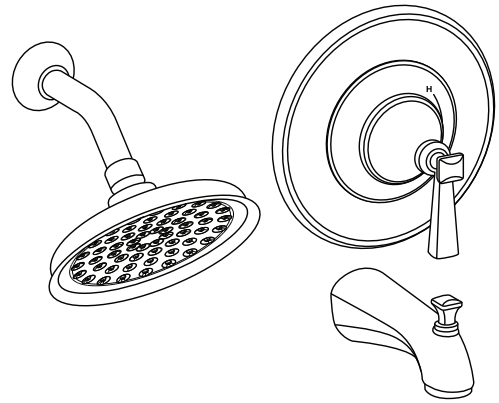
Have a question or need help on install?

For questions or help on installation call us at **855-815-0004**.

OWNERS MANUAL

Glenmere™ Pressure Balancing Bath and Shower Trim Kit

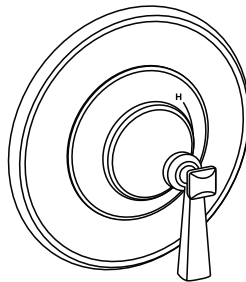
TU617508 / TU617507



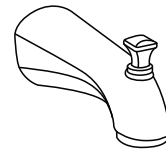
INSIDE THE BOX



Showerhead



Trim with Handle



Tub Spout
Only included in SKU
TU617508

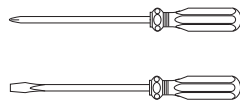
RECOMMENDED TOOLS

Installation steps will indicate which tools should be used with associated letter



Teflon
Tape

A



Phillips & Flat Blade
Screwdriver

B



Adjustable
Wrench

C



Channel
Locks

D



BEFORE INSTALLING YOUR FAUCET

Turn off hot and cold water supplies before beginning.

Image shown may vary from product purchased.

American Standard

INSTALLATION INSTRUCTIONS

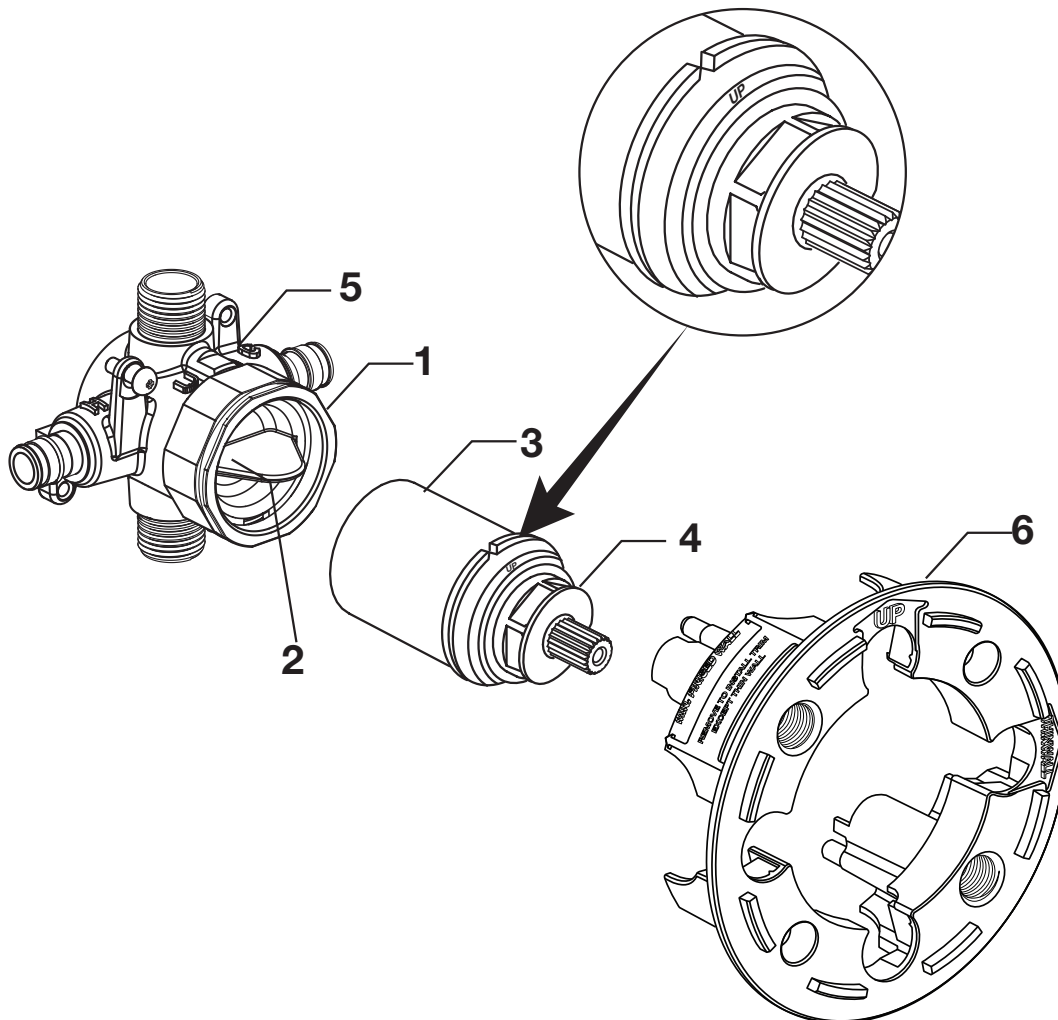
1

CARTRIDGE INSTALLATION



Turn off hot and cold water supplies before beginning.

- Remove PLASTER GUARD (6) (Keep it installed for thin wall Installation).
- Remove BONNET NUT (1) by unthreading it Counter clockwise. Remove test CAP (2).
- Remove PROTECTIVE HOUSING (3) from CARTRIDGE (4). Install with “UP” text on top.
- Reinstall BONNET NUT (1) onto VALVE BODY (5) and hand tighten.



D

2

STANDARD WALL INSTALLATION

- **Figure 1.** Remove plaster guard from valve. Push CAP (1) over VALVE CARTRIDGE (2) until seated against stop.
- **Figure 2.** Push ESCUTCHEON (3) onto CAP (1) and attach to valve body with LONG SCREWS (4).

THIN WALL INSTALLATION

- **Figure 1a.** Push CAP (1) over VALVE CARTRIDGE (2) until seated against stop.
- **Figure 2a.** Push ESCUTCHEON (3) onto CAP (1) and attach to valve body with LONG SCREWS (4).

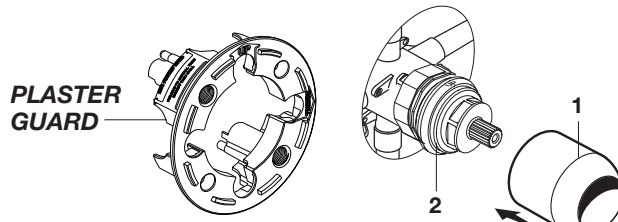


Figure 1.

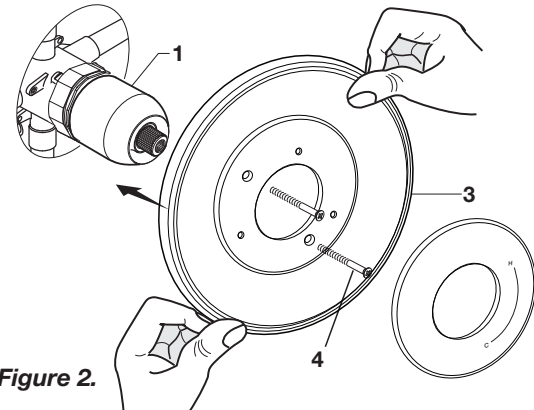


Figure 2.

C

Figure 1a.

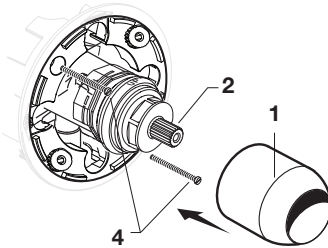
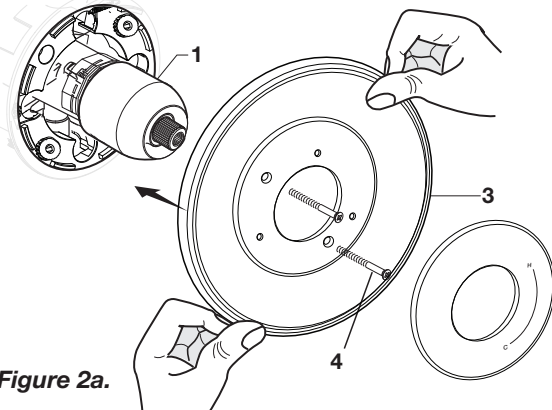


Figure 2a.



3

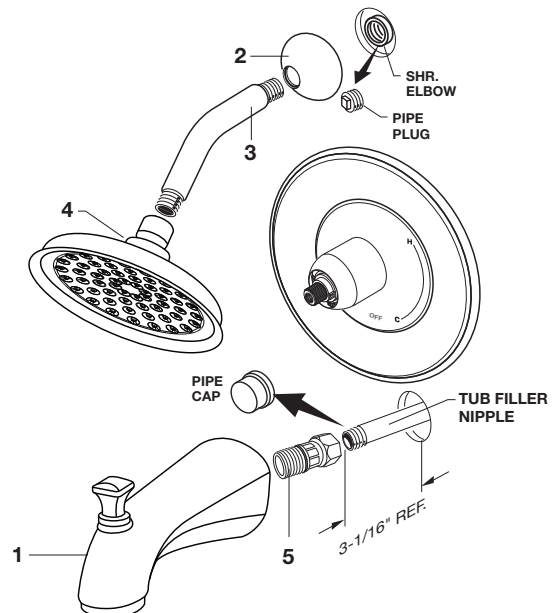
INSTALL TUB SPOUT, SHOWER HEAD, SHOWER ARM WITH FLANGE



Protect finish on Shower Head and Tub Spout when installing.

Note: ADAPTER (5) and TUB SPOUT (1) only included in SKU TU617508.

- Thread ADAPTER (5) on to the pipe. Thread TUB SPOUT (1) on to ADAPTER (5).
- Install SHOWER ESCUTCHEON (2) onto SHOWER ARM (3). Apply sealant or Teflon tape to threads on both ends of SHOWER ARM (3) and thread longer leg of SHOWER ARM (3) into shower elbow.
- Thread SHOWER HEAD (4) onto SHOWER ARM (3).
CAUTION: Protect finish on SHOWER HEAD and ARM when installing.



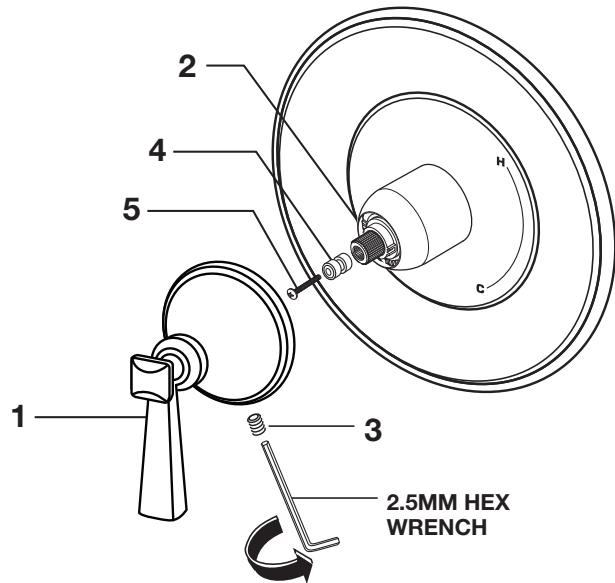
A

C

4

HANDLE INSTALLATION

- Hold ADAPTER (4) onto CARTRIDGE STEM (2) and install ADAPTER SCREW (5) through ADAPTER (4) into CARTRIDGE STEM (2). Tighten ADAPTER SCREW (5) to secure ADAPTER (4) to CARTRIDGE STEM (2).
- Install HANDLE (1) by pushing it onto CARTRIDGE STEM (2) and tightening SET SCREW (3) from below with 2.5 mm Hex Wrench supplied.

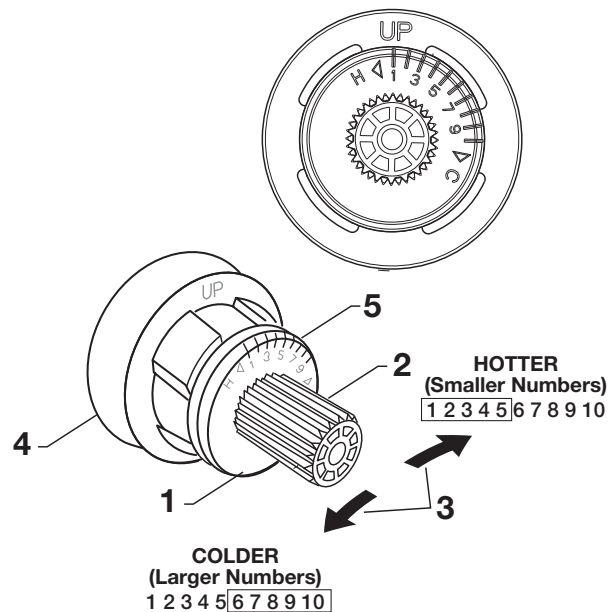


C

5

ADJUST HOT LIMIT STOP

- By restricting HANDLE rotation and limiting the amount of hot water allowed to mix with the cold, the HOT LIMIT SAFETY STOP (1) reduces risk of accidental scalding. To set the maximum hot water temperature of your faucet valve, adjust the setting on the HOT LIMIT SAFETY STOP (1).
- Turn CARTRIDGE STEM (2) to the OFF position (coldest setting) before making adjustment to HOT LIMIT STOP (1). Pull forward and rotate counterclockwise one number to limit hot water temperature. Use NUMBERS (5) on CARTRIDGE STEM (4) on HOT LIMIT STOP (1) for indication.



6

SERVICE



Turn off hot and cold water supplies before beginning.

TO GAIN ACCESS TO VALVE FOR SERVICING

- Remove HANDLE (see step 3 and reverse).
- Remove ESCUTCHEON and CARTRIDGE CAP (see step 1 and reverse).

VALVE LEAKS WHEN SHUT OFF

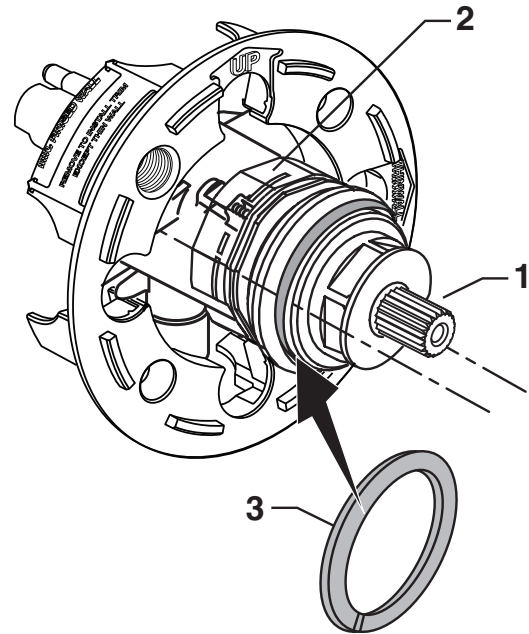
- Remove CARTRIDGE, see STEP 1 and STEP 2 and REVERSE process.
- Clean SEALS on the side of CARTRIDGE. Clean inside sealing surface of VALVE BODY.
- Re-assemble CARTRIDGE. Install trim. Turn on water supply and check for leaks.

REPLACING CARTRIDGE

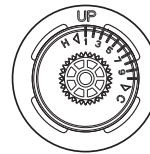
- To remove Cartridge (1), install split washer (3) between the ridge on the cartridge and the bonnet nut. (only supplied with replacement cartridge). as shown.
- Proceed to unthread bonnet nut (2) counter clockwise.
Note: Cartridge (1) should be pulling out while unthreading bonnet nut (2).
- Upon removal of the old Cartridge, install a new cartridge and secure it with bonnet nut (Hand tighten).

BACK TO BACK INSTALLATION

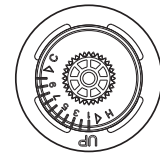
- Remove CARTRIDGE (B) as detailed in steps above.
- Remove Pin (A) from Cartridge (B) by pulling.
- Separate Manifold (C) from Cartridge (B) by pulling.
- Rotate Cartridge (B) 180 degrees and reinstall Manifold (C) with Pin (A).
- The “up” text (D) should now be facing downward during installation of the cartridge (B).



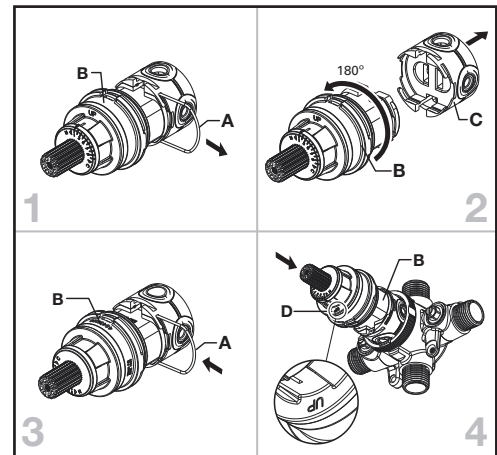
Standard



Back to Back



BACK TO BACK INSTALLATION



7

CARE INSTRUCTIONS

DO: SIMPLY RINSE THE PRODUCT CLEAN WITH CLEAR WATER. DRY WITH A SOFT COTTON FLANNEL CLOTH. **DO NOT:** DO NOT CLEAN THE PRODUCT WITH SOAPS, ACID, POLISH, ABRASIVES, HARSH CLEANERS, OR A CLOTH WITH A COARSE SURFACE.

WARRANTY

FAUCET LIMITED LIFETIME FUNCTION AND FINISH WARRANTY

FOR RESIDENTIAL INSTALLATIONS: AS America, Inc. ("American Standard®") warrants this product to be free from defects in materials or workmanship for as long as the original consumer purchaser owns this product. Proof of purchase (original sales receipt) from the original consumer purchaser must be made available to American Standard for all warranty claims. This warranty is non-transferable. It does not apply in the event of product damage due to the use of other than genuine American Standard replacement parts, installation error, abuse, misuse or improper care and maintenance (whether performed by a plumber, contractor, service provider or member of the purchaser's household). The warranty excludes damage due to aggressive air or water conditions, or harsh or abrasive cleaners and/or materials.

FOR COMMERCIAL INSTALLATIONS: For all industrial, commercial and business usage the warranty period is five years, from date of purchase and except for duration, all other aforementioned warranty terms apply. For both Residential and Commercial warranties, batteries are not included in the warranty.

FOR ELECTRONIC FAUCETS, VALVES AND CONTROLS: American Standard warrants its electronic faucets, valves and controls to be free from manufacturing defects in material and workmanship under normal use for five (5) years from the date of purchase by or for the original consumer owner. American Standard will provide free of charge, at its sole option, replacement part(s) or product (or if no longer available, a comparable product) to replace those which have proven defective in materials or workmanship.

This warranty does not cover labor charges incurred and/or damage sustained in installation, repair or replacement, nor incidental or consequential damages. This warranty is effective for all faucets sold after March 1, 2018.

THIS WARRANTY IS EXCLUSIVELY IN LIEU OF ALL OTHER WARRANTIES, INCLUDING ANY IMPLIED WARRANTIES OF MERCHANTABILITY OR FITNESS FOR A PARTICULAR PURPOSE.

This warranty gives the original consumer purchaser of an American Standard faucet specific legal rights which may vary from state to state or from province to province. In some states or provinces the exclusion or limitation of incidental or consequential damages is not allowed, so those exclusions may not apply to you.

UNITED STATES

American Standard Brands
865 Centennial Ave.
Piscataway, NJ 08854
Attention: Director of Customer Care
For residents of the United States,
warrantyinformation may also be obtained
by calling the following toll free number:
(800) 442-1902
www.americanstandard.com

CANADA

LIXIL Canada, Inc.
5900 Avebury Rd.
Mississauga, Ontario
Canada L5R 3M3
Toll Free: (800) 387-0369
americanstandard.ca/support/warranty

MEXICO

American Standard B&K Mexico
S. de R.L. de C.V.
Via Morelos #330
Col. Santa Clara
Ecatepec 55540 Edo. Mexico
Toll Free: 01-800-839-1200
americanstandard.com.mx/garantia

PLEASE COMPLETE AMERICAN STANDARD WARRANTY REGISTRATION PROCESS AND SAVE THIS WARRANTY INFORMATION

IMPORTANT: Registration of the faucet must be completed for this warranty to become effective. Your registration will make it easier to contact you in the event of a product recall.*

INSTRUCTIONS: Register your faucet at www.americanstandard.com. Please save your proof of purchase (sale receipt).

If you need assistance or do not have access to our website, please contact American Standard Customer Care at: (800) 442-1902. An American Standard representative will assist in completing the warranty registration.

*In California, your warranty rights remain intact even if you do not complete the registration process.

THIS WARRANTY IS NOT TRANSFERABLE FROM ORIGINAL CONSUMER PURCHASER.

American Standard

TELL US WHAT YOU THINK!

★ Please leave us a product review or story at americanstandard.com/reviews



Happy I purchased this faucet

08/22/2019 00:04:41 CDT American Standard [Kitchen Faucets](#) [Xavier SelectFlo Pull-Down Kitchen Faucet](#)

I enjoy the SelectFlo pull-down kitchen faucet with three spray patterns. It's a great fit, finish and overall quality has been excellent.

Register your warranty and sign up for an idea-filled newsletter at www.americanstandard-us.com/support/warranty.

Find installation videos at youtube.com/americanstandard.

SHARE YOUR NEW PRODUCT!

Tag us [@american_standard](#) on Instagram and show us how your new product looks.

WANT MORE INFO?

For questions or help call us at **855-815-0004**, or visit americanstandard.com