

BLANCO

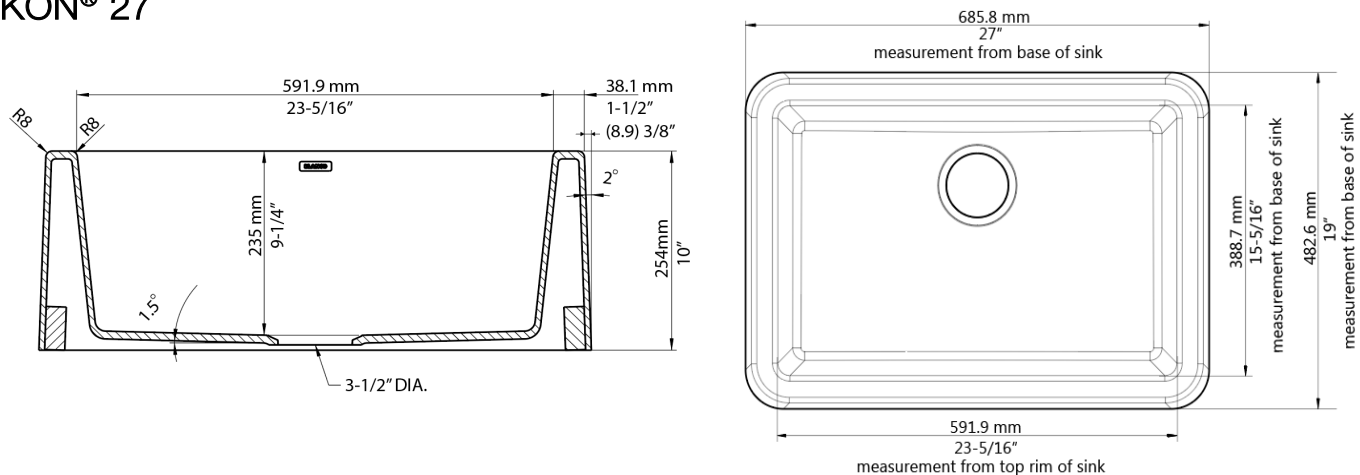
IKON® Installation Guide READ THESE INSTRUCTIONS CAREFULLY BEFORE YOU BEGIN

EXTREME CAUTION: Silgranit® sinks are very heavy. For personal safety, always use extra personnel for moving or installation.

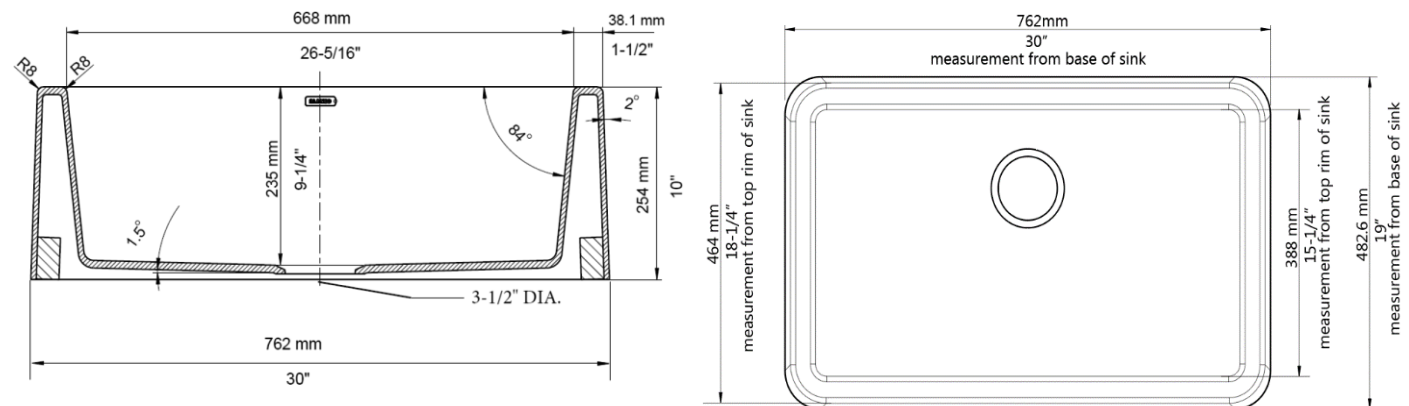
INSPECTION: BLANCO requires that the sink be thoroughly inspected for any damage prior to installation.

DIMENSIONAL DATA:

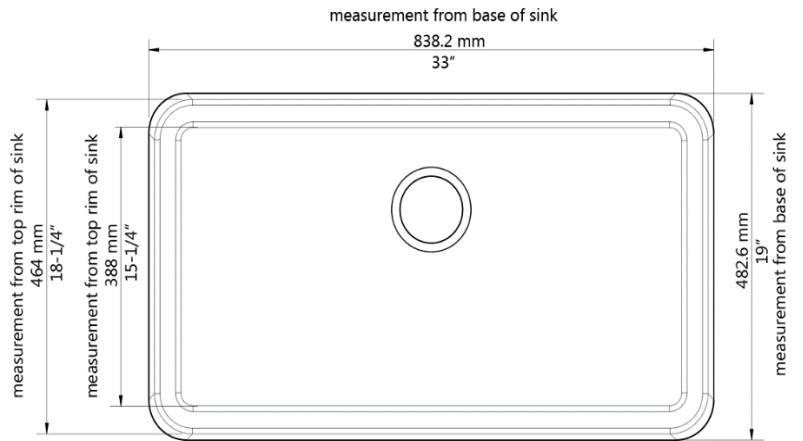
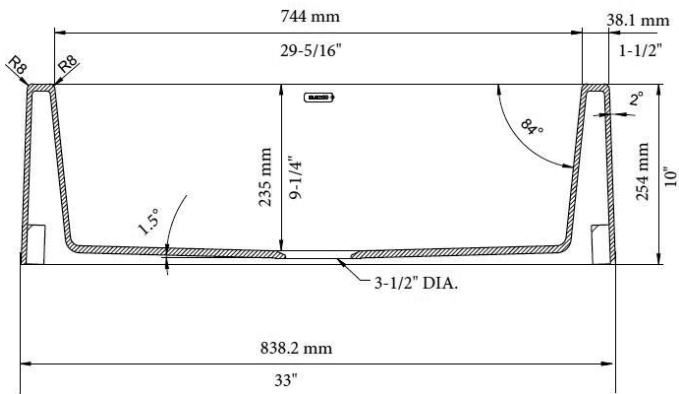
IKON® 27



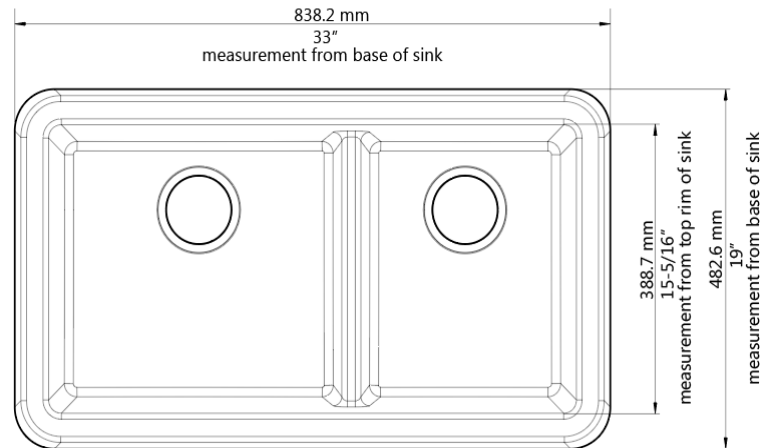
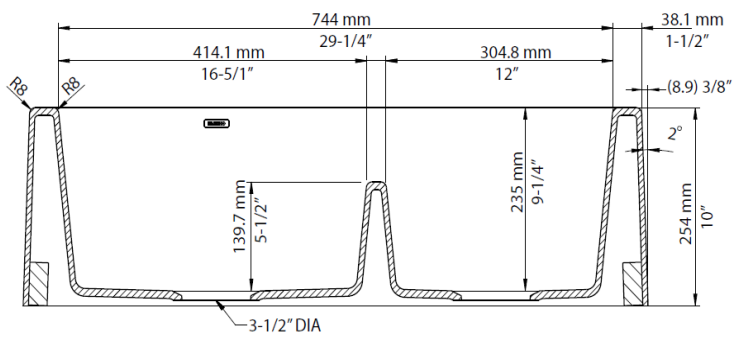
IKON® 30



IKON® 33



IKON® 33 1.75 LD



PRE-INSTALLATION PLANNING

This installation assumes the use of a custom cabinet and countertop design. BLANCO recommends that a professional installer be used.

To achieve the desired finished fit and form, it is critical that the cabinet maker, cabinet installer, and countertop fabricator fully understand the consumer's requirements regarding the final installed look. A custom sink base and support system is required for installation of BLANCO Silgranit® apron sinks. Whether the sink is used for replacement or new installation, the cabinet area beneath the sink **MUST** be reinforced to provide sufficient support. A wood or metal support frame for the sink must support 400 pounds (approximate weight of sink when full and a garbage disposal installed). Ensure you provide proper clearance for faucet, water supply lines, drain assembly, garbage disposal mounting system and the structural parts of the cabinet.

COUNTERTOP TEMPLATES ARE NOT INCLUDED and due to the unique installation requirements, we recommend that your countertop fabricator and cabinet maker reference the actual sink to be installed prior to cabinet countertop fabrication.

CABINET FRONT TEMPLATES ARE INCLUDED. Your cabinet maker can use these templates to create a custom cabinet cut that follows the draft of the sink.

All installation procedures must comply in strict accordance with applicable local plumbing and building codes.