

### FEATURED MODEL

442079 R0 Medium, 5-1/2" bowl depth

### FEATURES

- ADA Compliant for use with 33" minimum cabinet height
- Required outside cabinet: 30"
- 18 gauge, 304 series stainless steel
- Premium 18/10 chrome/nickel content
- Satin Finish
- Rear drain placement
- Sound deadening pads
- ADA specifications regarding the design of accessible area underneath the sink must be followed. Please refer to ADA guidelines to ensure compliance when deciding on cabinet, countertop, and sink combinations.

### CODE/STANDARDS COMPLIANCE

ADA: Dimensions comply with Americans with Disabilities Act  
ASME 112.19.3-00  
IAPMO/UPC listed

### WARRANTY

Blanco America's Stainless Steel sinks feature a LIMITED LIFETIME WARRANTY to be free of all manufacturing defects under normal use. See our complete warranty for details.

While Blanco America endeavors to provide accurate information, all dimensions are nominal, cannot be guaranteed, and are subject to change or cancellation. Blanco America assumes no responsibility for use of superseded or voided specifications.

### JOB INFORMATION

Job Name: \_\_\_\_\_

Contact: \_\_\_\_\_

Date Specified: \_\_\_\_\_

Specifier: \_\_\_\_\_

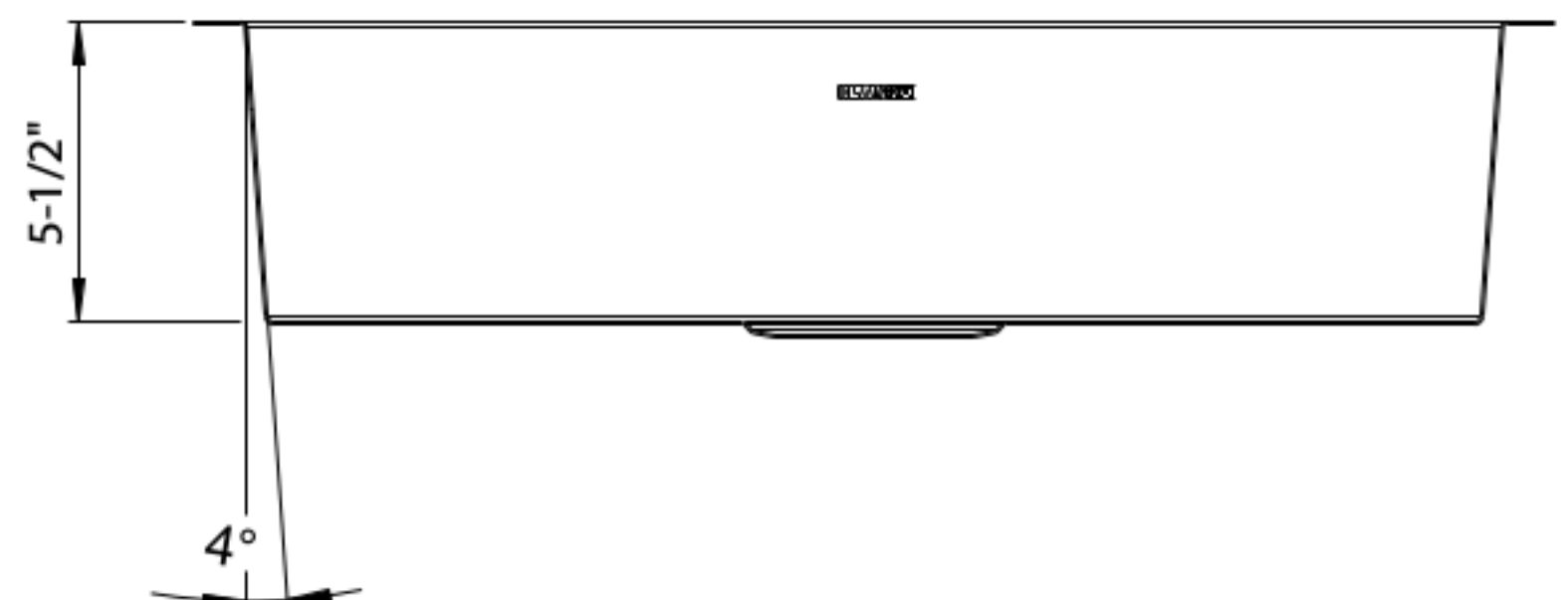
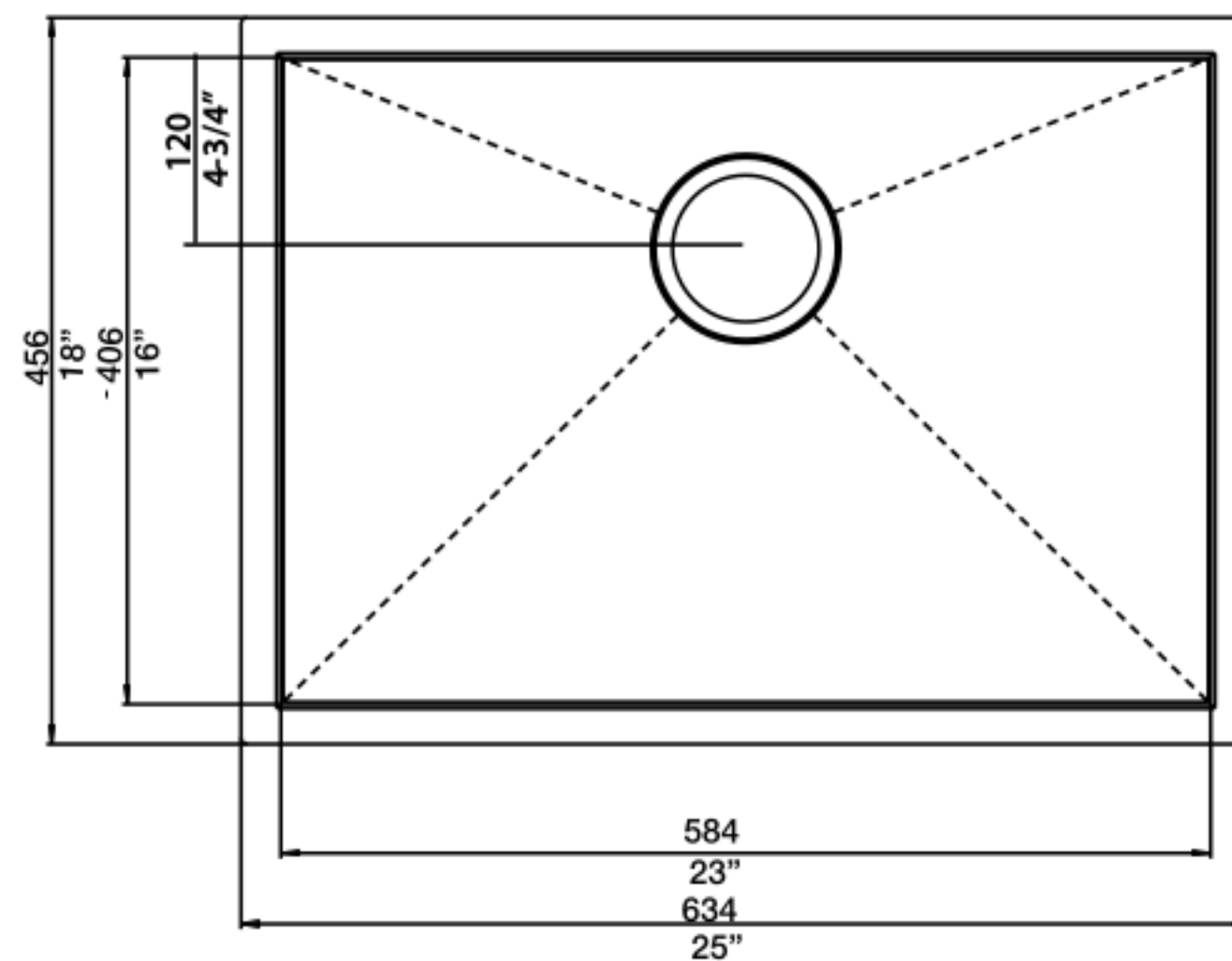
Contractor: \_\_\_\_\_



### NOMINAL DIMENSIONS

OVERALL	CUT OUT SIZE	BOWL DEPTH	DRAIN
25" x 18"	Template provided with approximate 1/8" reveal	5-1/2"	3-1/2"

DXF cutout templates available on our website.



**BLANCO AMERICA**

800.451.5782

www.blancoamerica.com

© 2015 BLANCO AMERICA

8/15

SPEC-001