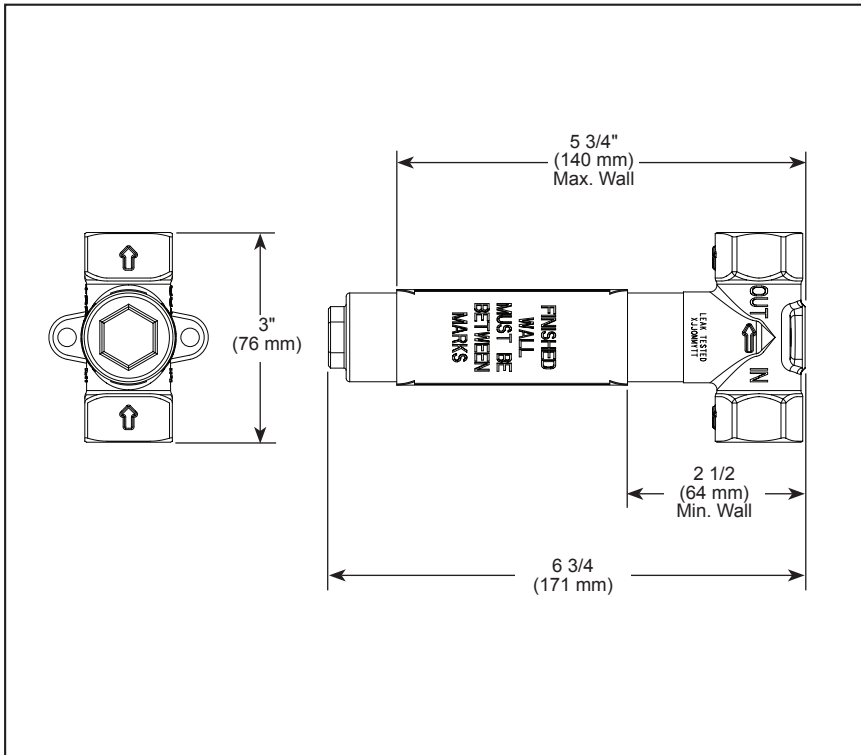


R35600



BRIZO®

SENSORI® CUSTOM SHOWER ROUGH

- Volume Control Rough
- 3/4" Rough-In

STANDARD SPECIFICATIONS

- Forged brass body
- Includes ceramic cartridge assembly
- 90° rotation
- Integrated brass stem
- Solid brass extension sleeve
- Provides precise handle alignment
- Integrated friction bearing provides smooth handle operation
- All parts are replaceable from the front
- Recommended working pressure of 45-80 psi
- Volume control flows up to 16.2 gpm @ 60 psi
- Maximum 9.6 gpm @ 60 psi per volume control when paired with Sensori Thermostatic trim
- Volume controls are required for every outlet and every set of body sprays (up to max flow)
- Volume control only. Must be used with separate temperature control device.
- Rough can accommodate up to 3 1/4" wall thickness. NOTE: some applications may require stem extender RP100304.

WARRANTY

- Parts and Finish – Lifetime limited warranty; or for commercial purchasers, 10 years for multi-family residential (apartments and condominiums) and 5 years for all other commercial uses, in each case from the date the product is received by the original purchaser or their authorized representative (installation contractor, etc.).
- Please go to www.brizo.com for the complete details of our limited warranty.

COMPLIES WITH:

- ASME A112.18.1 / CSA B125.1